A man with a beard, wearing a light blue button-down shirt, is seated in a wheelchair at a kitchen counter. He is leaning forward, using a chrome faucet to fill a white mug. The counter is dark grey and has a glass coffee maker and two white mugs with the letters 'R' and 'O' on them. The background shows white kitchen cabinets and a vase with white orchids on a shelf.

”Perfect working conditions  
– regardless your height”

## FLEXIMANUAL/FLEXICORNER

### YOUR TABLETOP WILL REACH NEW HEIGHTS

Manual height adjustable system allows you to easily adjust the tabletop for the perfect working height for people sitting or standing by using a handle.

An economic way of providing instant height adjustment, but requiring more effort than the FlexiElectric.

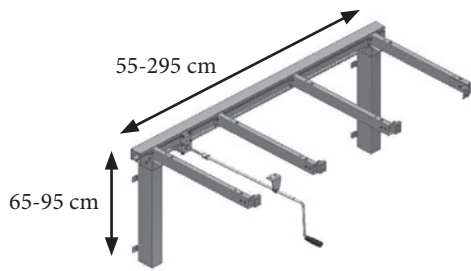
Corner solutions make it possible to have the hob, sink and preparation area adjustable all together.

The Flexi systems are ideal for private homes, schools, training kitchens, nursing homes, homes for elderly people and for people with disabilities.

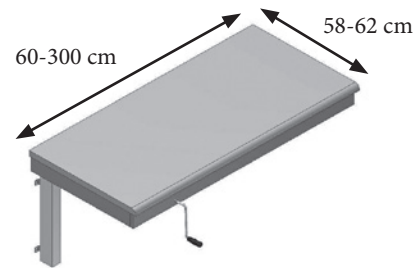
# FLEXIMANUAL/FLEXICORNER

Max. load: 150 kg evenly distributed  
 Height: 65-95 cm  
 Length: 60-300 cm  
 Colour: RAL 9010

**FlexiManual** – standard frame for worktop

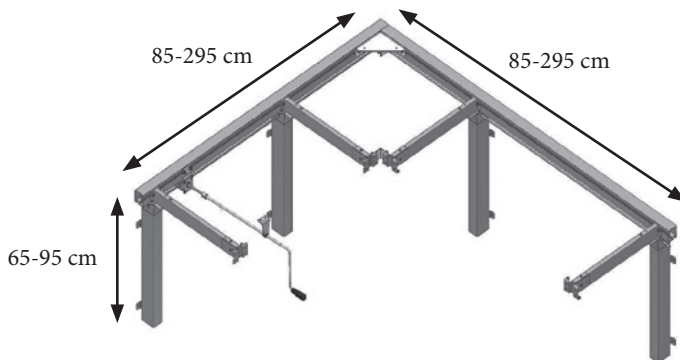


**FlexiManual** – including worktop and fascia

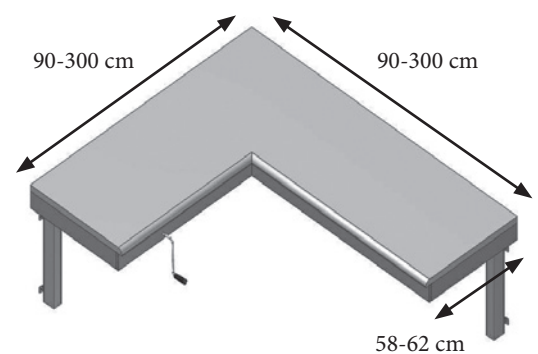


MODELS/ITEM	30-65060/ 30-65100	30-65105/ 30-65150	30-65155/ 30-65200	30-65205/ 30-65250	30-65255/ 30-65300
<b>LENGTH OF WORKTOP</b>	60-100 cm	105-150 cm	155-200 cm	205-250 cm	255-300 cm

**FlexiManual Corner** – standard frame for worktop



**FlexiManual Corner** – including worktop and fascia



## ACCESSORIES

Support arms for worktop, depth 34-72 cm  
 30-67619 – 30-67624



Cover for plumbing  
 30-67635



Sink A-400, incl. insulation plate  
 30-45007 – 40x34x14.5 cm  
 30-45008 – 40x34x10 cm



Flexible plumbing kit  
 40-25754



Fitting for concealment panels  
 30-67760



### Tips:

- In general the frame is 5 cm shorter than the tabletop.
- We recommend fascia height for 6-8 cm under the tabletop in order to hide the tabletop support arms.
- You can easily dismount the handle.

ROPOX A/S · RINGSTEDGADE 221 · 4700 NÆSTVED, DENMARK  
 PHONE: +45 5575 0500 · INFO@ROPOX.DK · WWW.ROPOX.COM

**ROPOX**<sup>TM</sup>  
 BETTER WAYS TO BETTER DAYS

The items are produced according to the following Directives and Standards: DS/EN 12182 – 2012.