



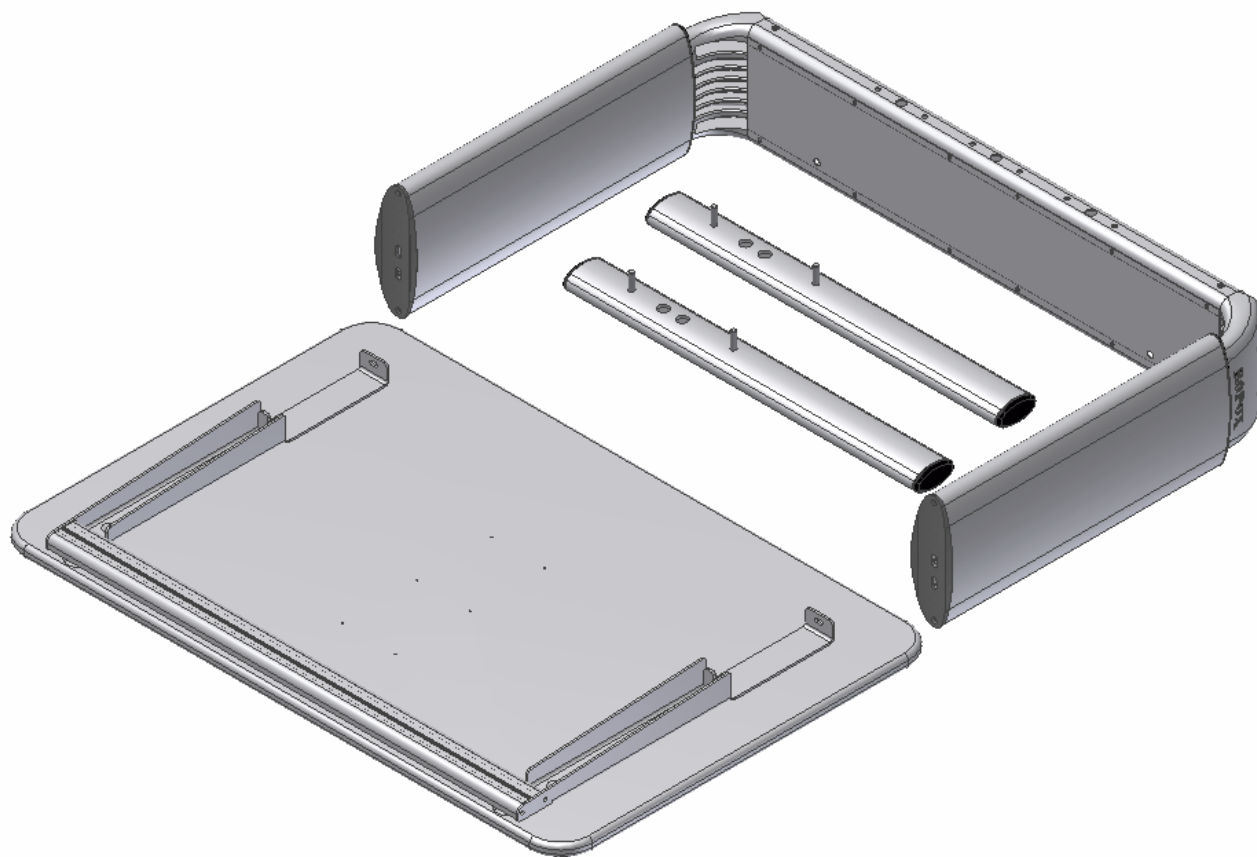
# Ropox Vision Manuel

User manual

Mounting instruction

**Keep always this folder with product!**

**Warning:**  
**KEEP TABLETOP IN BOX** during assembly of leg section,  
otherwise tabletop will be damaged & right to complain becomes void.



## Contents:

<b>1. TECHNICAL DATA</b> .....	<b>4</b>
<b>2. INTRODUCTION</b> .....	<b>5</b>
<b>3. CONFORMITY WITH EU DIRECTIVE</b> .....	<b>5</b>
<b>4. APPLICATION</b> .....	<b>5</b>
<b>5. MODELS</b> .....	<b>6</b>
<b>6. COMPONENTS</b> .....	<b>8</b>
<b>7. MOUNTING INSTRUCTION</b> .....	<b>10</b>
7.1 Mounting of legsection .....	10
7.2 Mounting of tilting fitting of tabletop (not table A) .....	11
7.3 Mounting of feet .....	12
<b>8. HEIGHT ADJUSTMENT OF TABLE</b> .....	<b>13</b>
<b>9. OPERATION OF TILTING FACILITY</b> .....	<b>133</b>
<b>10. MOVING THE TABLE</b> .....	<b>14</b>
<b>11. MAGRULE (ACCESSORIES)</b> .....	<b>14</b>
<b>12. MOUNTING OF ARMSUPPORT (ACCESSORIES)</b> .....	<b>15</b>
<b>13. PERFORMANCE TEST</b> .....	<b>16</b>
<b>14. SAFETY IN USE</b> .....	<b>16</b>
<b>15. CLEANING/ MAINTENANCE</b> .....	<b>17</b>
15.1 Cleaning of frame.....	17
15.2 Cleaning of tabletop, laminate.....	17
15.3 Maintenance .....	17
<b>16. FAULT FINDING</b> .....	<b>18</b>
16.1 The table seems loose or unstable .....	18
16.2 The height/tilting cannot be adjusted (adjustment is very difficult) .....	18
<b>17. ACCESSORIES</b> .....	<b>19</b>
<b>18. COMPLAINTS</b> .....	<b>20</b>

## 1. Technical data

<b>Product name:</b>	<b>Ropox Vision Manual</b> Type A, B, C, D, E, F, G 90x60 cm, 120x60 cm
<b>Item numbers:</b>	20-60XXX-11
<b>Height range:</b>	60–90 cm (manual) incl. tabletop
<b>Frame material:</b>	Aluminium leg. 606045-T6 Steel St. 37 Various plastic components
<b>Tabletop:</b>	Laminate
<b>Surface treatment:</b>	Anodic coating Powder coating Chromating
<b>Max. Load on the table (static):</b>	100 kg evenly distributed over the entire tabletop
<b>Max. Load during lifting (dynamisk):</b>	50 kg
<b>Max. load on the tabletop tilted (static):</b>	30 kg
<b>Max. load during tilting the tabletop (dynamic):</b>	4 kg
<b>Temperature:</b>	5-45° C
<b>Air humidity:</b>	5-85 % (non-condensing)
<b>Complaints:</b>	See complaints, page 21
<b>Manufacturer:</b>	Ropox A/S, DK-4700 Naestved, Tlf.: +45 55 75 05 00 E-mail: <a href="mailto:info@ropox.dk">info@ropox.dk</a> , <a href="http://www.ropox.dk">www.ropox.dk</a>

## 2. Introduction

VISION is the new range of modern height-adjustable Ropox tables. In our opinion a product must be functional and beautiful – no matter who is going to use it. That's what we call VISION.

Vision is available in several sizes to suit individuals and carers needs. Sufficient legspace makes the table ideal for wheelchair users and gives the therapist optimum working conditions in a training situation. Due to the unique design with rounded corners there is no danger of hitting sharp edges when moving round the table and two inconspicuous castors at the back, make it easy to draw the table closer to the user. As an option extra arm supports may be clipped on and off as required.

Vision meets all needs and ensures ergonomically correct working positions for people with or without disability.



This document should always accompany the product and be read by and be available to the user.

Correct use, operation and inspection are decisive factors for efficient and safe performance.



As this product is adjustable in height there is a risk of squeezing. The product must therefore always be operated by or under the guidance of an experienced adult, who has read and understood the importance of section 14 "Safety in use".

It is very important that there are no obstacles between the tilted tabletop and the frame to prevent any change of entrapment.

## 3. Conformity with EU Directive and UK Directive

This product has CE marking and is thus in accordance with the basic requirements concerning functionality and safety of the current EU Directive.

This product has UKCA-marking according to the current Directives and thus complies with the basic safety requirements.

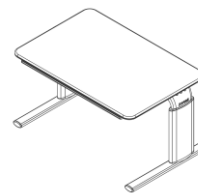
## 4. Application

Vision is designed to obtain optimum working height for the user. It is an activity table not intended for lifting people or objects.

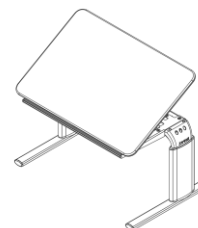
Vision should be used indoor, at temperatures and humidity as described in section 1.

## 5. Models

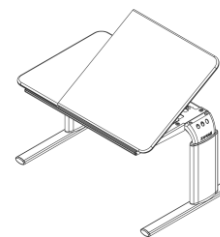
Model name	Description	Size	Height 60-90cm
Vision Manual A	Without tilting of tabletop	90x60cm	20-60020-11
Vision Manual A	Without tilting of tabletop	120x60cm	20-60220-11



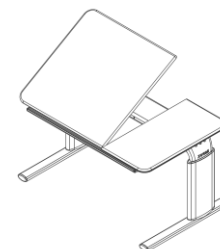
Model name	Description	Size	Height 60-90cm
Vision Manual B	With tilt, entire tabletop	90x60cm	20-60021-11
Vision Manual B	With tilt, entire tabletop	120x60cm	20-60221-11



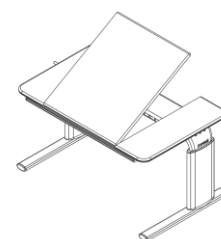
Model name	Description	Size	Height 60-90cm
Vision Manual C	Divided tabletop, right side tilt section	90x60cm Fixed plate : 30cm Adjustable plate: 60cm	20-60022-11
Vision Manual C	Divided tabletop, right side tilt section	120x60cm Fixed plate : 30cm Adjustable plate: 90cm	20-60222-11



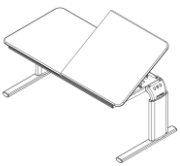
Model name	Description	Size	Height 60-90cm
Vision Manual D	Divided tabletop, left side tilt section	90x60cm Fixed plate: 30cm Adjustable plate: 60cm	20-60023-11
Vision Manual D	Divided tabletop, left side tilt section	120x60cm Fixed plate : 30cm Adjustable plate: 90cm	20-60223-11



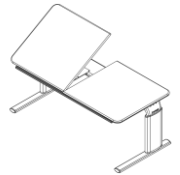
Model name	Description	Size	Height 60-90cm
Vision Manual E	Divided tabletop, middle tilt section	90x60cm Fixed plate: 20cm Adjustable plate : 50cm Fixed plate : 20cm	20-60024-11
Vision Manual E	Divided tabletop, middle tilt section	120x60cm Fixed plate: 30cm Adjustable plate: 60cm Fixed plate: 30cm	20-60224-11



<b>Model name</b>	<b>Description</b>	<b>Size</b>	<b>Height 60-90cm</b>
Vision Manual F	Divided tabletop, right side tilt section	120x60cm Fixed plate: 60cm Adjustable plate: 60cm	20-20225-11



<b>Model name</b>	<b>Description</b>	<b>Size</b>	<b>Height 60-90cm</b>
Vision Manual G	Divided tabletop, left side tilt section	120x60cm Fixed plate : 60cm Adjustable plate: 60cm	20-60226-11



## 6. Components

Leg section 1 stk.

*Contains:*

### Beam:

90x60cm: 20-60401-050, 1 pc.

120x60cm: 20-60401-051, 1 pc.

### Leg height 60-90cm:

20-60320-542, 1 pc.

20-60320-544, 1 pc.

Screws M6x16, 95010618, 4 pcs.

Screws M8x30, 95010830, 4 spcs.

### Feet mounted with plugs and adjusting screws

90x60cm: 20-60320-045 2 pcs.

120x60cm: 20-60320-045 2 pcs.

Tabletop 1 pc.

*Contains:*

### Tabletop:

A 90x60cm: 64109060

B 90x60cm: 64109061

C + D 90x60cm: 64109062

E 90x60cm: 64109064

A 120x60cm: 64112060

B 120x60cm: 64112061

C + D 120x60cm: 64112062

E 120x60cm: 64112064

F + G 120x60cm: 64112065

### Support arms 90x60/120x60 cm:

Right: 20-60320-168 1 pc.

Left: 20-60320-165 1 pc.

### Front profile:

90x60cm: 20-60320-077 1 pc.

120x60cm: 20-60320-108 1 pc.

### Tabletop bracket (not for table B):

90x60cm: 97702-034 1 pc.

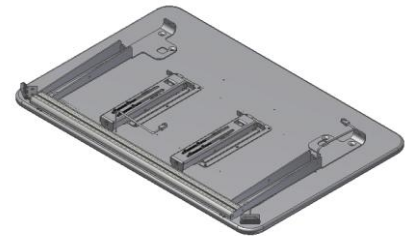
120x60cm: 97702-034 1-2 pcs.

### Hinges for tabletops (not for table A):

20-60320-140 2 pc.

### Tilting 90x60cm:

B: 20-60320-026, 2 pcs.



C+D+E: 20-60320-026, 1 pc.  
Tilting 120x60cm:  
B-G: 20-60320-026, 2 pcs.

**Gearbox for tilting 90x60cm:**

B: 96000656, 2 pcs.  
C+D+E: 96000656, 1 pc.

**Gearbox for tilting 120x60cm:**

B-G: 96000656, 2 pcs.

Allen key 4mm 95001019: 1 pc.

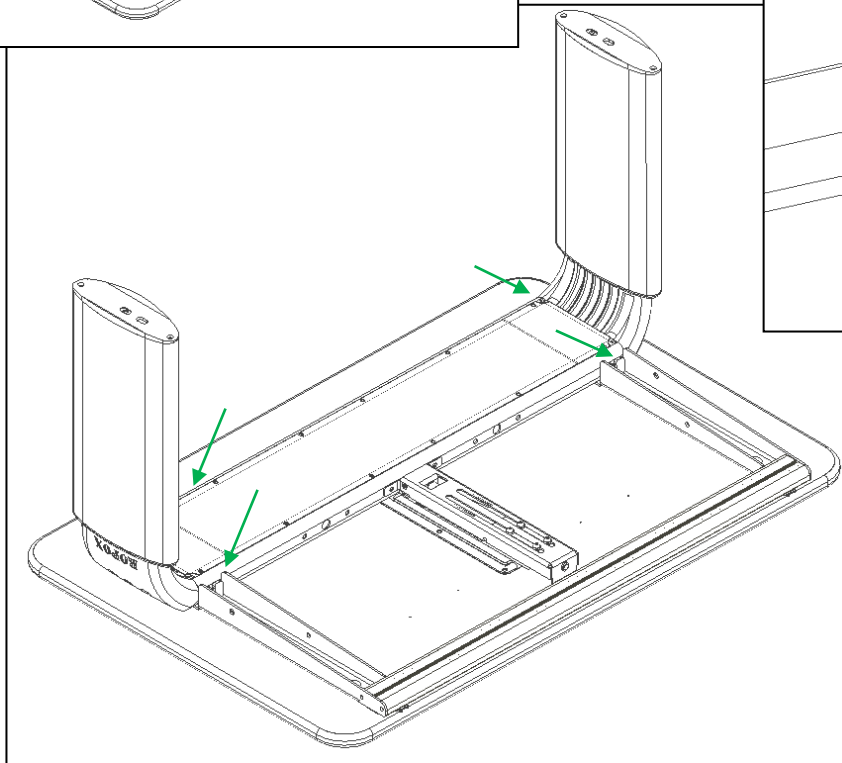
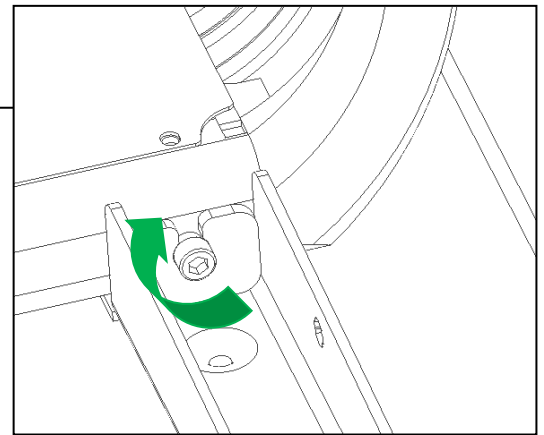
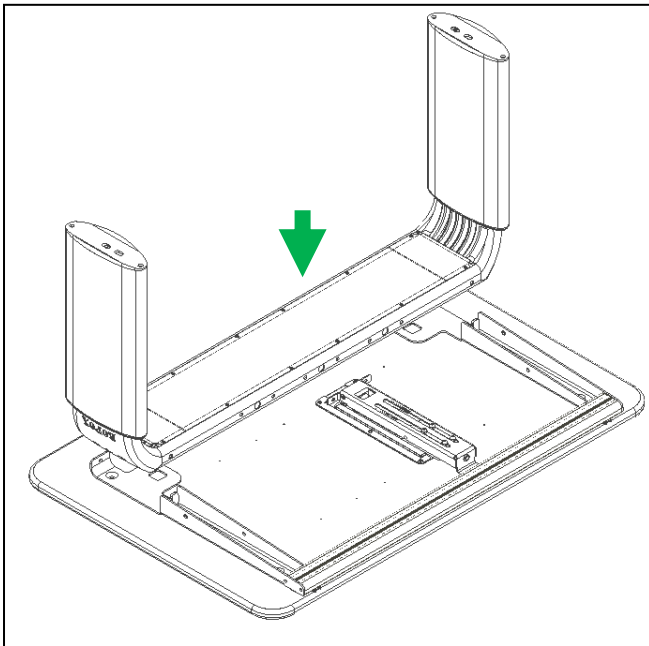
Allen key 6 mm 95000006: 1 pc.

Handle: 1 pc.



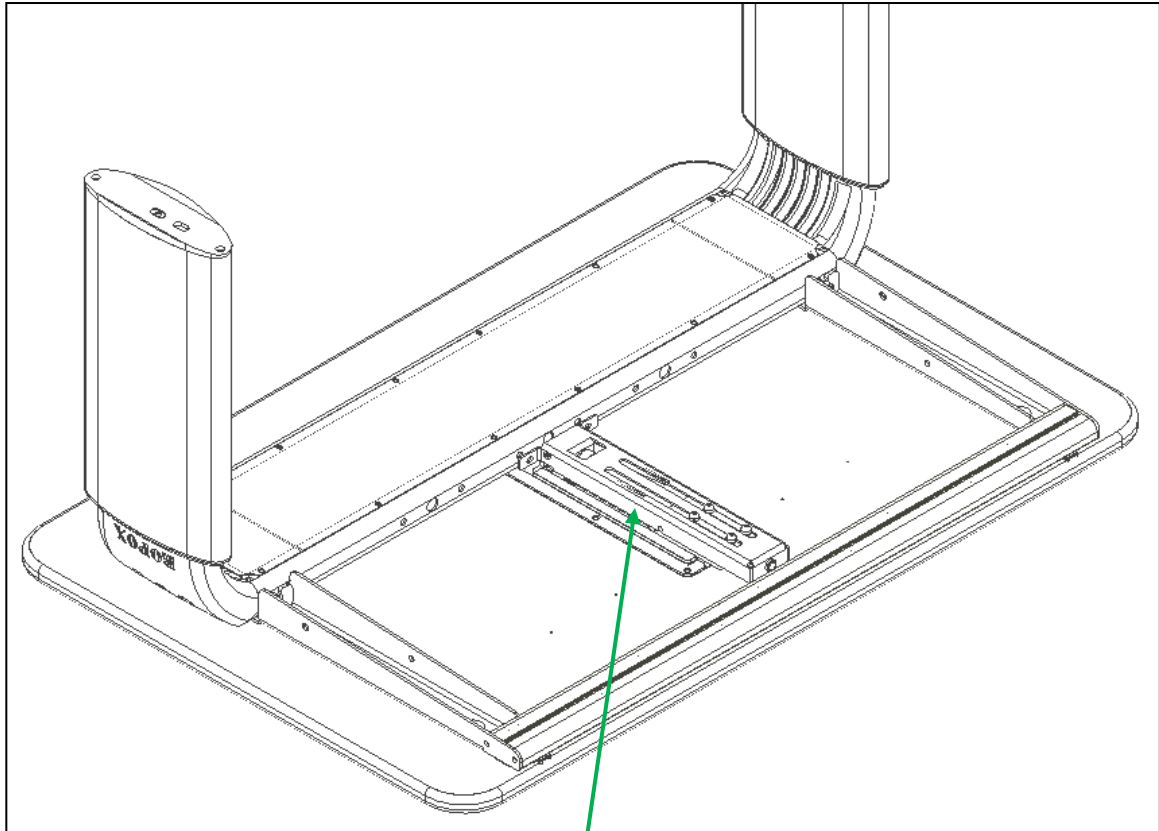
## 7. Mounting instruction

### 7.1 Mounting of legsection



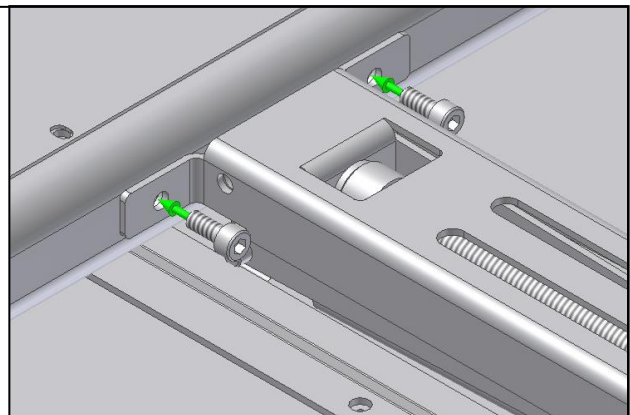
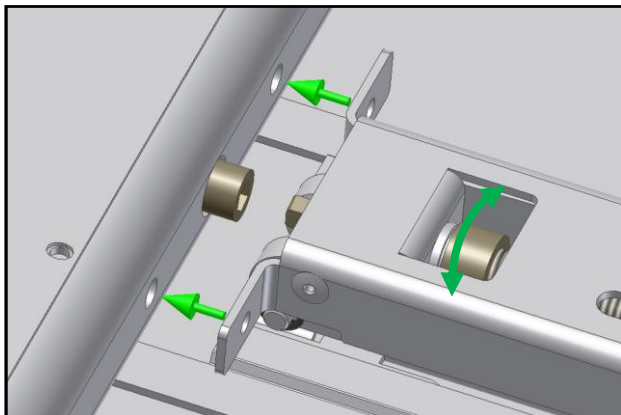
7.2

Mounting of tilting fitting of tabletop (not table A)



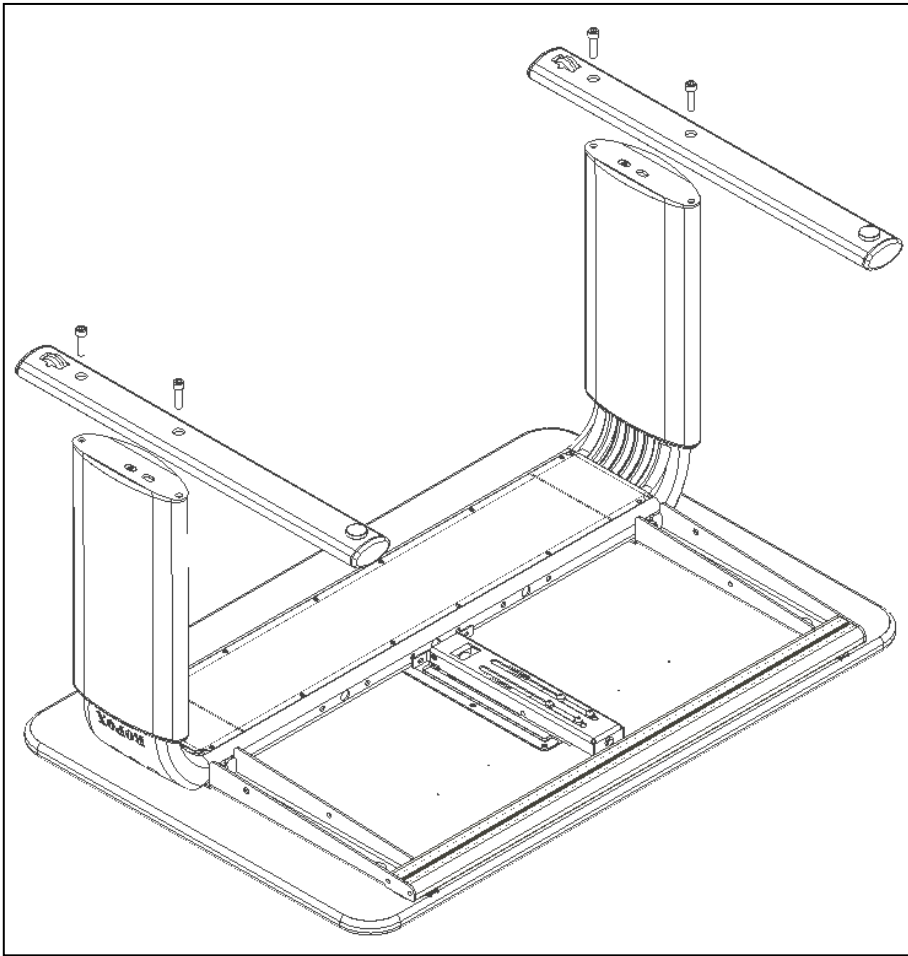
1

2



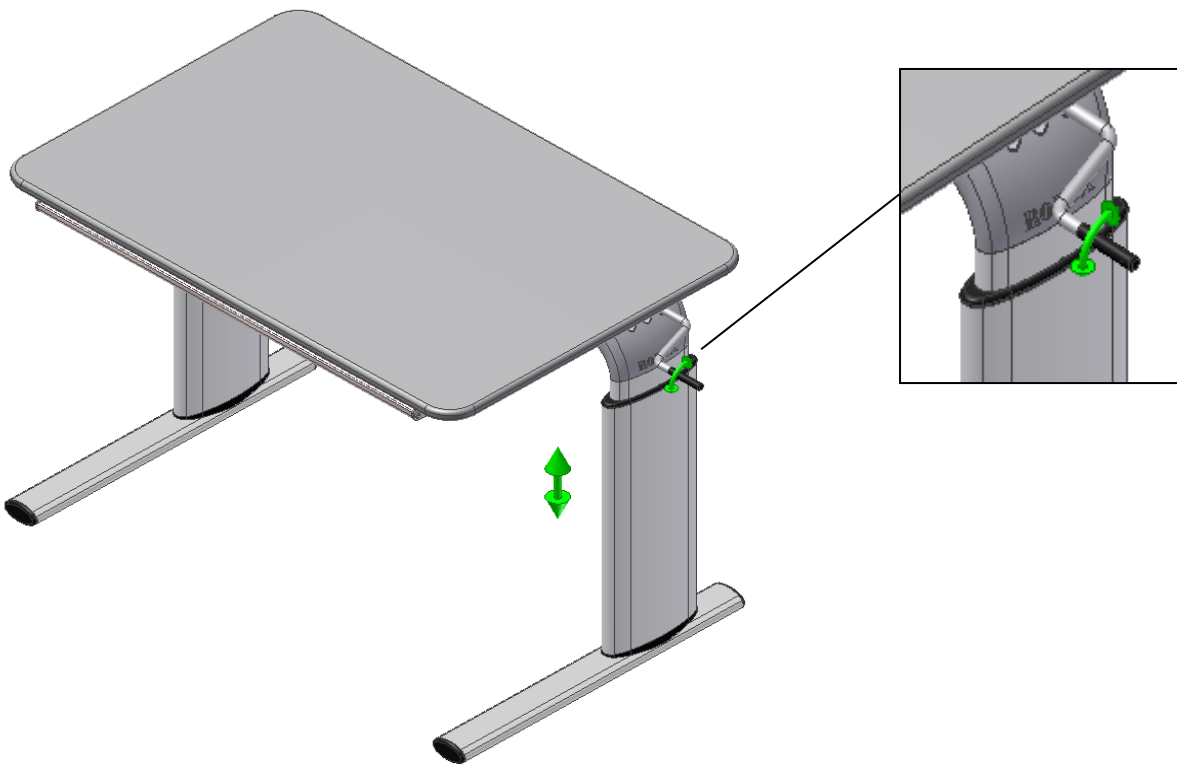
7.3

Mounting of feet

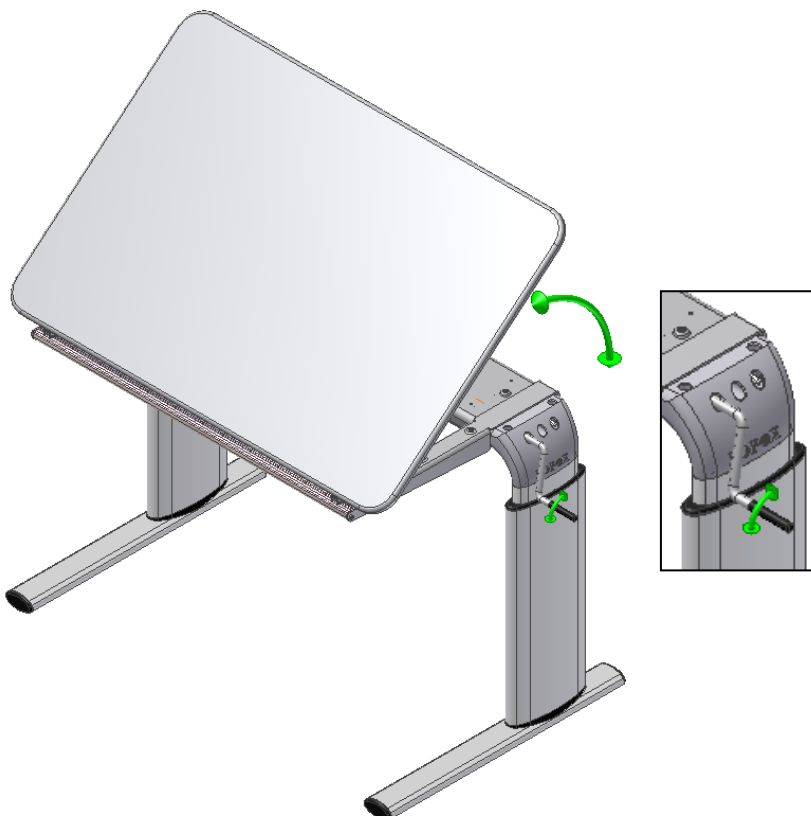


M8x30

## 8. Height adjustment of table

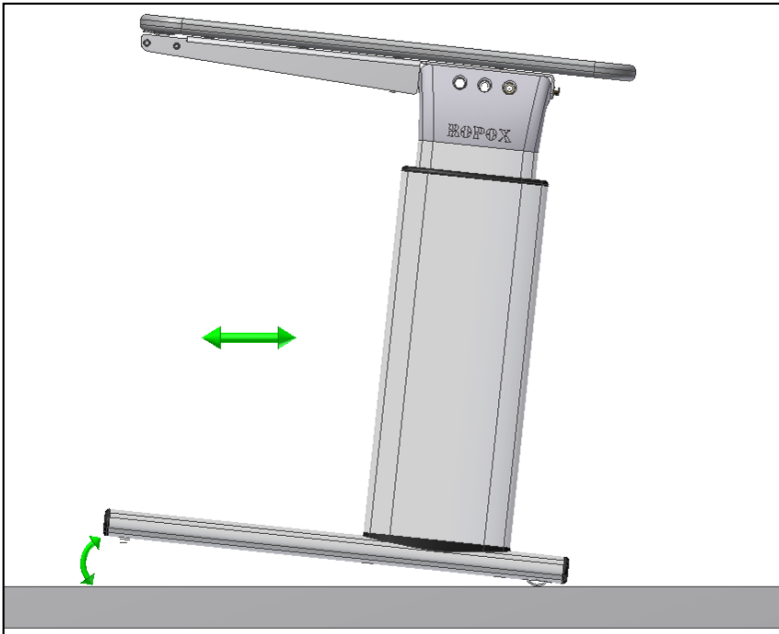


## 9. Operation of tilting facility

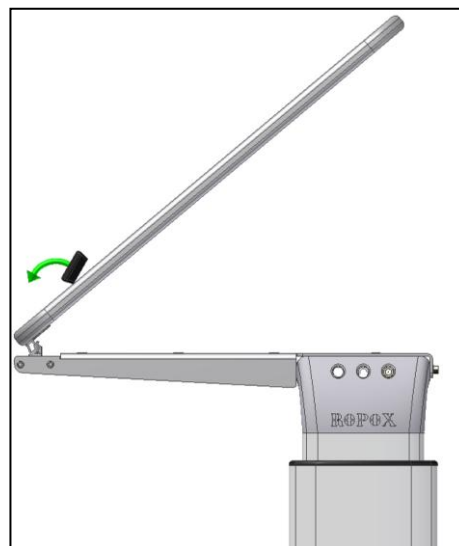


## 10. Moving the table

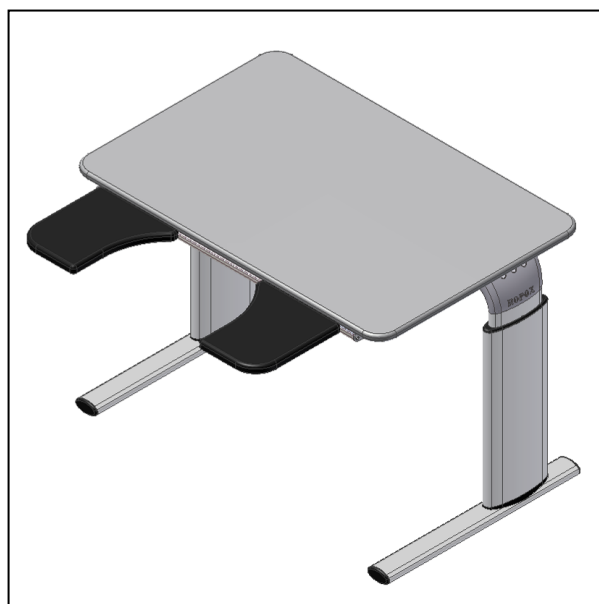
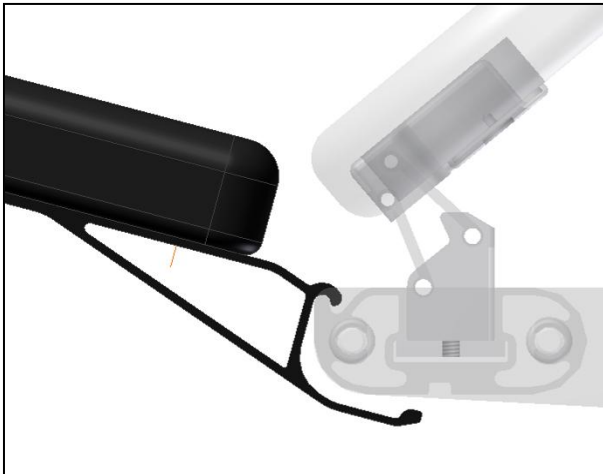
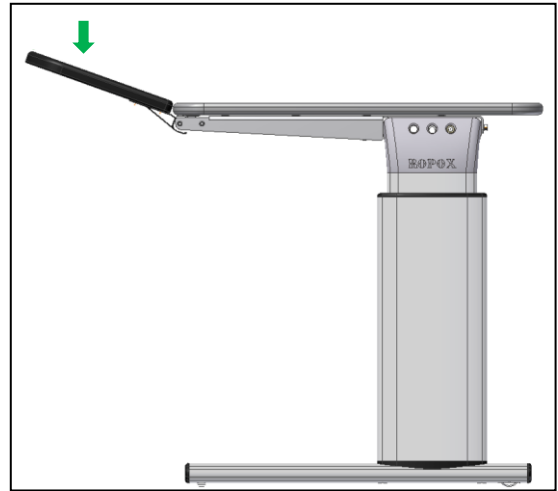
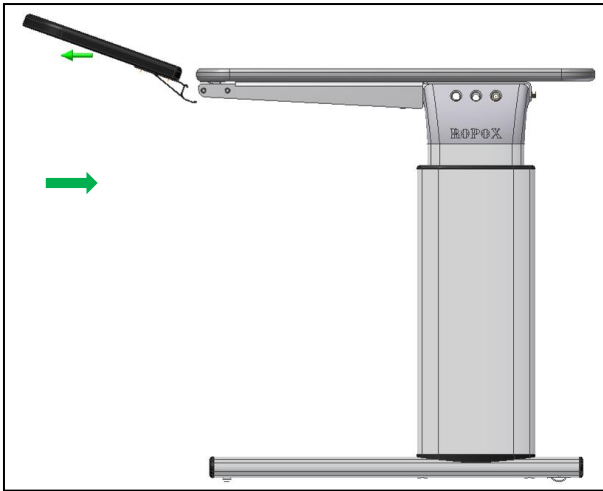
By lifting the table slightly in the front, it can easily be pushed around.



## 11. Magrule (accessories)



## 12. Mounting of armsupport (accessories)



### 13. Performance test

After completed installation and before use, all functions of the table must be tested. After that, a performance test must be carried out at least once a year by competent personnel.

1. Check that the mounting instructions have been observed.
2. Check that all bolts have been tightened.
3. Make sure that there is no load on the table.
4. Make sure that there are no objects or the like preventing the table from moving unhindered within the range of height adjustment.
5. Place the handle as illustrated in the manual and adjust the table to bottom position. Check that the movement is even and smooth.
6. Now adjust the table to top position and check that the movement is even and smooth.  
If tilt fitting is mounted:
7. Place the handle for the tilt fitting according to the "user guide" and tilt the tabletop to the upright and down position. Check that the movement is even and smooth.

When these tests have been carried out successfully, the table is ready for use. See "Safety in use", Section 14.

### 14. Safety in use

- Vision must only be used by persons, who have read and understood these instructions.
- Vision is an activity table and must not be used as a lifting table or person lifter.
- When using the table with arm supports, verify that the supports are correctly placed and stable before using the product.
- When using a table with a separate tilting-plate, pay special attention to never have any objects or body parts between the two table edges during use of the product.
- When using a table with a tilting plate, avoid leaning against the raised table edge.
- If the table has caster wheels, it is recommended to always have the casters locked whenever the table is not being moved. This is to avoid any risk associated with unintentional movement of the table.
- Always use the table in a manner excluding the risk of damage to persons or property. The person operating the table is responsible for avoiding damage or injury.
- Make sure that there is free space above and below the table to allow height adjustment.
- Do not operate the table in case of defects or damage.
- Do not overload the table and ensure that the load distribution is correct.
- During inspections, service or repairs any load must be removed from the table.
- Modifications, which may influence the performance or design of the table, are not allowed.
- Assembly, service and repairs must be carried out by competent personnel.
- If the table has not been assembled according to these mounting instructions, the guarantee may become void.
- Only use Ropox original spare parts for replacement. If other spare parts are used, the guarantee may become void.

## 15. Cleaning/ maintenance

### 15.1 Cleaning of frame

Dry the frame with a wrung cloth with lukewarm water and a mild detergent. Do not use Enchants or abrasives or grinding cloths, brushes or sponges.

After cleaning, dry the frame.

Disinfection of the frame may be done with household spirits.

### 15.2 Cleaning of tabletop, laminate

Clean the laminate tabletop with a soft cloth wrung in hot water with a liquid detergent, which is not sulfonated, as this will result in a greasy surface. Stains that cannot be removed with water may often be removed with equal parts chlorine and water or with acetone. When using these materials, be aware of airing of the room and make sure that the frame does not get in touch with these cleaning materials.

Stains from felt-tip pens may be removed by means of ordinary denatured alcohol. Pencil strokes should be removed with a piece of eraser. Certain chemicals, ink and strongly coloured fruit juices may – if they are left on the table top for a longer period – result in discoloration as the colour pigments stick to the surface.

Never use steel wool, scouring powder or cleaning materials, which leave a film on the surface, e.g. yellow soap.

After cleaning, it is recommendable to wash the surface with a cloth wrung in clean water and dry with a soft cloth.

Disinfection of the tabletop may be done with household spirits.

### 15.3 Maintenance



Inspections, service and repairs must be carried out by competent personnel

The frame is maintenance-free and moving parts have been lubricated for life. For reasons of safety and reliability, we recommend inspection of the frame once a year:

- Check that all bolts have been securely fastened.
- Check that the table moves from bottom to top position without problems.

Only use Ropox original spare parts for replacement. If other spare parts are used, the guarantee may become void.

## **16. Fault finding**

### **16.1 The table seems loose or unstable**

- The assembly screws have not been securely tightened.
- Retighten all screws, cf. mounting instructions.

### **16.2 The height/tilting cannot be adjusted (adjustment is very difficult)**

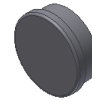
- Check that there is no load on the table.
- Check the table for physical overloading or damage.

## 17. Accessories

Magrule 50 cm:  
Item number 20-60541



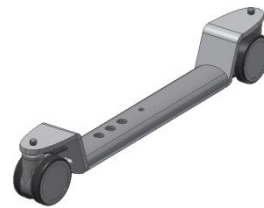
Magnet, White round magnet:  
Item number 50200-000



Castors, 4 pcs, increase height 8cm:  
Mounted by Ropox, Item number 20-60570  
For remounting, Item number 20-60575



Castors without height increase:  
Mounted by Ropox, Item number 20-60573  
For remounting, Item number 20-60572



Arm support standard  
Item number 20-60520



Arm support, locable  
Item number 20-60516



## 18. Complaints

We refer to our general Terms of sale and delivery on our homepage [www.ropox.com](http://www.ropox.com)

### **ROPOX A/S**

Ringstedgade 221  
DK – 4700 Næstved  
Tel.: +45 55 75 05 00  
E-mail: [info@ropox.dk](mailto:info@ropox.dk)  
[www.ropox.dk](http://www.ropox.dk)