



# Ropox Folding shower seat

User manual

Installation guide




**This manual must always accompany the product**

# Table of Contents


---

<b>1. Symbols used in this manual .....</b>	<b>3</b>
<b>2. General safety .....</b>	<b>3</b>
2.1 Product Unit label .....	5
<b>3. General requirements.....</b>	<b>6</b>
3.1 Product information .....	6
3.2 Product description .....	6
3.3 Intended use.....	6
3.4 Intended operator .....	6
3.5 Options .....	7
3.6 Dimensions .....	8
<b>4. Mounting instructions .....</b>	<b>9</b>
4.1 Installation interfaces .....	9
4.2 Mounting instructions for shower seat without leg .....	10
4.3 Mounting instructions for shower seat with leg .....	13
<b>5. User instructions .....</b>	<b>17</b>
5.1 Folding away after use.....	17
5.2 Safety in use .....	17
<b>6. Maintenance .....</b>	<b>17</b>
6.1 Cleaning.....	17
6.2 Troubleshooting .....	19
<b>7. Environmental protection .....</b>	<b>19</b>
<b>8. Spare parts .....</b>	<b>20</b>
<b>9. Complaints .....</b>	<b>21</b>

# 1. Symbols used in this manual

<b>Warning Symbol</b> Indication of potentially hazardous situation. If not avoided, it can result in serious injury or death.	
<b>Caution Symbol</b> Indication of potentially hazardous situation which may result in minor or moderate injury. It may also be used to alert against unsafe practices.	
<b>Notification Symbol</b> This symbol is used to notify correct use and handling of the product.	

## 2. General safety

	<p>This manual must be read and understood before use. Always keep this manual in close proximity of the product.</p> <p>The use, installation and service of this product must be in compliance with this manual to avoid accidents and serious personal injury.</p> <p>Never use or handle this product in other ways specified in this manual as it can result in personal safety hazards and/or cause damage to the product.</p> <p>Persons installing and/or using this product either as operator or user should have the necessary safety information and access to this manual.</p>
--	---



Do not perform repairs, disassembly or assembly operations, add-ons, re-adjustments or modification of the product beyond what is described in this manual. These must be carried out by Ropox or Ropox authorized personnel. Do not perform service while in use.

This appliance can be used by children aged from 8 years and above and persons with reduced physical, sensory or mental capabilities or lack of experience and knowledge if they have been given supervision or instruction concerning use of the appliance in a safe way and understand the hazards involved. Children shall not play with the appliance. Cleaning and user maintenance shall not be made by children without supervision.

Do not use the product if it has defects or have become damaged before being repaired or replaced.

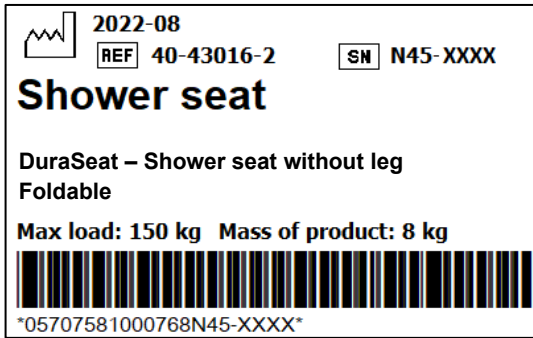
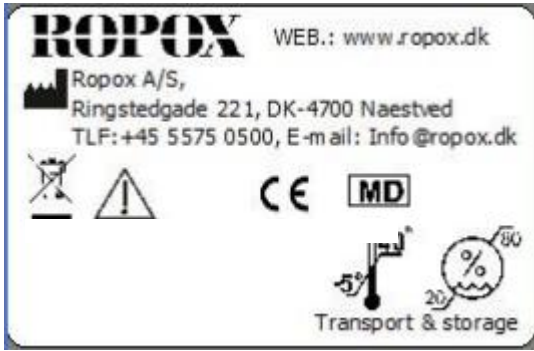









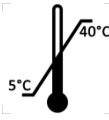

The information in this manual is based on correct installation in accordance with installation instructions for this product.

Ropox cannot be held liable if the product is used in any way that differs from stated in this manual and/or installation instruction.

Ropox reserve the right to amend this manual and reference documents without prior notice.

## 2.1 Product Unit label



	<p>This product is CE-marked in accordance with:</p> <p>European Medical Device Regulation (EU)2017/745</p> <p>Council Directive 2011/65/EU, RoHS</p>
	<p>Manufacturer name and address</p>
	<p>Date of production</p>
	<p>Stock number</p>
	<p>Serial number</p>
	<p>Consult manual for important safety related information, warnings and safety precautions.</p>
	<p>Do not dispose as unsorted municipal waste. Product must be returned to a designated recycling station.</p>
	<p>Operating and storing temperatures may not exceed 5-40C°</p>
	<p>Consult the instructions for use</p>

## 3. General requirements

### 3.1 Product information

<b>Manufacturer</b>	<b>Ropox A/S</b> Ringstedgade 221 DK-4700 Naestved +45 55 75 05 00 <a href="mailto:Info@ropox.com">Info@ropox.com</a>		
<b>Product models</b>	<b>Part number</b>	<b>Model</b>	<b>Configuration</b>
	40-43011 40-43016	DuraSeat - Shower seat DuraSeat - Shower seat	With legs Without legs
<b>Expected service life</b>	5 years		
<b>MDR Class 2017/745</b>	<b>Class I</b>		
<b>Intended environments</b>	This product is to be used only in:  Professional Healthcare Environment Homecare Environment		
<b>Maximum user weight according to EN12182:2012</b>	40-43011 = 200 kg / 440 lbs  40-43016 = 150 kg / 330 lbs		
<b>Ambient temperature range</b>	-10 °C to +50 °C Transport and storage +5 °C to +40 °C Operation		
<b>Materials in contact with patient</b>	Seat	PUR foam	
	Wall unit	Stainless steel: Powder-coated	
	Cover	Plastic	

### 3.2 Product description

The Shower Seat is a practical solution that is easily mounted on the wall. The soft seat is equipped with fold-down arms that give the users more confidence and security in the shower. The seat is solid and serves as reliable support for people who prefer to shower while sitting down.

### 3.3 Intended use

The shower seat is a flexible and stable aid for users who need to shower sitting down, and it can be used in all kinds of bathrooms. It is possible to fold the seat up to a vertical position which makes it possible to use the seat even in bathrooms with limited space.

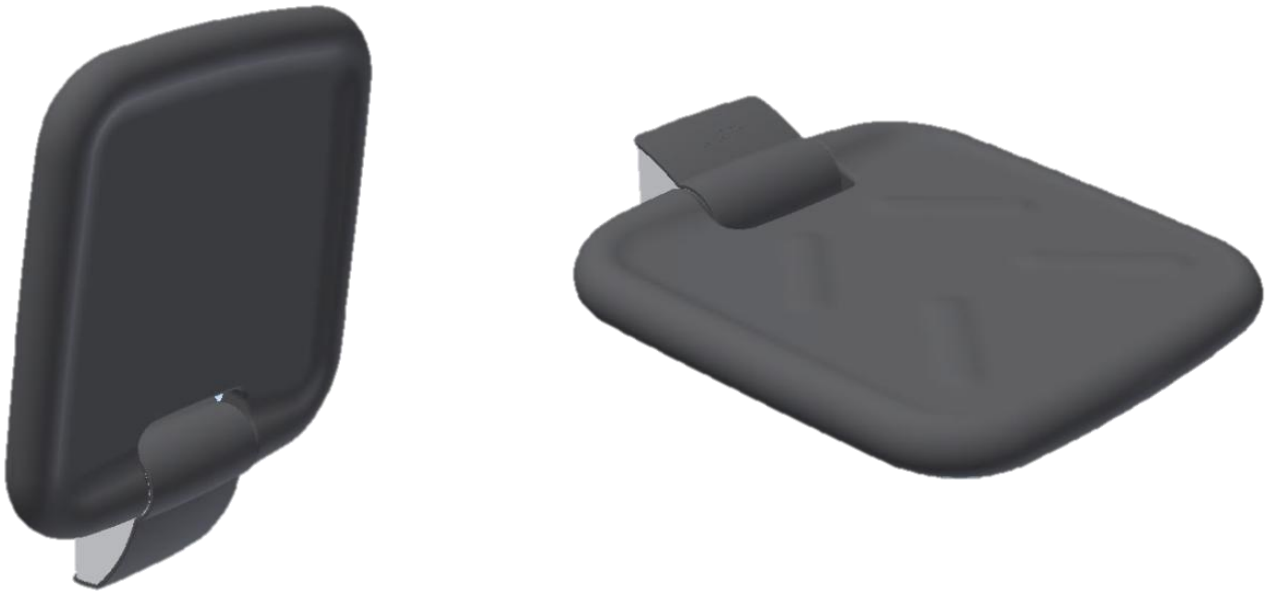
The maximum user weight is 200 kg for models with a support leg and 150 kg for models without legs.

### 3.4 Intended operator

Reading and understanding this manual will be sufficient training for an intended operator. Children or patient are not considered intended operator.

### 3.5 Options

40-43016 DuraSeat - Folding Shower Seat

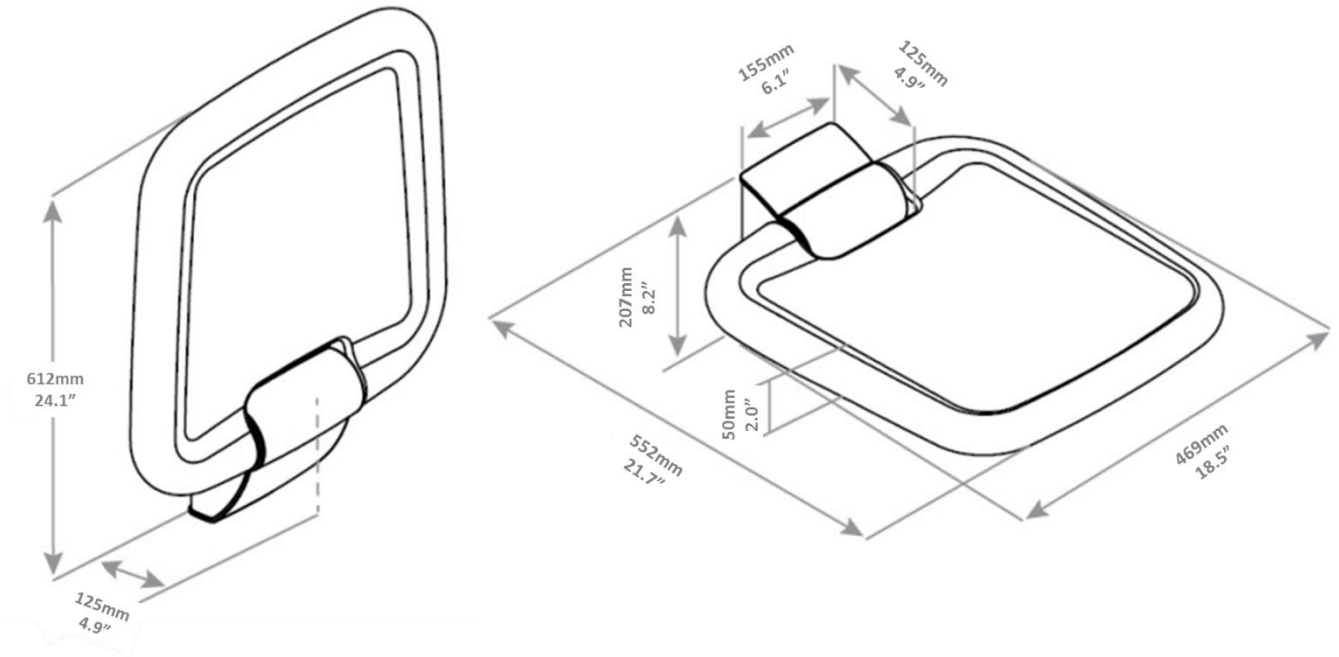


40-43011 DuraSeat - Folding Shower Seat with leg

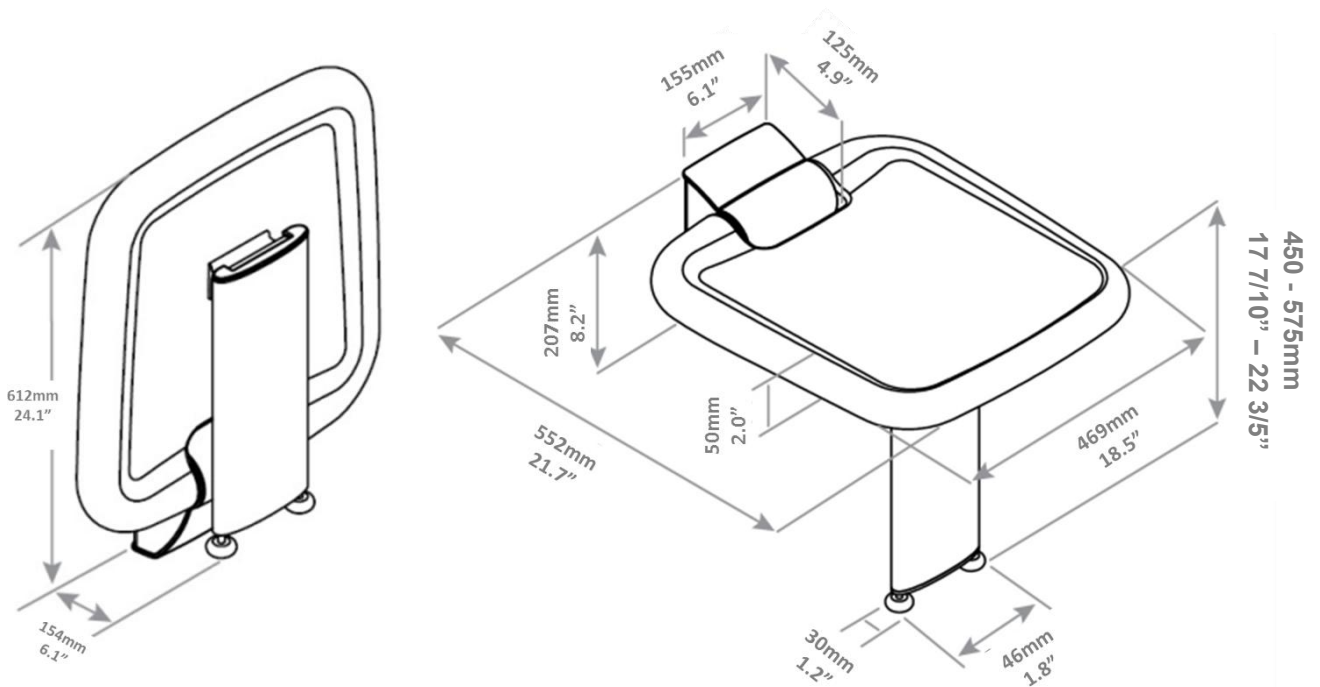


### 3.6 Dimensions

40-43016 DuraSeat - Folding Shower Seat



40-43011 DuraSeat - Folding Shower Seat with leg



# 4. Mounting instructions

## 4.1 Installation interfaces

### Seat, with and without legs

#### Construction

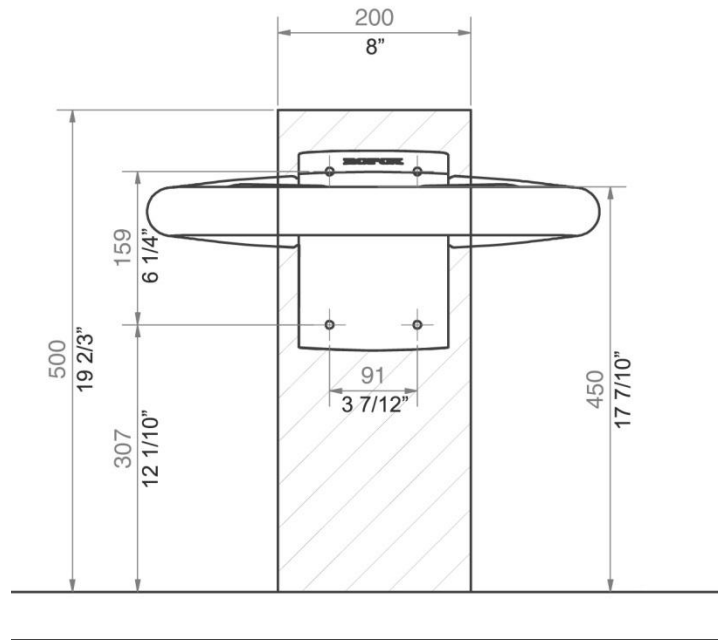
The wall must be made of a material suited for screw mounting and approved for damp rooms.

Load-tested according to DS/ISO 17966 the maximum user weight has been fixed at 150kg (331lbs) for the seat without legs and 200kg (441lbs) for the seat with legs. The hatched area is the minimum area for reinforcement of the wall.

#### Max. tensile load of upper screws

40-43011: 70kg/screw (154lbs)

40-43016: 225kg/screw (496lbs)



#### NOTE:

All dimensions are based on a fixed seat height of 450mm (17 7/10") above floor level. If a change of this height is required, the recommended dimensions must be changed accordingly. Seat with legs must be mounted with a seat height between 450 and 575mm (17 7/10" and 22 3/5") above floor level.

The seat is supplied with a set of 4 screws and raw/plugs suitable for mounting on a concrete wall. The fitter should always consider the material, condition and strength of the wall and use screws and raw/plugs suitable for the specific wall type.

## 4.2 Mounting instructions for shower seat without leg

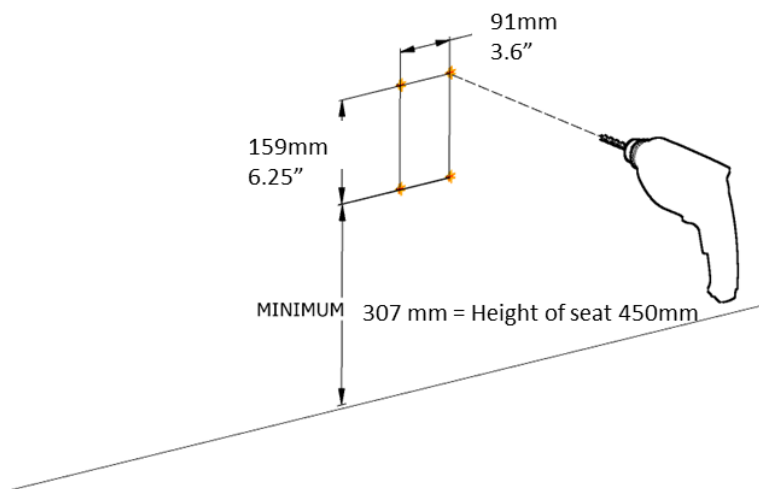
The following parts are included:

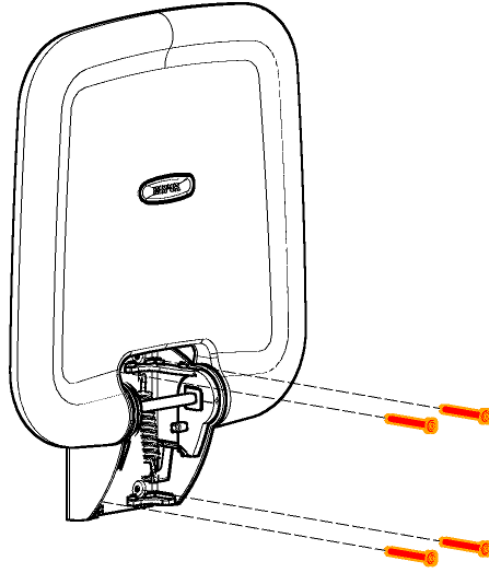
Shower Seat	x1
Mounting screws	x4
Rawlplugs	x4

The screws and rawlplugs included are for mounting on a concrete wall. The installer must always examine the material, condition and strength of the wall and use appropriate screws and rawlplugs.

The seat has a max user weight of 150kg/330lbs.

Maximum load in the top screws are 225kg/496lbs.

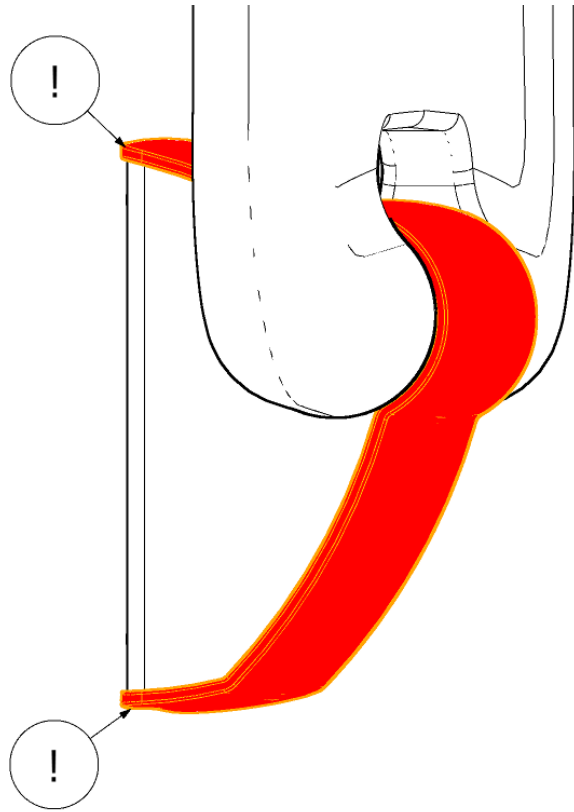




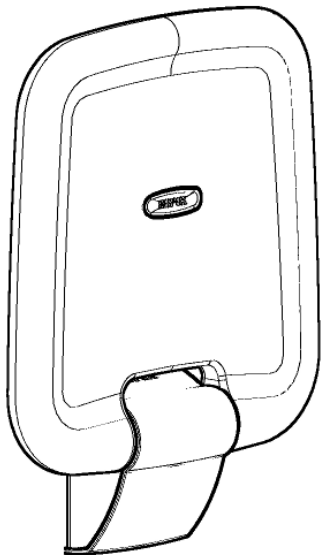
2



3



4



5

### 4.3 Mounting instructions for shower seat with leg

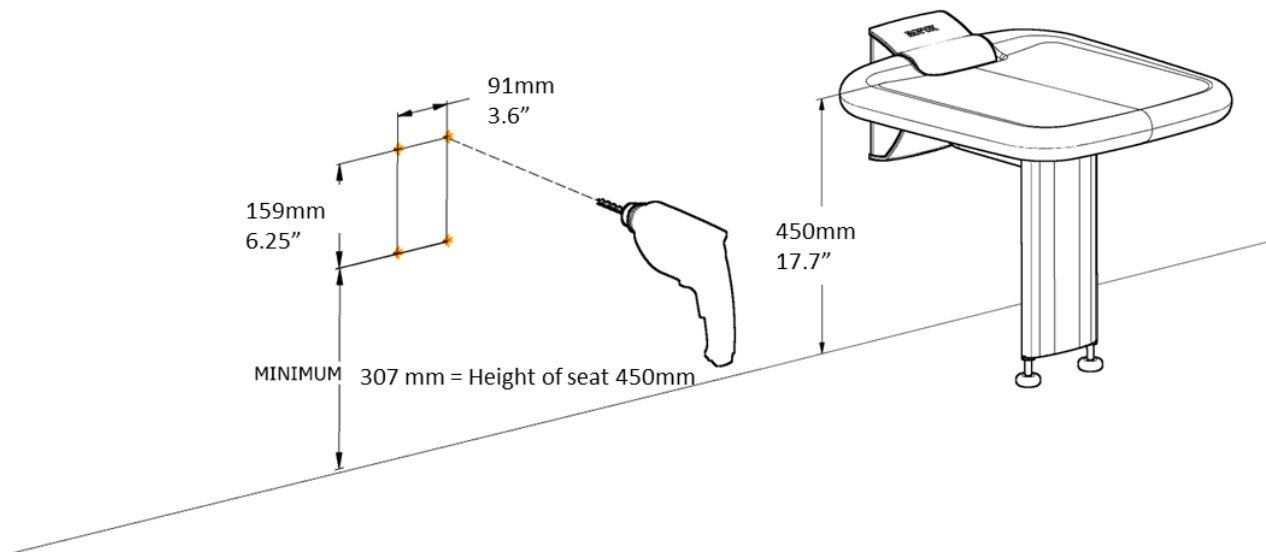
The following parts are included:

Shower Seat with leg and adjustment screws	x1
Mounting screws	x4
Rawplugs	x4

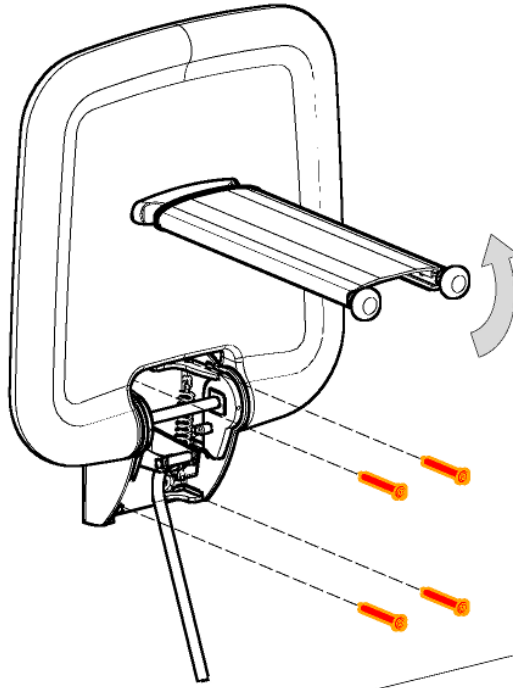
The screws and rawplugs included are for mounting on a concrete wall. The installer must always examine the material, condition and strength of the wall and use appropriate screws and rawplugs.

The seat with legs has a max user weight of 200kg/440lbs.

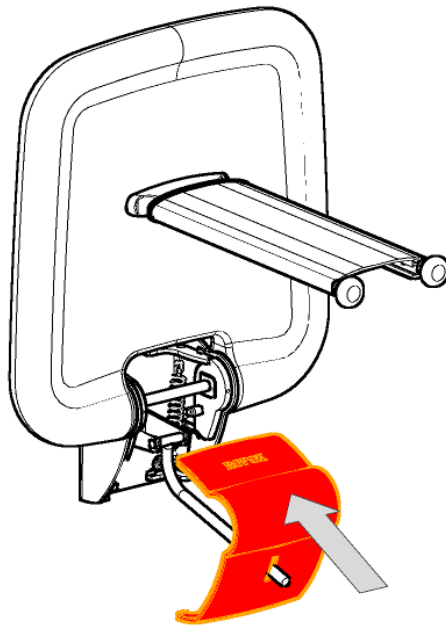
Maximum load in the top screws are 70kg/154lbs



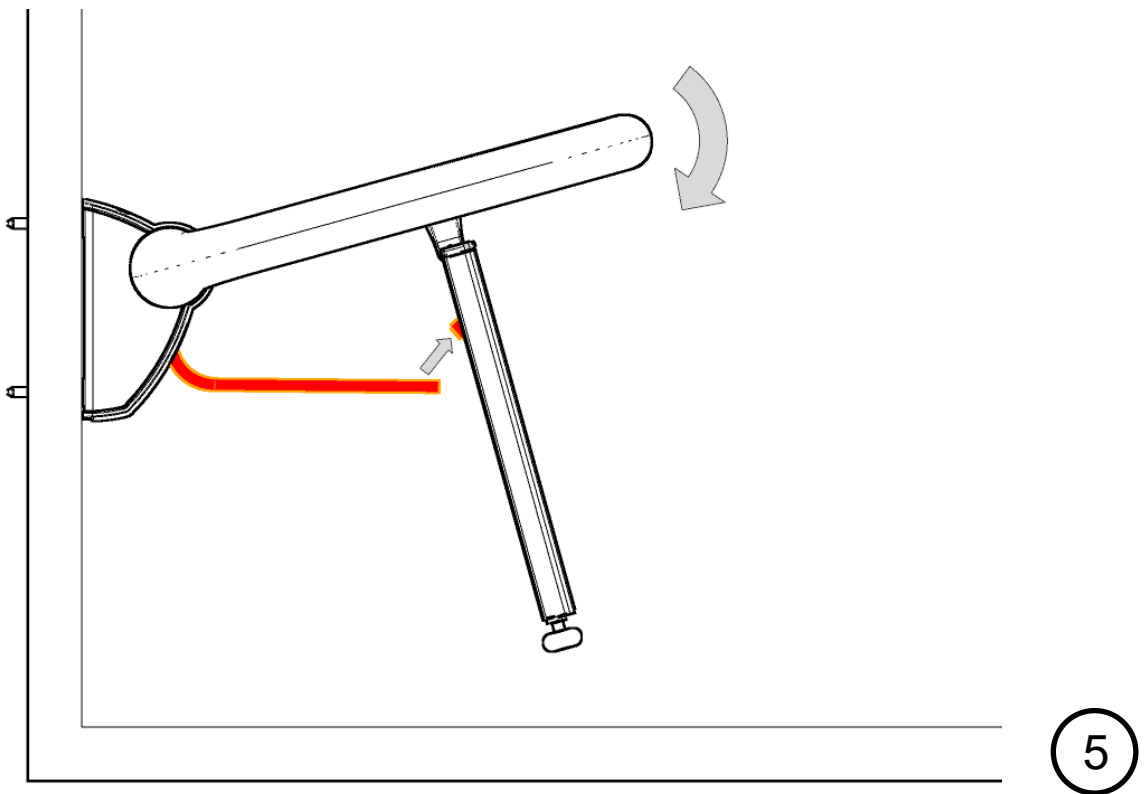
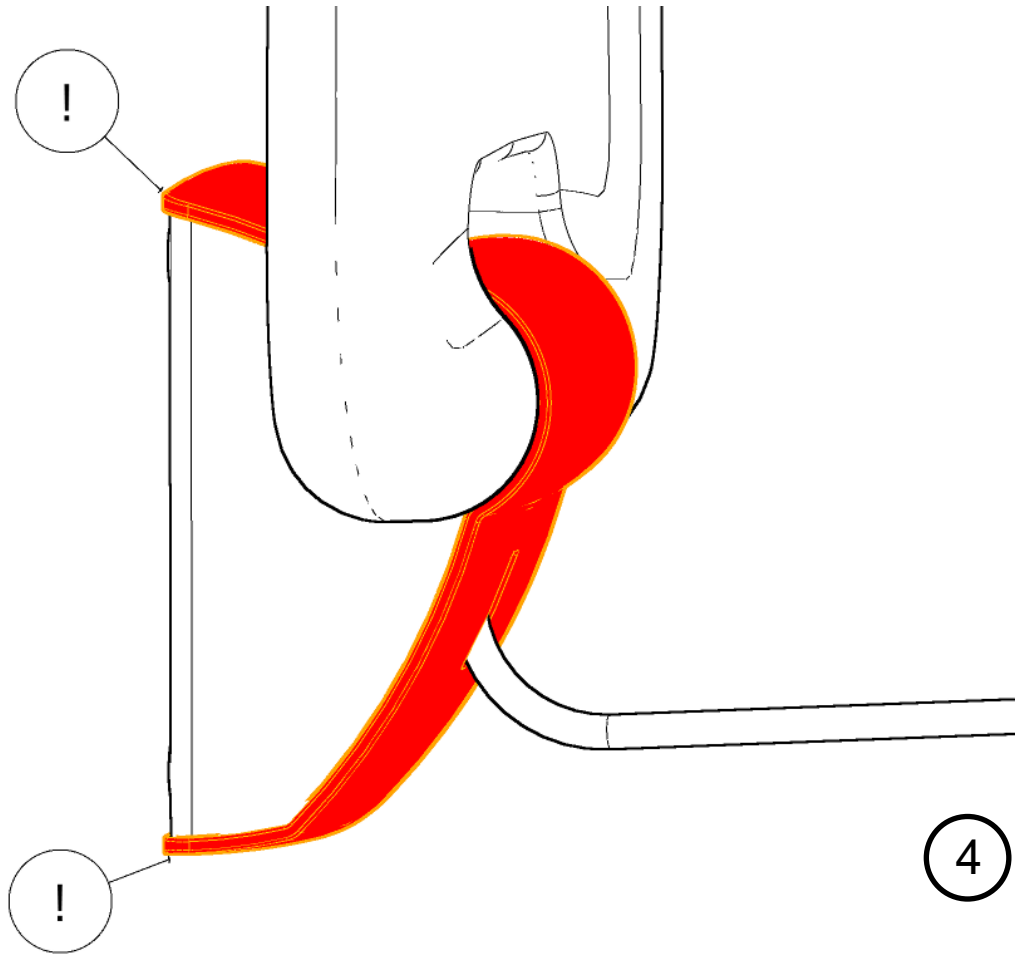
1

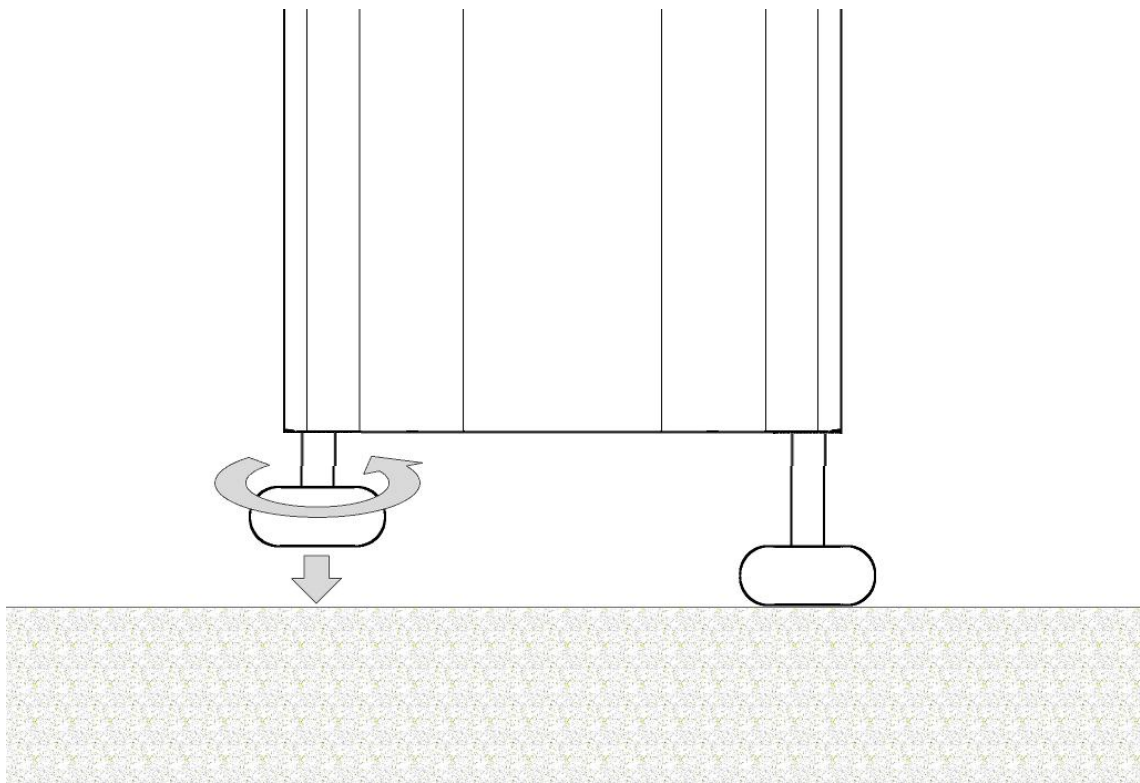
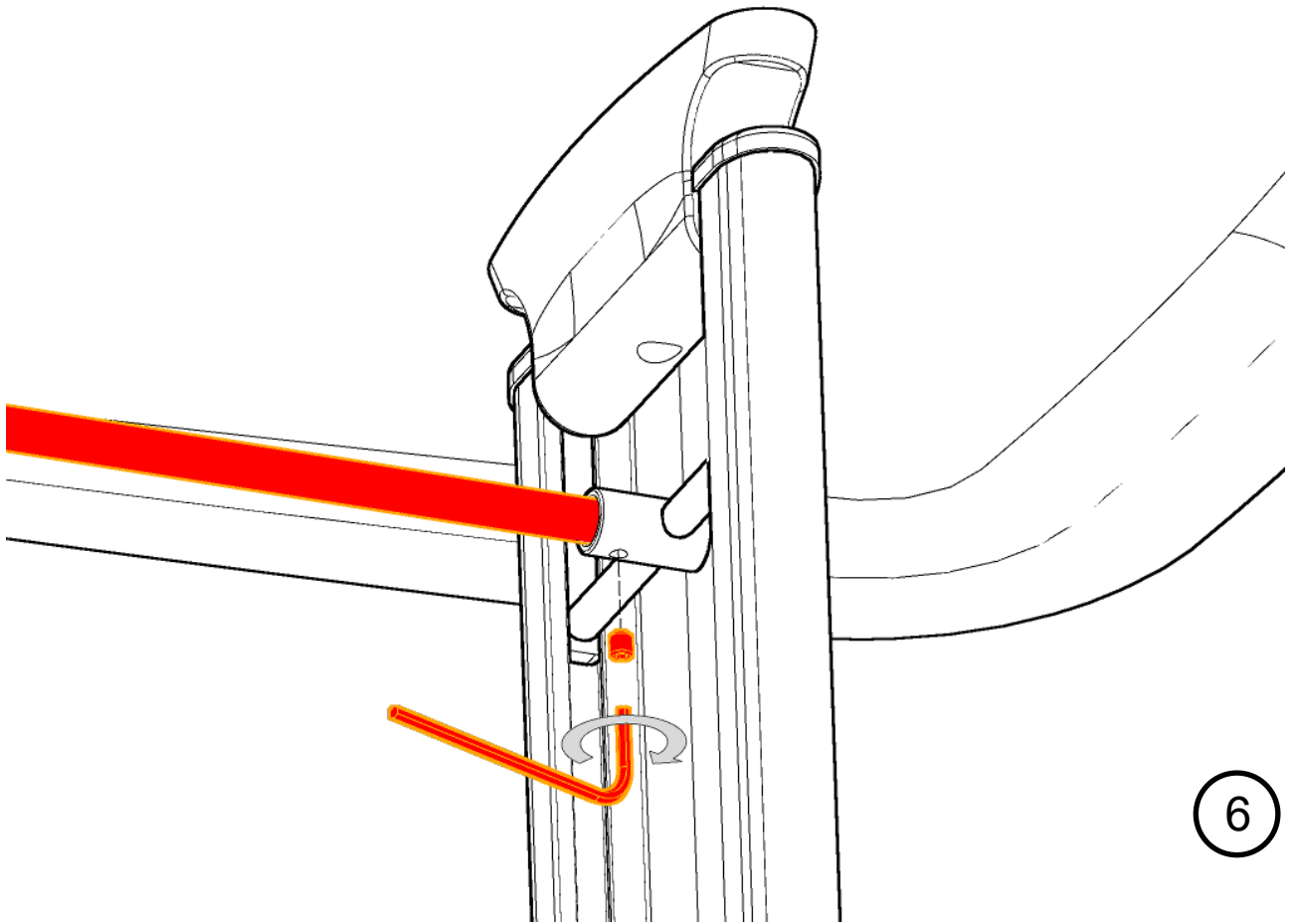


2



3





# 5. User instructions


## 5.1 Folding away after use

The DuraSeat Folding Shower Seat has a built-in spring mechanism to make it really easy to fold the seat away by the wall after use.

The seat is also designed to hold itself up but is at the same time easy to fold down again.

## 5.2 Safety in use

For optimal use of the folding seat's functions and to avoid accidents, it is important to act in accordance with these basic recommendations

	<p><b>Caution!</b></p> <ul style="list-style-type: none"><li>• Take care to ensure that the feet are adjusted correctly, so that they both rest on the floor when the seat is folded down. Take special care if the floor is uneven or if there is a grille or similar by the feet.</li><li>• Avoid bumping into the leg when it is down (e.g. with the footrest of a wheelchair). If the leg is destroyed, the maximum load will be reduced significantly.</li><li>• Make sure that the wall to which the seat is attached can support the version without a leg. If not, either choose the version with a leg or reinforce the wall.</li><li>• Be aware that the seat can become slippery when it is wet and when soap is used.</li><li>• As far as possible, avoid sitting on the plastic cover of the wall bracket.</li><li>• Make sure that there is nothing under the seat when it is unfolded, as this might damage the leg.</li><li>• Make sure that all installation screws in the wall are fitted correctly and are not placed in a joint. This will weaken the seat's load-bearing capacity.</li><li>• Be aware that the handrail becomes slippery when wet.</li><li>• Be aware that the foot of carer not trips over support leg.</li></ul>
---	---

# 6. Maintenance

DuraSeat - Shower Seat is maintenance-free. For safety reasons, however, we do recommend regular inspection of all installation screws and moving parts in order to make sure that the wall mounting is in order and safe.

## 6.1 Cleaning

Do not use a high pressure cleaner to clean this product.

Lime deposits are removed with household cleaning agent for bathrooms.

Always clean the shower tray after use to prevent dirt from sticking to the surfaces.

### Important

Do not use abrasive powders or other abrasives as they will scratch the surfaces. Do not use pointy or sharp cleaning remedies.

### Chemical resistance

Cleaning agents containing the following chemicals must not be used in cleaning.

Acetone
Ammonium carbonate
Ethyl acetate
Formic acid
Hydrochlorid acid
Isopropanol
Methyl acetate
Nitric acid
Phosphoric acid

Avoid contact with **iodine** as this can discolour the seat.

# Chemical Resistance of PUR (Polyurethane)

Substance	Concentration (%)	Classification of requirement	Substance	Concentration (%)	Classification of requirement
Aceton		○	Magnesium chloride	30	●
Alums		○	Methanol	< 5	●
Aluminium chloride	10	●	Mythyl acetate		○
Formic acid	30	○	Mythyl chloride		○
Ammonia	10	●	Methylethylketon		●
Ammonium carbonate		○	Mythylglycol		○
Ammonium chloride		●	Mythylglycolacetate		○
Aniline		○	Lactic acid	10	○
ASTM-Oil I		●	Mineral oil		●*
ASTM-Oil II		●	Motor oil		○
ASTM-Oil III		●	Sodium chloride	10	●
ASTM-Fuel No. I		●	Sodium perchlorate solut.		●
ASTM-Fuel No. II		●	Soda lye	10	●
ASTM-Fuel No. III		●	Olive oil		●
Benzene		○	Ozone		●
Brake fluid ATE		○	Paraffin oil		●
Butanol		○	Perchlore ethylene		○
Butyl acetate		○	Petroleum ether		●
Calcium chloride	40	●	Petroleum		●
Chlorobenzene		○	Vegetable oils		●
Chloroform		○	Vegetable fats		●
Chloroprene		○	Phosphoric acid	50	○
Chromic acid		○	Nitric acid	30	○
Cyclohexan		●	Hydrochlorid acid, concen.		○
Cyclohexanon		○	Cutting oil		●*
Diethylether		●	Carbon disulfide		○
Diethylprestone		●	Sulfuric acid	30	●
Diesel oil		●	Sea water		●
Dimethylformamide		○	Silver salts	20	●
Ferric-III-chloride	10	●	Tetrachloroethylene		○
Acetic acid 20-80	10	●	Carbon tetrachloride	100	○
Ethanol	100	●	Tetrahydrofuran		○
Ethyl ether		●	Toluene		○
Ethylacetate		○	Trichlorethylene		○
Ethylencoloride		●	Tataric acid	< 10	●
Freon 12		●	Xylon		○
Freon 22		●			
Hydraulic oil SAE 90		●*			
Glycerin		●			
Glycol		●			
Isopropanol		○			
Potash lye	10	●			
Bichromate of potash		●			
Potassium nitrate		●			
Potassium permanganate		○			
Kerosene		●			

resistant	●
vastly resistant	●
conditionally resistant	●
not resistant	○

\*for individual case, please verify

The information mentioned in this summary is given to the best of our own knowledge and based upon our long standing experience. But we would like to direct your attention to the fact, that the information is given without obligation. A final judgement can only be made in practice.

## 6.2 Troubleshooting

Faults	Possible solutions
The seat cannot maintain an upright position	The internal spring might be defective; if so, contact Ropox for a new part.
The seat is unusually heavy to lift	Detach the plastic cover by the wall bracket. <ul style="list-style-type: none"> <li>• If the springs have come loose, put the springs into position while the seat is in an upright position.</li> <li>• If one or both springs is/are defective, contact Ropox for new parts.</li> </ul>
The seat cannot be fully folded down and does not rest in a horizontal position.	NOTE: only valid for version with a leg: <ul style="list-style-type: none"> <li>• Set the feet to the correct height</li> <li>• Alternatively, the seat might have been installed too low (see installation instructions for the minimum position for wall installation).</li> </ul>

## 7. Environmental protection

The product is not intended to be disposed as municipal waste. Proper disassembly, sorting and disposal of components must be done by waste disposal professionals.



Part	Disposal recommendation
Seat	Plastic
Unit	Steel waste
Cover	Hard plastic

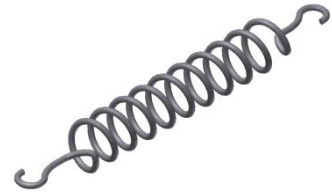
## 8. Spare parts

If need be, the following table describes the spare parts available for the Ropox Showerseat.

<b>40*40018-013</b>	<b>Adjustment screw</b> 
<b>40*43010-233</b>	<b>Plastic cover</b> <i>For 40-43016</i> 
<b>40*43010-289</b>	<b>Plastic cover</b> <i>For 40-43011</i> 
<b>40-43017-2</b>	<b>PUR Seat</b> 
<b>40*43010-176</b>	<b>Leaf spring</b> 

40\*43010-216

Relief spring



## 9. Complaints

Please see general terms of sale and delivery on [www.ropox.com](http://www.ropox.com)



**ROPOX A/S**

Ringstedgade 221  
DK – 4700 Naestved  
Tel.: +45 55 75 05 00  
E-mail: [info@ropox.dk](mailto:info@ropox.dk)  
[www.ropox.com](http://www.ropox.com)