



ROPOX NURSING TABLES

WE CARE FOR YOU WHEN
YOU TAKE CARE OF OTHERS



ROPOX HEIGHT-ADJUSTABLE NURSING TABLES

SAFETY AND COMFORT FOR CHILDREN AND ADULTS

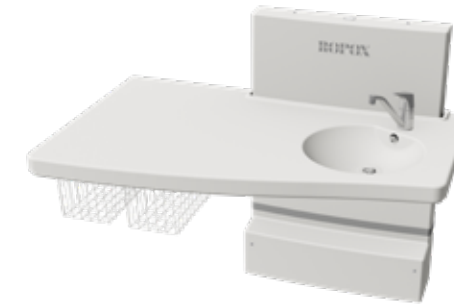
Work in an institution can be very demanding for the staff where children need help, comfort, nursing and changing all day long. This can be very hard on the body, and therefore, the staff need the best work conditions so that they can take care of the children in a healthy work environment without unnecessary and heavy lifting. Moreover, the children must feel safe and comfortable as well.

Thanks to the ROPOX nursing table, the staff can nurse and change the children without straining their backs. Moreover, the children can move around the table and still be protected from sharp corners and edges.

Thus, we make an active effort to make life safer and easier for both children and adults.



ROPOX
Maxi2



ROPOX
Medi2



A HEALTHY WORK ENVIRONMENT

The unique table design offers the staff healthy and improved working postures. In addition, the table provides more space in the room.

IMPROVED SAFETY FOR CHILDREN AND ADULTS

Thanks to the rounded table design, the children are protected from sharp edges and corners. Moreover, the table can be lowered to the floor so that the child can climb onto the table without help.

BETTER HYGIENE

The smooth and rounded design and the integrated washbasin make the table very easy to clean.

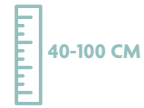
INTELLIGENT SPACE OPTIMISATION

Thanks to the diagonal front, you can get closer to the wall, and the sideways offset lifting unit fits perfectly underneath windows and thus provides more space for electrical and plumbing installations.



"We are very pleased with our ROPOX nursing table. It can be lowered to the floor so that the child can climb onto the table without help, which makes our work much easier. Moreover, it is very easy to clean, meaning that we can always keep a clean and nice nursing area."

The staff at the day nursery Havnelø



40-100 CM



75 KG



HEIGHT-ADJUSTABLE NURSING TABLE - MAXI2

ROPOX NURSING TABLE - MODEL MAXI 2

The MAXI model can be lowered down to 400 mm, meaning that even the youngest children can climb onto the nursing table without help, and the staff will not be exposed to a working posture which strains their backs and bodies.

Moreover, the children can be nursed on the table and still be protected from crushing hazards and sharp edges and corners.

Thanks to the rounded design and the integrated washbasin the table is very easy to clean, and thus it is also easy to maintain a high level of hygiene, which is compulsory in the nursing area.

Due to the special shape of the front, the staff can move closer to the wall. Thus, it is easier to reach the wall, the shelves, and the control panel without bending over and straining your back. In brief, the nursing table offers optimal work conditions for the staff and safety for the children.



The nursing table design offers more space to nurse the children and provides the best working postures for the staff so that they can easily reach the wall, the shelves, and the control panel.



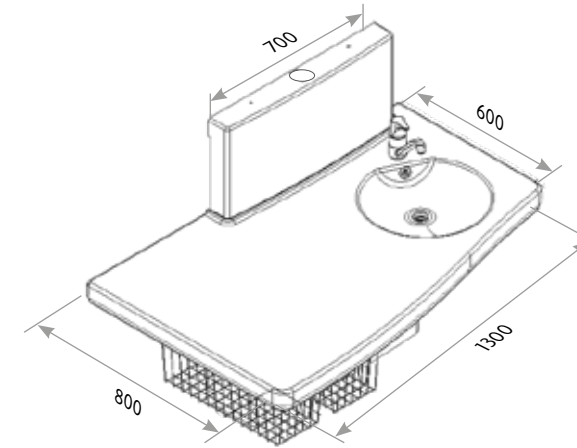
A nursing table may never pose a danger to children or adults. Therefore, the nursing table is fitted with an integrated safety stop. Thus, the table stops immediately if it meets any resistance during the adjustment/lowering. Knowing that there is no risk of crushing hazards for the children makes the staff feel safe, and moreover, it provides a high safety level for the children as well.

VERSIONS

MATERIAL:	VACUUM-SHAPED PLASTIC ALUMINIUM COATED STEEL STAINLESS STEEL
TESTED ACCORDING TO:	DS/EN 12221-1:2008 + A1 2013 CHILD USE AND CARE ARTICLES

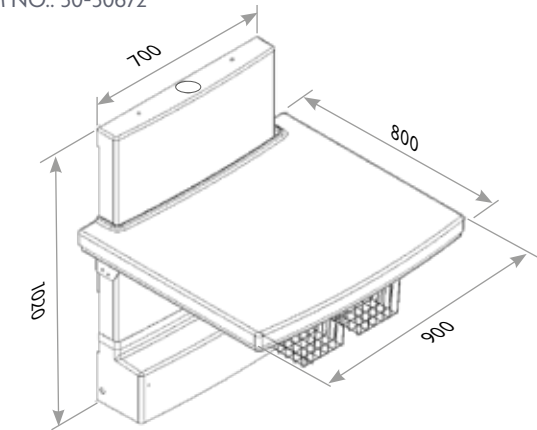
MAXI2 WITH WASHBASIN

ITEM NO.: 50-50670



MAXI2 WITHOUT WASHBASIN

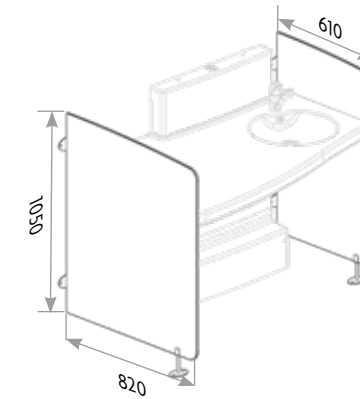
ITEM NO.: 50-50672



ACCESSORIES

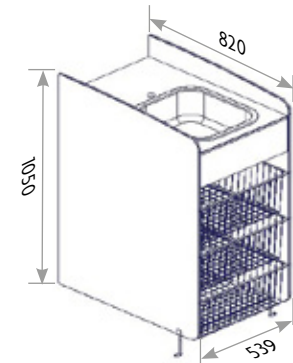
SIDE COVER

ITEM NO.: 50-50682/50-50683



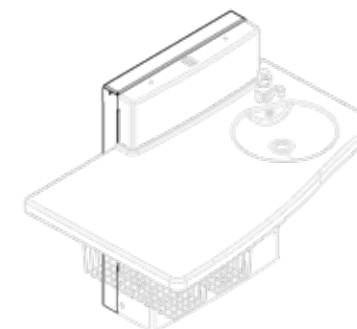
BASKET UNIT WITH WASHBASIN/WITHOUT WASHBASIN

ITEM NO.: 50-50696/ 50-50697



ADAPTER FRAME 20

ITEM NO.: 50-50685



MIXER TAP WITH TELESCOPIC HAND SHOWER

ITEM NO.: 50-50694

NOT-TOUCH MIXER TAP

ITEM NO.: 50-14684

MATRESS FOR NURSING TABLE WITH WASHBASIN/ WITHOUT WASHBASIN

ITEM NO.: 50-50680/50-50681

HAND CONTROL

ITEM NO.: 50-50690

SIDE BED GUARD 130/90 CM

ITEM NO.: 50-50688/50-50699



60-100 CM

75 KG

HEIGHT-ADJUSTABLE NURSING TABLE - MEDI2

ROPOX NURSING TABLE - MODEL MEDI 2

The Medi nursing table is an elegant nursing table with a smaller lifting unit than the Maxi model. The table can be lowered to 60 mm so that the child can climb onto the table without help.

Just like on the Maxi model, the table top is designed with rounded edges, which protects the children from scratching themselves. Moreover, it also has an integrated washbasin, which makes it easy to keep a clean nursing area.

The nursing table is deepest at the child's lying position and smallest at the washbasin, which offers the staff the best work postures so that their bodies are not strained more than necessary.

The Medi model is the ideal nursing table for use in modern institutions. Moreover, it offers the best conditions for both children and adults.



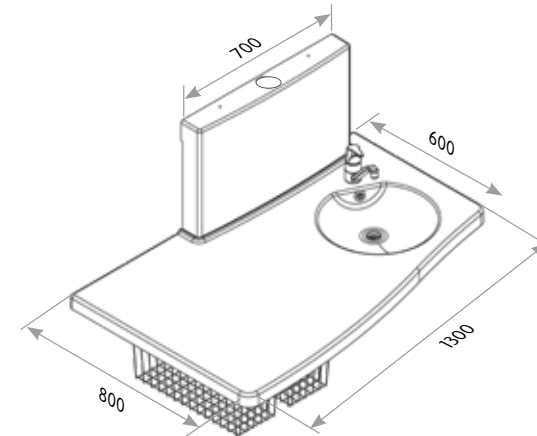
As you can easily reach the wall and the shelves thanks to the additional space, you can keep your full focus on the child. No heavy lifting for the staff – the child can climb onto the table with the ladder.

VERSIONS

MATERIAL:	VACUUM-SHAPED PLASTIC ALUMINIUM COATED STEEL STAINLESS STEEL
TESTED ACCORDING TO:	DS/EN 12221-1:2008 + A1 2013 CHILD USE AND CARE ARTICLES

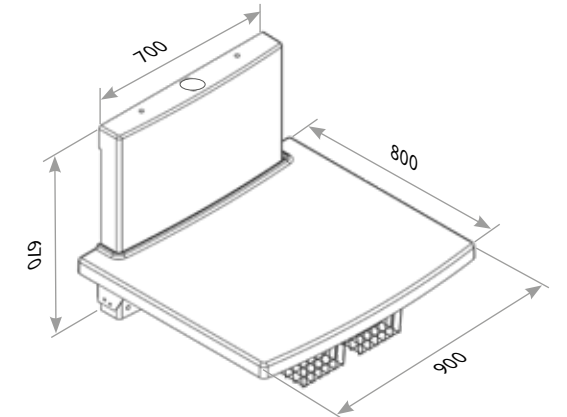
MEDI2 WITH WASHBASIN

ITEM NO.: 50-50676



MEDI2 WITHOUT WASHBASIN

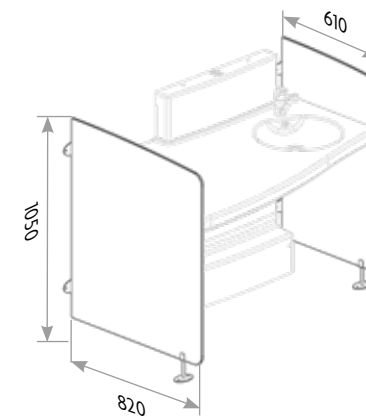
ITEM NO.: 50-50678



ACCESSORIES

SIDE COVER 82/61 CM

ITEM NO.: 50-50682/50-50683



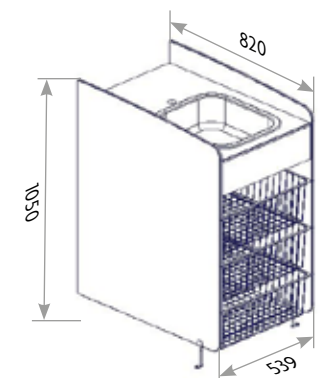
ADAPTER FRAME 20 MM/SAFETY STOP

ITEM NO.: 50-50689/50-50691+50-50692



BASKET UNIT WITH WASHBASIN/WITHOUT WASHBASIN

ITEM NO.: 50-50696/50-50697



2-STEP LADDER

ITEM NO.: 50-50702

HAND CONTROL

ITEM NO.: 50-50690

MATTRESS FOR NURSING TABLE WITHOUT WASHBASIN/WITH WASHBASIN

ITEM NO.: 50-50680/50-50681

NOT-TOUCH MIXER TAP

ITEM NO.: 50-14684

MIXER TAP WITH TELESCOPIC HAND SHOWER

ITEM NO.: 50-50694

SIDE BED GUARD 130/90 CM

ITEM NO.: 50-50688/50-50699

ABOUT ROPOX

FREEDOM AND CONFIDENCE TO BE INDEPENDENT

“People with disabilities deserve an easier life with more self-esteem, quality of life and freedom to safely look after themselves.” This philosophy has been our goal since we set up our business back in 1962. Today, we are more than 60 employees who continue to pursue this mission.

With more than 60 years of experience, we are amongst the world’s leading specialists and producers of assistive devices and furniture for the people with disabilities as well as equipment for ergo- and physiotherapy and for rehabilitation. Being part of the AddLife group, we also have access to a large and strong network of partners who specialise in developing services and products to both the private and public healthcare sector.

We are represented in four continents of the world where our solutions are recognised and appreciated for their high quality, flexibility, and accessibility.

Find out more on www.ropox.com.



ROPOX TABLES

BEAUTIFUL HEIGHT-ADJUSTABLE TABLES FOR INDIVIDUAL NEEDS



ROPOX KITCHENS

FLEXIBLE AND HEIGHT-ADJUSTABLE KITCHENS



ROPOX BATHROOMS

INNOVATIVE AND EXCITING PRODUCTS IN A BEAUTIFUL COHESION

ROPOX™
BETTER WAYS TO BETTER DAYS
— A PART OF **AddLife**