

# ROPOX™

BETTER WAYS TO BETTER DAYS

- A PART OF AddLife®



## Toilet Support arms




User manual

**This folder should always be kept with the product**


# Content

<b>1. Key to symbols</b> .....	<b>3</b>
<b>2. Safety</b> .....	<b>3</b>
2.1 Product labelling .....	5
<b>3. General requirements</b> .....	<b>6</b>
3.1 Product information .....	6
3.2 Product description .....	6
3.3 Intended use.....	7
3.4 Intended operator .....	7
3.5 Clinical functions .....	7
3.6 Product dimensions.....	7
<b>4. Instructions for use</b> .....	<b>10</b>
4.1 Mounting interfaces .....	10
4.2 Installation instructions .....	12
4.3 Operating the product .....	13
4.4 Use of toilet roll holder (optional extra) .....	13
4.5 Adjusting friction discs.....	14
4.6 Safe use .....	15
<b>5. Cleaning</b> .....	<b>15</b>
5.1 Pre-approved disinfectants .....	15
<b>6. Maintenance</b> .....	<b>15</b>
<b>7. Component list</b> .....	<b>16</b>
<b>8. Environmental considerations</b> .....	<b>16</b>
<b>9. Accident/incident reporting</b> .....	<b>17</b>

# 1. Key to symbols

<b>Warning</b> Indication of a potentially dangerous situation. If not avoided, it can result in serious injury or death.	
<b>Caution</b> Indication of a potentially hazardous situation that may result in minor or moderate bodily injury. The symbol is also used to warn of improper use.	
<b>Important</b> This symbol draws attention to the correct use and handling of the product.	

## 2. Safety

	<p>This manual must be read and understood before use. Always keep this manual close to the product.</p> <p>The use, installation and service of this product must be carried out in accordance with the manual to avoid dangerous situations that could lead to personal injury.</p> <p>Never use the product in any way other than as instructed in this manual. Any non-compliance may result in personal injury, dangerous situations and/or damage to the product.</p> <p>The person installing and using this product either as operator or patient must have access to the necessary safety information in this manual.</p>
--	--



Do not carry out repairs, disassembly or assembly, own additions, adjustments or modifications to the product beyond what is described in this manual. These must be carried out by Ropox authorised personnel. Do not perform service when the product is being used by a patient.

This appliance may be used by children aged 8 years and above and persons with reduced physical, sensory or mental capabilities or lack of experience and knowledge if they have been given supervision or instruction concerning safe use of the appliance and understand the hazards involved. Do not allow children to play with the appliance.

Cleaning and user maintenance must not be carried out by children without supervision.

Do not use the product if it is faulty or damaged until it is repaired or replaced.

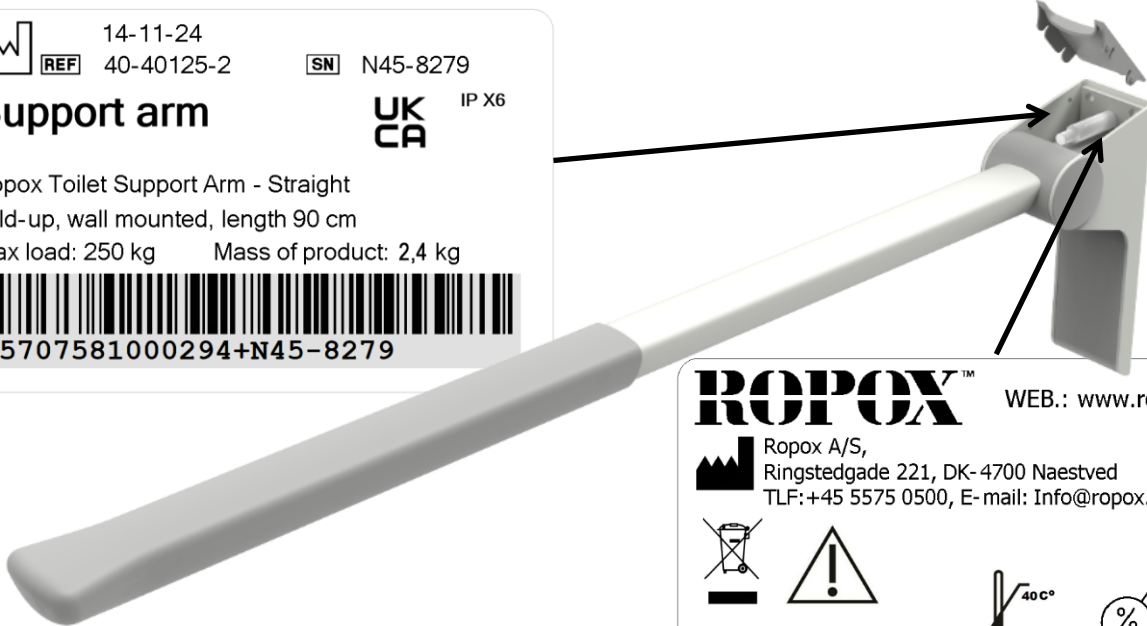



The information in this manual is based on correct installation in accordance with the installation instructions for this product.

Ropox cannot be held responsible if the product is used in a way that differs from that stated in this manual and/or installation instructions.

Ropox reserves the right to change this manual and reference documents without prior notice.


## 2.1 Product labelling



14-11-24  
 **REF** 40-40125-2    **SN** N45-8279


**Support arm**                      **UK CA** IP X6



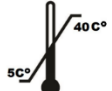
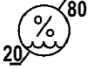
Ropox Toilet Support Arm - Straight  
 Fold-up, wall mounted, length 90 cm  
 Max load: 250 kg      Mass of product: 2,4 kg








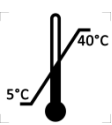

05707581000294+N45-8279

**ROPOX™**      WEB.: [www.ropox.dk](http://www.ropox.dk)

 Ropox A/S,  
 Ringstedgade 221, DK- 4700 Naestved  
 TLF: +45 5575 0500, E-mail: [Info@ropox.dk](mailto:Info@ropox.dk)

**CE**    **MD**      Transport & storage

	This product is CE labelled in accordance with: European Medical Devices Regulation (EU)2017/745 Council Directive 2011/65/EU, RoHS
	Manufacturer's name and address
	Production date
<b>REF</b>	Item number
<b>SN</b>	Serial number
	Refer to the manual for important safety-related information, warnings and precautions
	Do not dispose of as unsorted municipal waste. The product must be returned to a suitable recycling centre
	Operating and storage temperature must not exceed 5-40C°.
	Read the instruction manual before use

## 3. General requirements

### 3.1 Product information

<b>Producent</b>	Ropox A/S Ringstedgade 221, DK-4700 Næstved +45 55 75 05 00 Email: Info@ropox.com				
<b>Variants</b>	<b>Item no.</b>	<b>Model</b>	<b>Length</b>	<b>Color</b>	<b>UDI</b>
	40-40402	Straight	90cm	Grey	05707581014758
	40-40421	Wave	90cm	Grey	05707581014772
	40-40430	Straight w. support leg	90cm	Grey	05707581014789
	40-40431	Wave w. support leg	90cm	Grey	05707581014796
	40-40401	Straight	76cm	Grey	05707581014741
	40-40420	Wave	76cm	Grey	05707581014765
	40-40400	Straight	66cm	Grey	05707581014734
	40-40407	Straight	90cm	Red	05707581004230
	40-40426	Wave	90cm	Red	05707581004254
	40-40435	Straight w. support leg	90cm	Red	05707581004261
	40-40436	Wave w. support leg	90cm	Red	05707581004278
	40-40406	Straight	76cm	Red	05707581004223
	40-40425	Wave	76cm	Red	05707581004247
	40-40405	Straight	66cm	Red	05707581004216
	<b>Max. user weight according to DS/EN ISO 17966:2016</b>	250 kg Models with support legs: 330 kg			
<b>Sideways pull-out force</b>	150 kg				
<b>Life expectancy</b>	5 years				
<b>MDR Class 2017/745</b>	<b>Class I</b>				
<b>Intended environment</b>	This product should only be used in:  Professional healthcare Private homes				
<b>Temperature range</b>	-5 °C to +40 °C Transport and storage +5 °C to +40 °C In use				
<b>Materials in contact with patient</b>	<b>Components</b>	<b>Material description</b>			
	Arm Misc. Plate covers Wall brackets Rubber grip	Aluminium with antimicrobial paint PA 6 with antimicrobial additive Stainless steel with antimicrobial paint TPU with antimicrobial additive			

<b>Accessories</b>	
<b>Item number</b>	<b>Model/specifications</b>
40-40452	Toilet roll holder
40-40450	Height-adjustable unit with quick release
40-40451	Height adjustable unit without quick release

### 3.2 Product description

Toilet supports give the user stable support when getting up or sitting down, and for some, it's exactly the help they need to become self-reliant when using the toilet.

### 3.3 Intended use

For users who need support to sit down and get up from the toilet, Toilet Supports are a great disability-friendly aid. People with limited mobility can use Toilet Supports to support themselves when transiting from standing to sitting and vice versa.

They are also available in two different shapes and with different weight loads, making it possible to find the best possible alternative for the individual user or situation.

### 3.4 Intended operator

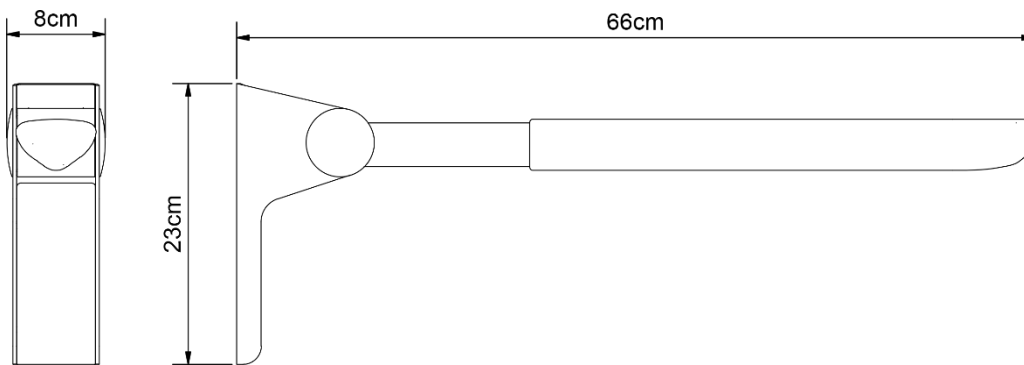
The intended operator can include anyone who has read and understood this manual. However, children are excluded.

### 3.5 Clinical functions

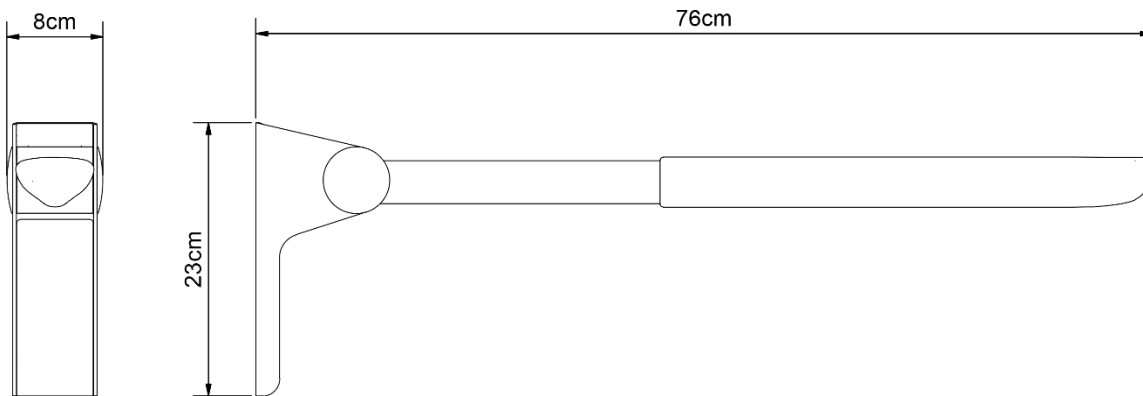
This product does not offer a clinically proven benefit to patients when used as intended by the manufacturer.

### 3.6 Product dimensions

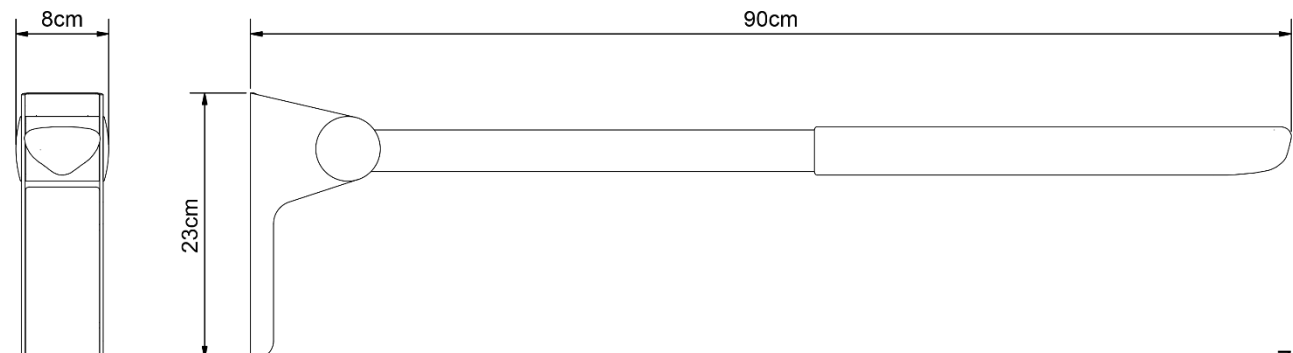
#### 40-40400 / 40-40405 – Straight 66cm



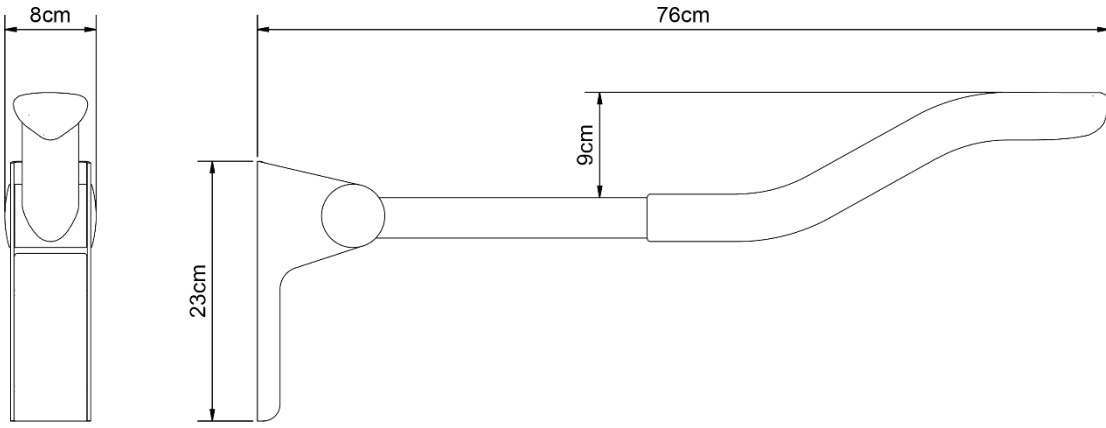
#### 40-40401 / 40-40406 – Straight 76cm



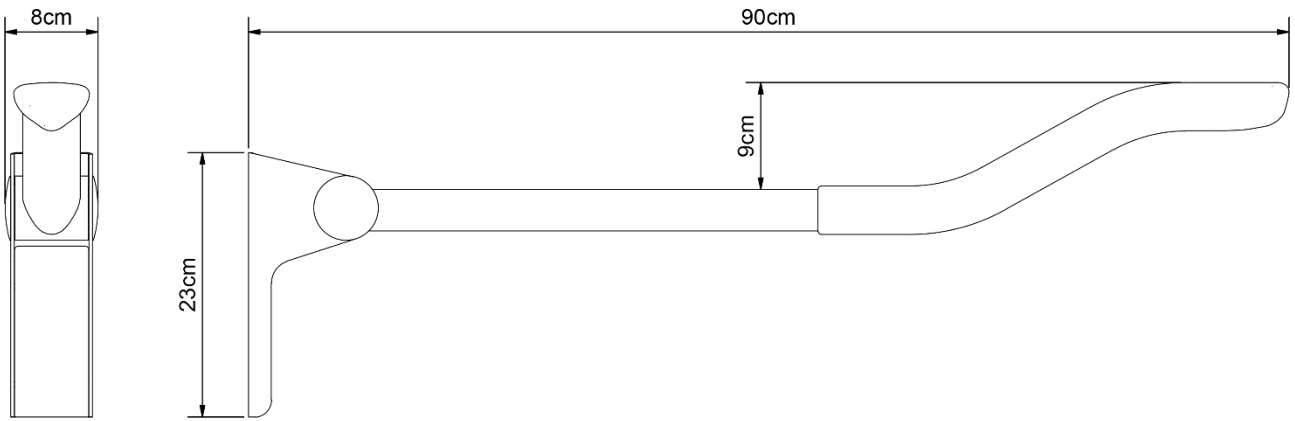
#### 40-40402 / 40-40407 – Straight 90cm



40-40420 / 40-40425 – Wave 76cm

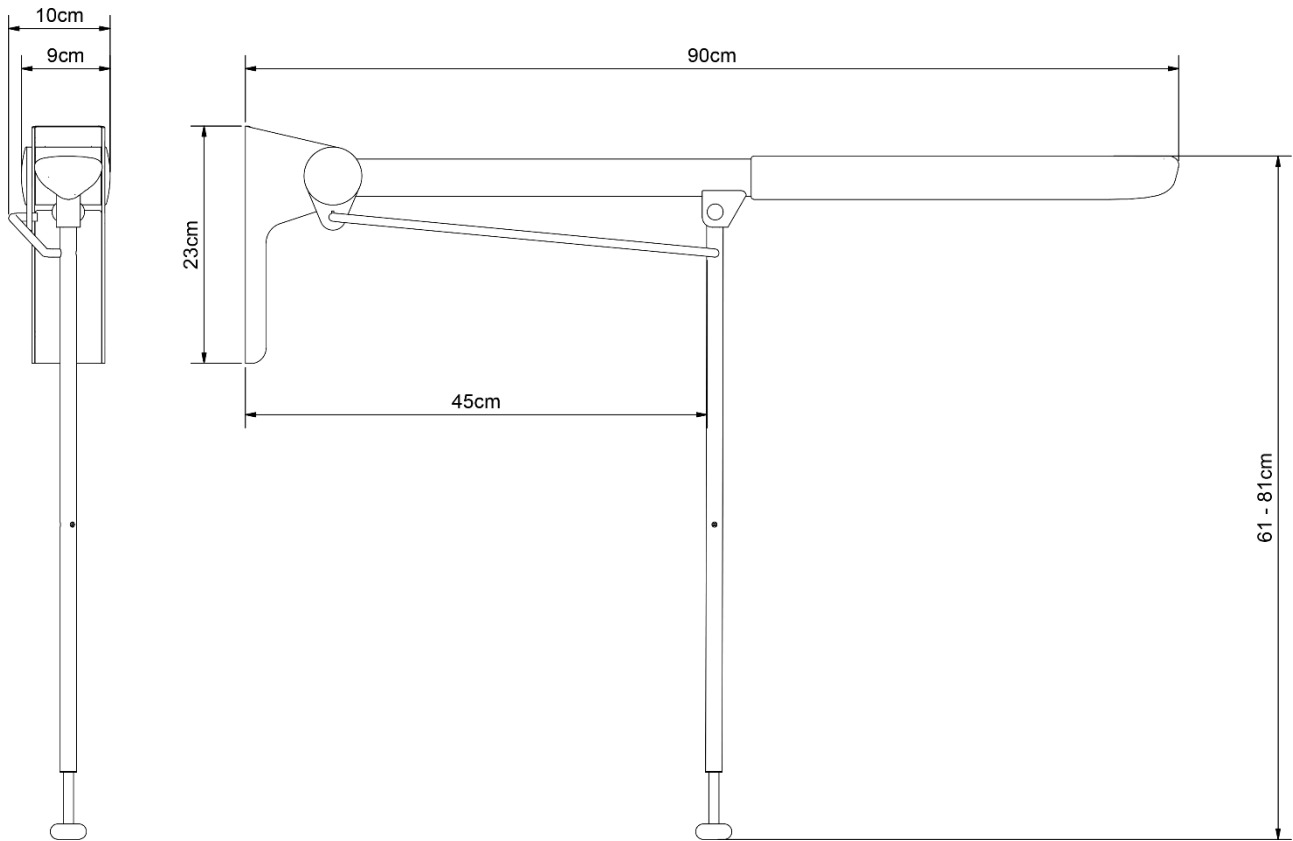


40-40421 / 40-40426 – Wave 90cm

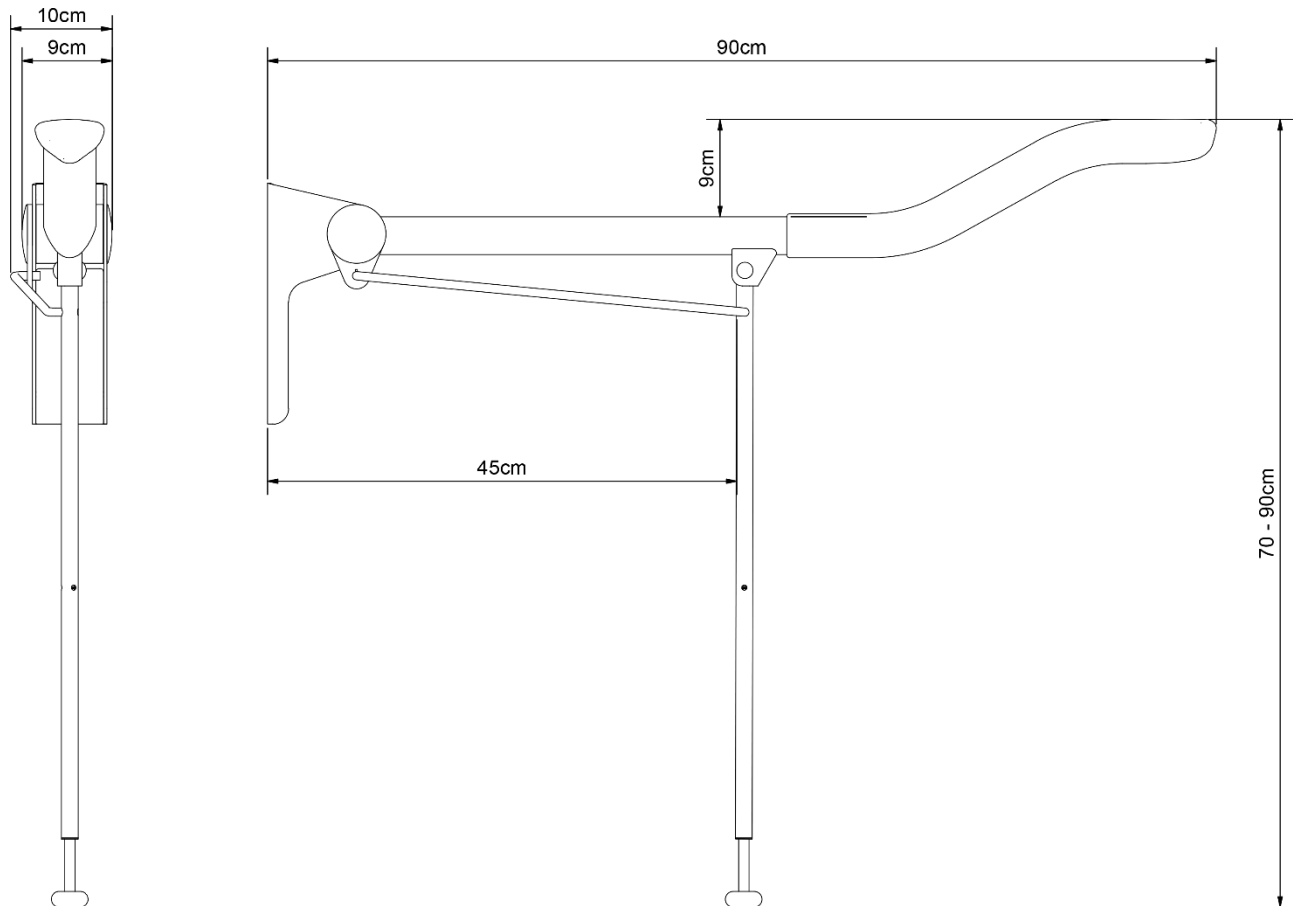




**40-40430 / 40-40435 – Straight 90cm with support legs**



**40-40431 / 40-40436 – Wave 90cm with support legs**



## 4. Instructions for use

### 4.1 Mounting interfaces

#### All models of Straight and Wave

##### Construction

The wall must be made of screw-retaining material approved for wet rooms.

The shaded area indicates the minimum area for wall reinforcement.

Reinforcement is best installed from floor to ceiling.

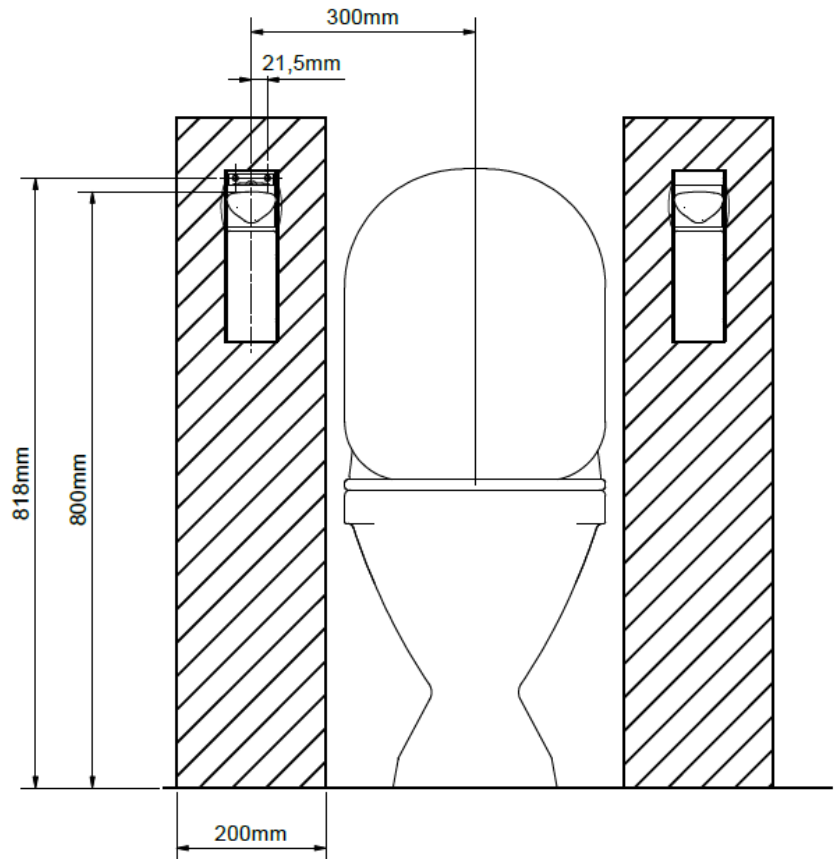
All toilet supports are load tested according to DS/ISO 17966, the maximum user weight is set to:

##### Max. user weight according to DS/ISO 17966

40-40400 / 40-40405: 250 kg  
40-40401 / 40-40406: 250 kg  
40-40402 / 40-40407: 250 kg  
40-40420 / 40-40425: 250 kg  
40-40421 / 40-40426: 250 kg  
40-40430 / 40-40435: 330 kg  
40-40431 / 40-40436: 330 kg

##### Max. torque top screws

40-40400 / 40-40405: 125 kg  
40-40401 / 40-40406: 125 kg  
40-40402 / 40-40407: 150 kg  
40-40420 / 40-40425: 125 kg  
40-40421 / 40-40426: 150 kg  
40-40430 / 40-40435: 125 kg  
40-40431 / 40-40436: 125 kg



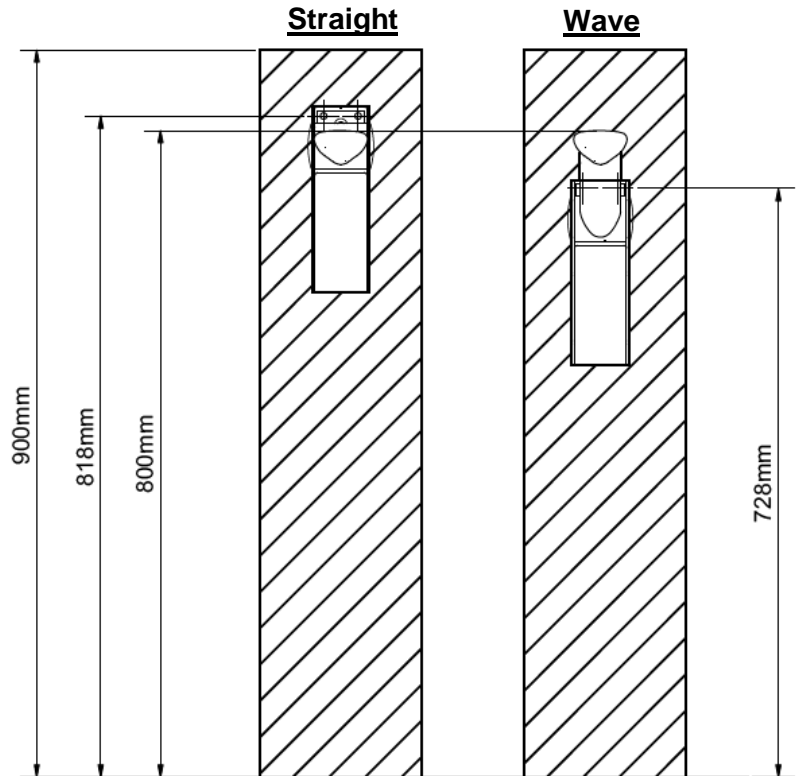
**Please note**

All measurements are based on a fixed height of the toilet support of 800 mm above floor level. If this measurement is to be changed, the recommended measurements must be changed accordingly.

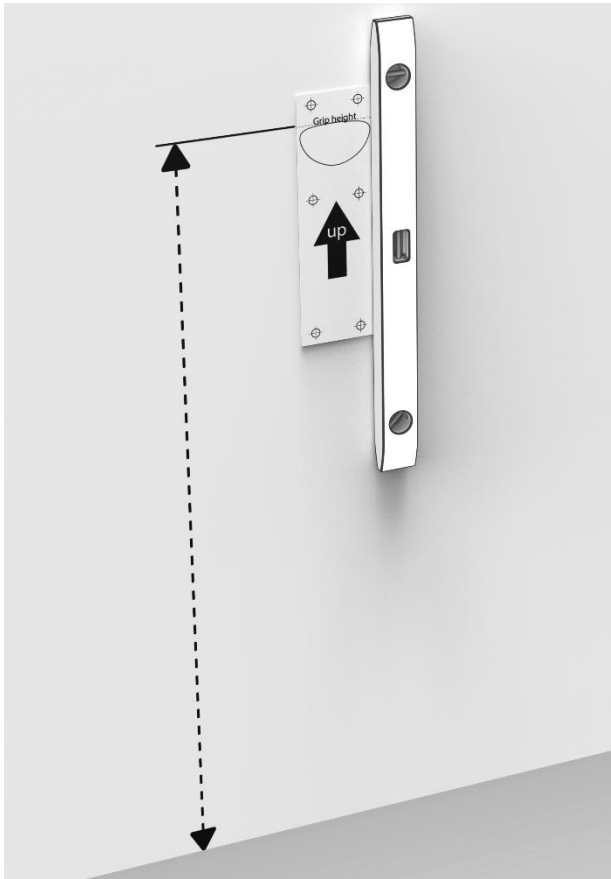
The unit comes with a set (6 pcs) of screws and wall plugs that are intended for mounting on a concrete wall. The installer must always assess the material, nature and strength of the wall and use suitable screws and wall plugs for that particular type of wall.

A mounting template is enclosed for marking out the 6 mounting holes on the bracket.

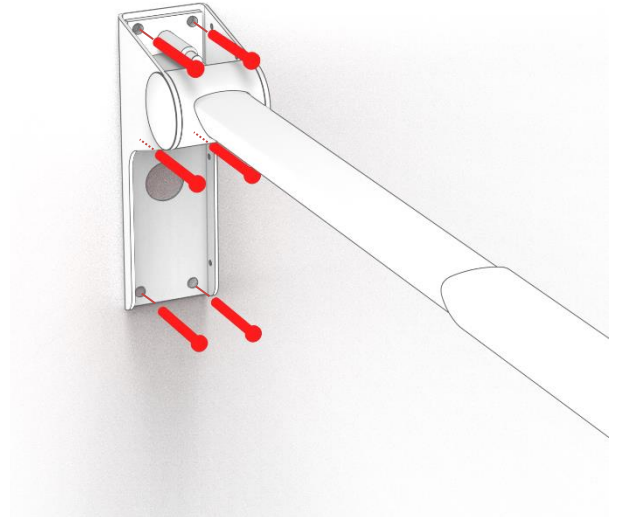
User heights (top edge of toilet support) and installation heights (top holes in template/bracket).



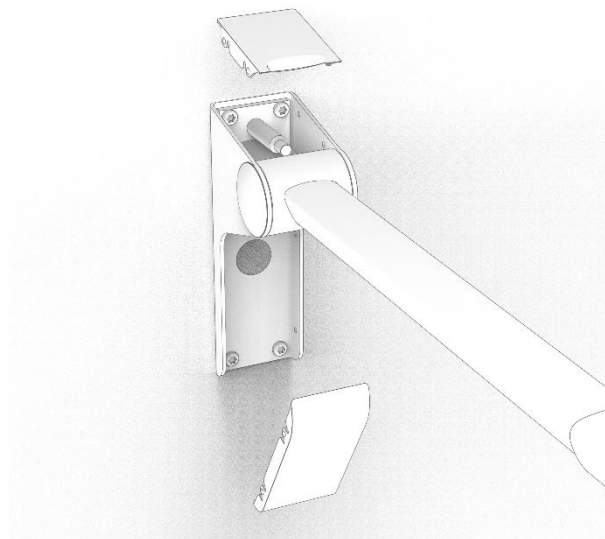
## 4.2 Installation instructions



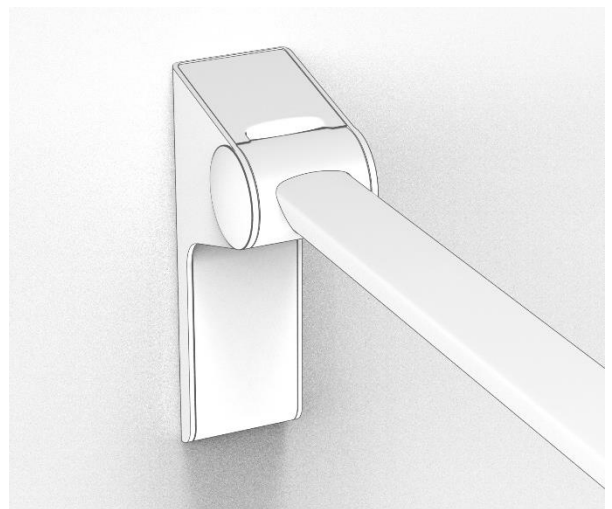
1. Use the included mounting template to mark the holes based on the desired height of the toilet seat. The dotted line on the template marks where the top of the handle will be.
2. Drill the holes and insert suitable wall plugs.



3. Screw the toilet support to the wall. Be careful not to hit the drum with the screwdriver when installing the top screws.



4. Install the upper and lower cover plate.

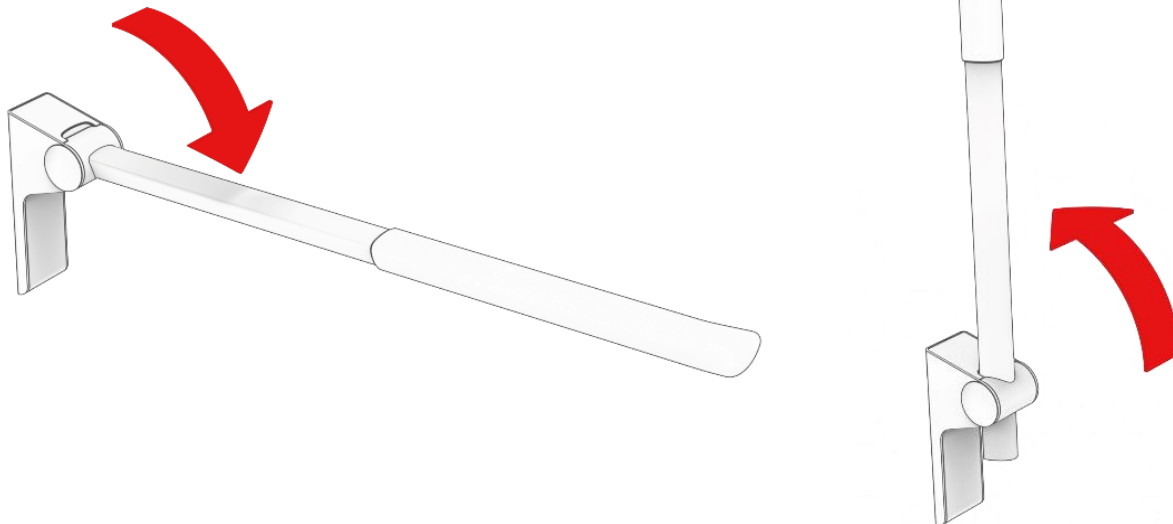


### Warning!

Before using the product for the first time, always load test it yourself. This is to ensure that the product is properly attached to the wall. If this is not done, the user risks serious bodily injury from a fall should the toilet support not be properly attached.

### 4.3 Operating the product

The toilet support can rotate 90° to vertical position. The support is designed to be left in any position between 0° and 90° angle.



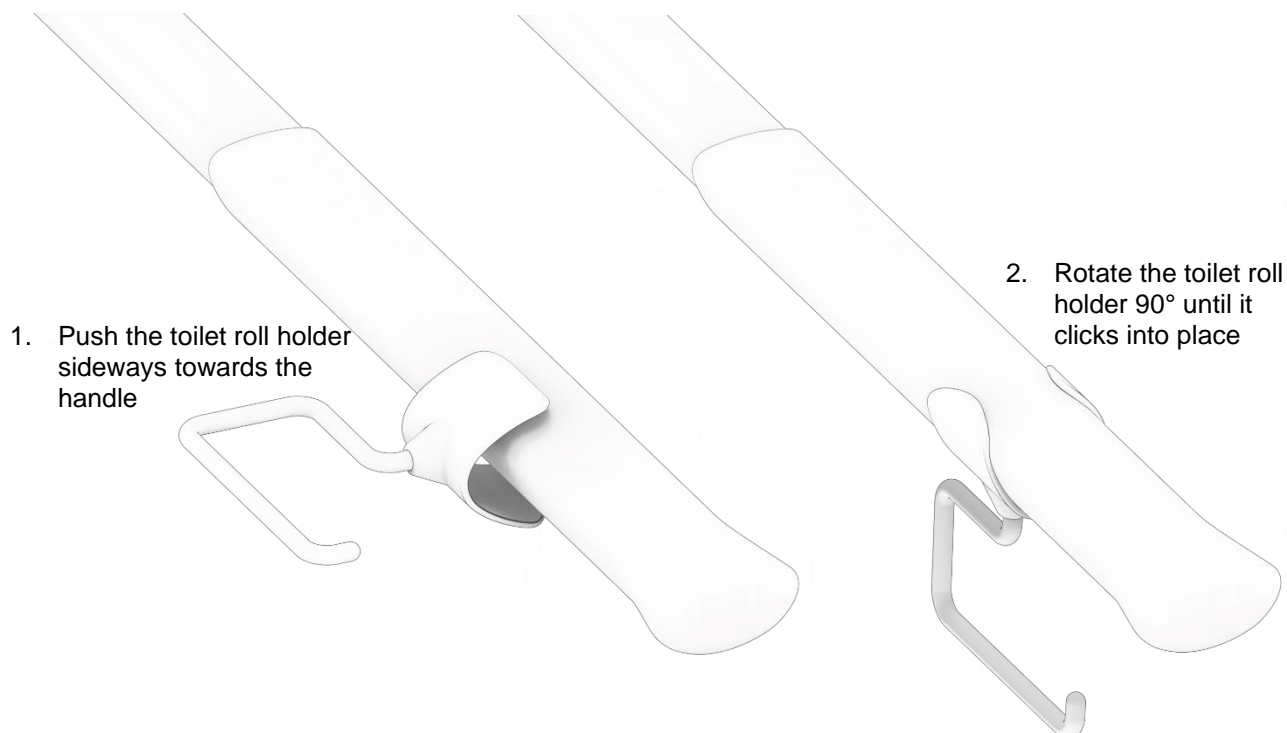
#### Warning!

Always position the product so that it can move freely through its intended arc without hitting anything. Failure to comply may result in loss of product stability.

### 4.4 Use of toilet roll holder (optional extra)

#### Installation of toilet roll holder

The toilet roll holder can be optionally mounted on the rubber handle



### Orientation of the toilet roll

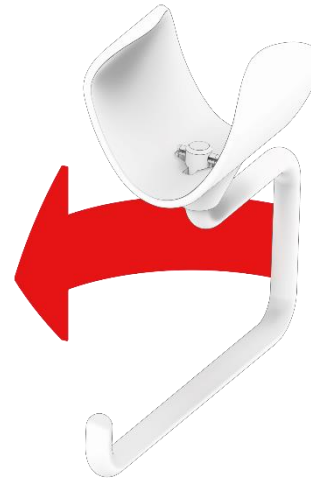
The toilet roll holder can be customised to hold the toilet roll in two different directions as desired

The toilet roll holder must be removed before orientation can be changed

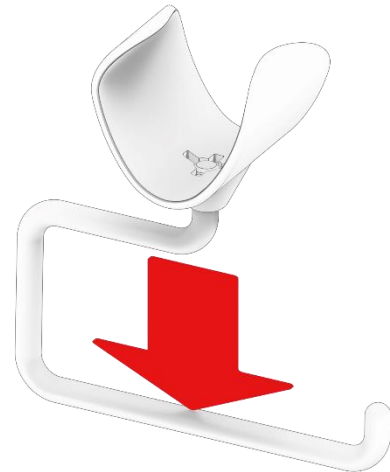
1. Push the holder up through the plastic bracket



2. Once the cross-pin is free of the plastic, the holder can be rotated 90° and pulled back into the plastic bracket



3. The toilet roll holder can now be reinstalled on the toilet seat




### **4.5 Adjusting friction discs**

In some cases, the toilet support can no longer be left in a given position between 0° and 90°, but drops back down to 0°. In such cases, the friction discs need to be readjusted. Follow these 3 steps:

- 1) Remove the round side covers, e.g. with a small flat screwdriver
- 2) Use a Torx 20 screwdriver to tighten one or both screws. Test along the way if the toilet support stays where it is left. Be careful not to overtighten the screws as this can make the support unnecessarily difficult to adjust.
- 3) Click the two side covers back on by pressing the two snap-fit tabs into the corresponding holes.

## 4.6 Safe use

	<p><b>Caution!</b></p> <ul style="list-style-type: none"><li>• Toilet support arms can become slippery when wet</li><li>• Be careful not to pinch your fingers when folding the toilet support arm up/down</li><li>• Carers or other personnel should avoid putting their feet under the support leg when folding it down</li></ul>
---	---

## 5. Cleaning

Clean using lukewarm water and a suitable all-purpose cleaner. Use a cloth or soft sponge to wash the product. Wipe the product with a wrung-out cloth.


For surface disinfection, chlorine-based disinfectants can be used as long as product specifications and safety precautions are followed, but the concentration must not exceed 1,000 ppm active chlorine. Ethanol-based disinfectants can also be used as long as product specifications and safety precautions are followed.

The following products have been tested by Ropox and can be used as long as they are diluted according to the product instructions.

### 5.1 Pre-approved disinfectants


Trade name	Solution
Diversey Suma Tab D4	1,000 ppm
Rodalon ®	Ethanol 70% v/v

Immediately after cleaning or disinfection, wipe the product with a cloth soaked in water and then a dry towel, otherwise the product may become discoloured or stained and the surface treatment may be damaged. Please note that the product can be expected to lose some shine or colour after prolonged use with normal cleaning intervals. The product can be disinfected independent of cleaning.

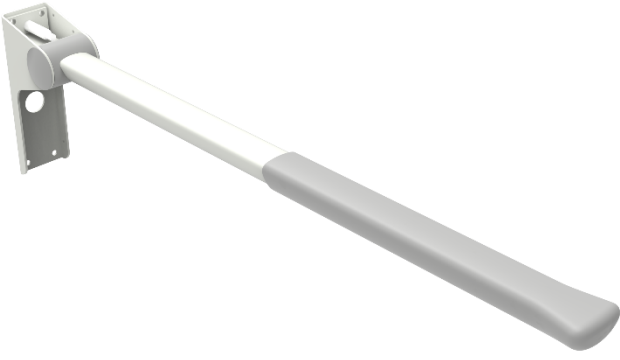
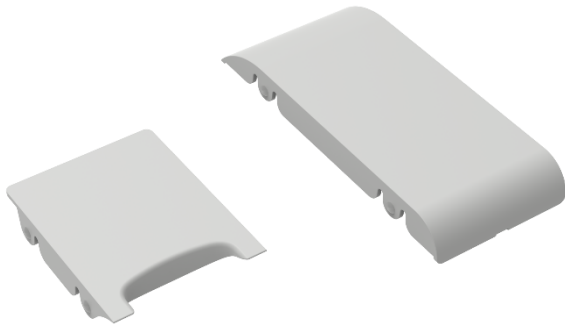
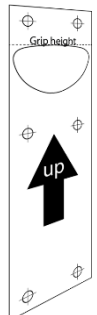
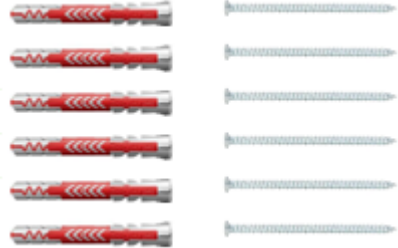
	<p><b>Important!</b></p> <p>Do not use cleaning agents that contain abrasive substances, e.g. scouring powder, steel wool, scouring pad.</p> <p>This product is not designed to be sterilised. Autoclaving and sterilisation beyond normal cleaning can alter product safety and function.</p>
---	--


## 6. Maintenance

The toilet support is maintenance free. For safety reasons, we recommend regular inspection of all bolted connections and moving parts to ensure that no parts are loose and that fastenings to the wall are intact.

	<p><b>Please note!</b></p> <p>Failure to perform regular maintenance may result in degradation of the product's function and safety.</p>
---	--

## 7. Component list

<p>1 pce. Toilet support, model varies</p> 	<p>1 pce. Upper cover plate 1 lower cover plate</p> 
<p>1 pce. Templates</p> 	<p>1 set Wall plugs and screws</p> 

	<p><b>Please note!</b></p> <p>Ropox provides parts lists for extraordinary maintenance and repair beyond what is described in this manual. Repairs beyond what is described in this manual may only be carried out by Ropox authorised service personnel.</p>
---	---

## 8. Environmental considerations

The product is not intended for disposal as municipal waste. Proper disassembly, sorting and disposal of components must be performed by waste management.



Component	Disposal recommendation
Cover plates	Residual waste
Toilet support	Metal
Rubber grip	Residual waste



## 9. Accident/incident reporting

The manufacturer of this product recommends that any accident/incident related to this product that fulfils all of the criteria below should be reported to the relevant authority and to the manufacturer.

1. *An accident/incident has happened – or could have happened*
2. *The medical device is considered a contributing factor to the incident and*
3. *The accident resulted – or could have resulted – in one of the following consequences:*
  - *Death of a patient, user or third party*
  - *A serious deterioration in the patient's, user's or third party's health condition, including in the form of:*
    - *1. Life-threatening disease*
    - *2. Permanent injury or disability*
    - *3. Necessary medical or surgical treatment to prevent life-threatening illness, permanent injury or disability*
    - *4. Foetal death, birth defects or congenital abnormalities.*



**Ropox A/S**

Ringstedgade 221  
DK-4700 Næstved

Phone: +45 55 75 75 05 00

E-mail: [info@ropox.dk](mailto:info@ropox.dk)

[www.ropox.dk](http://www.ropox.dk)