



ErgoBord/ErgoTable/ErgoTisch

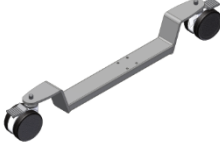
Accessories

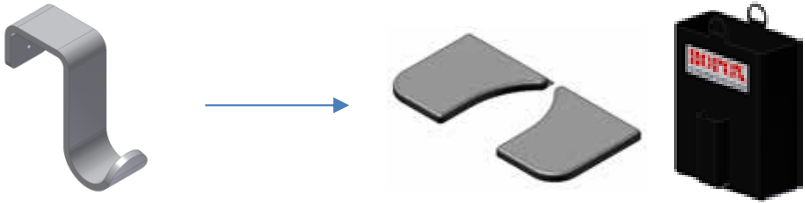
Keep this manual with the product


- 1.1** 20-50340

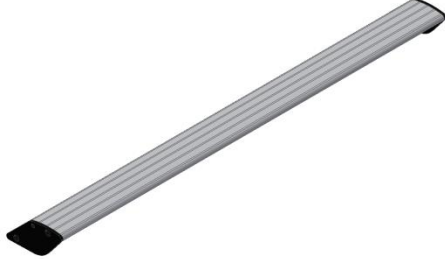

- 1.2** 20-50300


- 1.3** 20-70502


- 1.4**

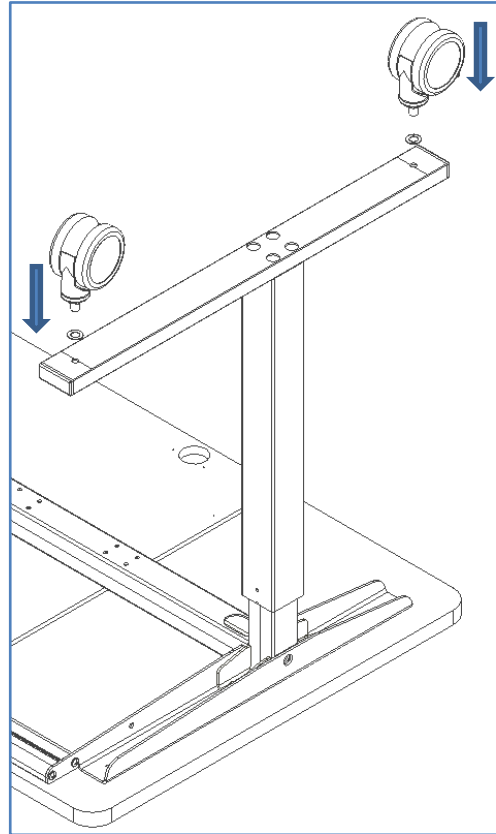
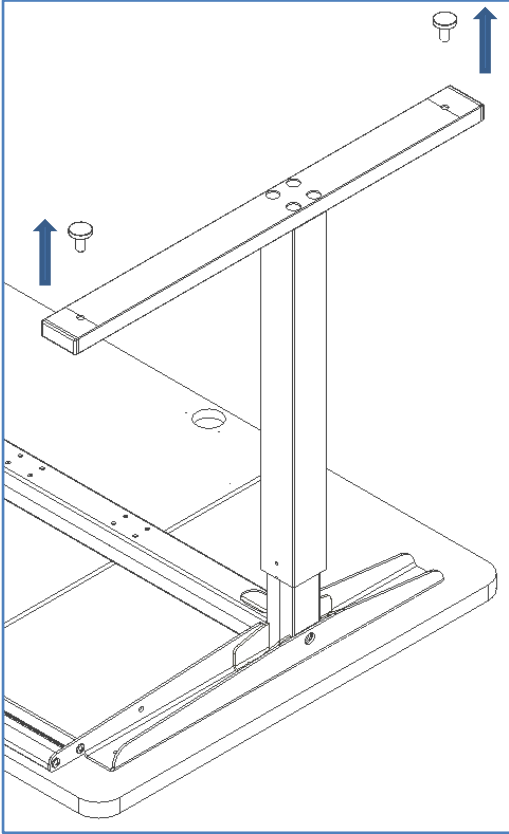

- 1.5** 20-70500: 90 cm
20-70501: 120cm


- 1.6** 20-70509: 90x60cm B
20-70510: 120x60cm B
- 1.7** 20-70513: 90x60cm C+D
20-70514: 120x60cm C+D

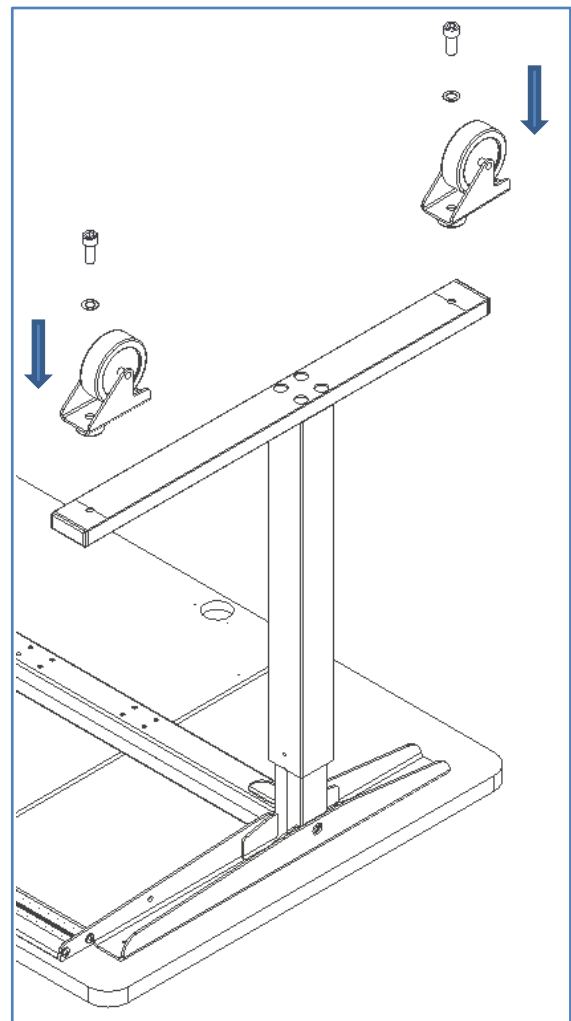
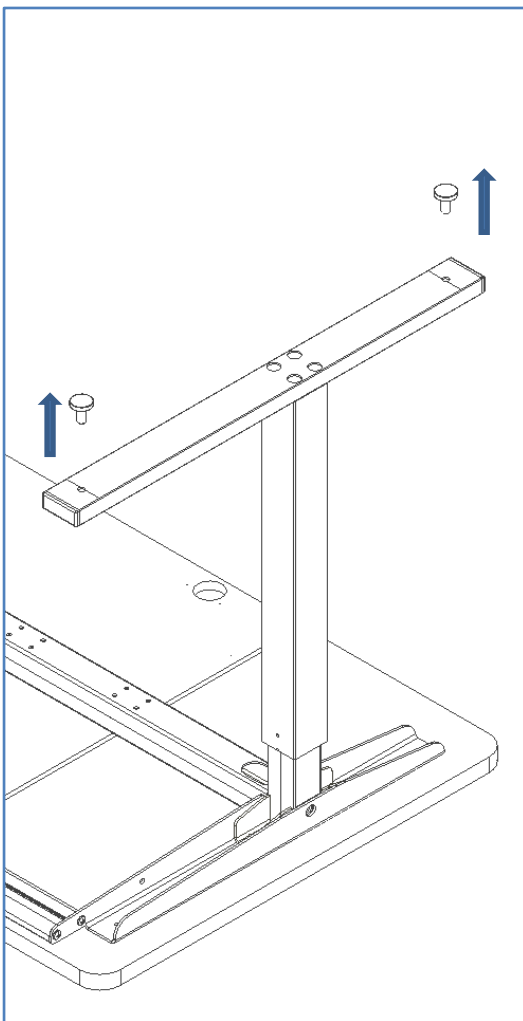
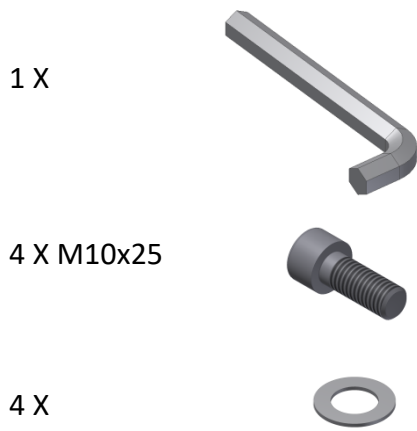


1.1: 20-50340

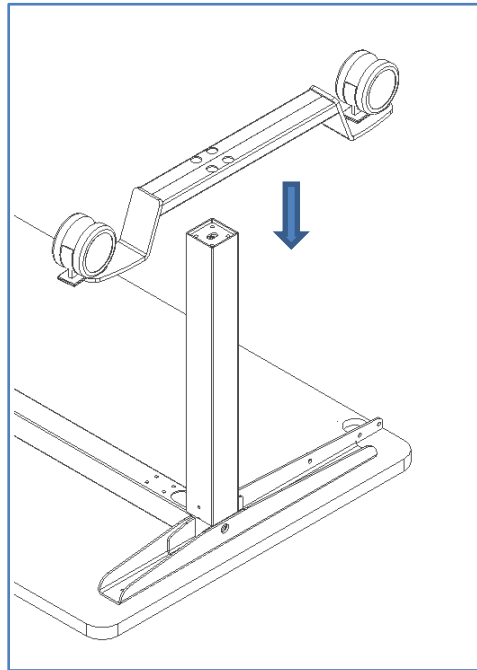
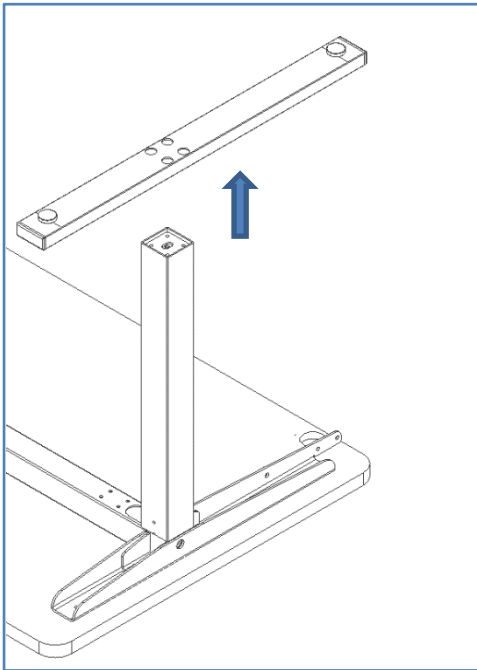
4 X



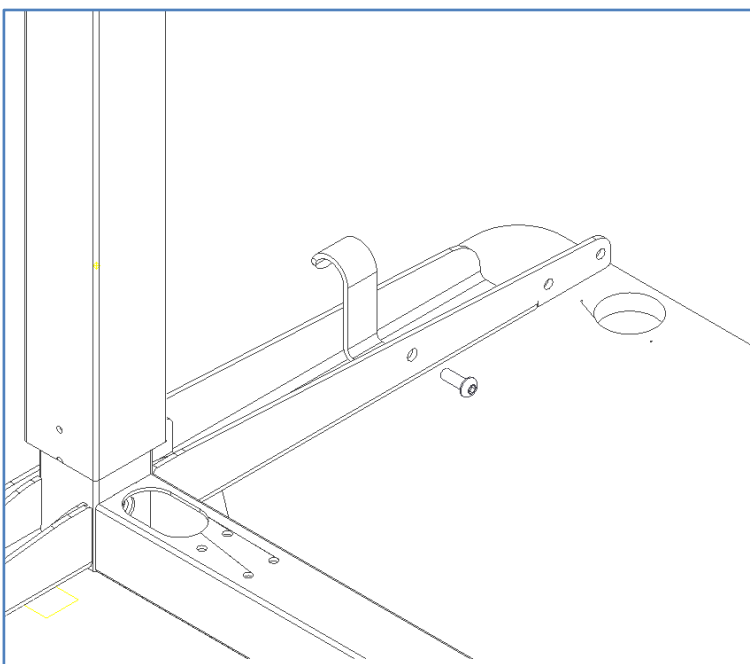
1.2: 20-50300



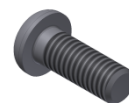
1.3: 20-70502



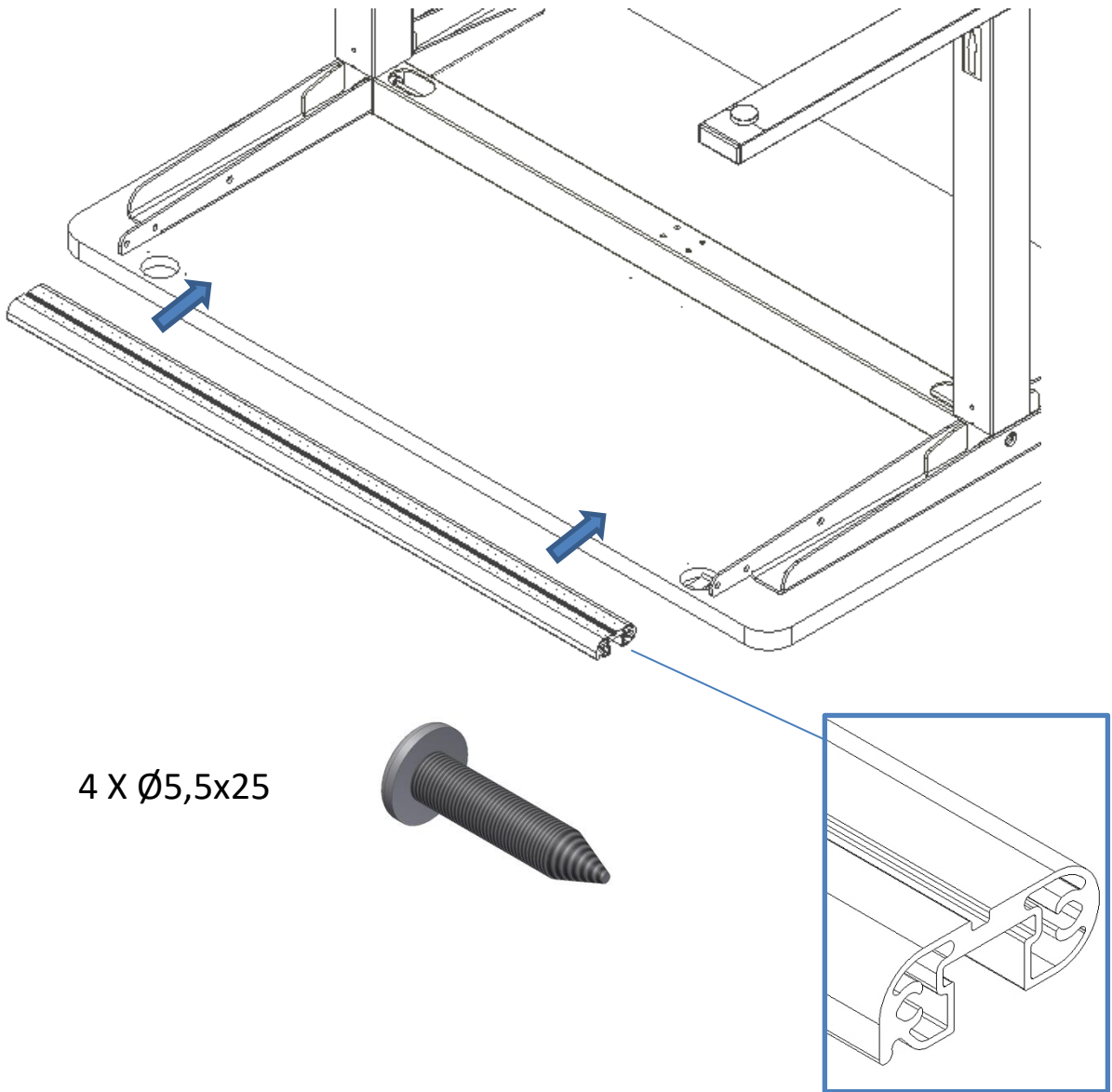
1.4



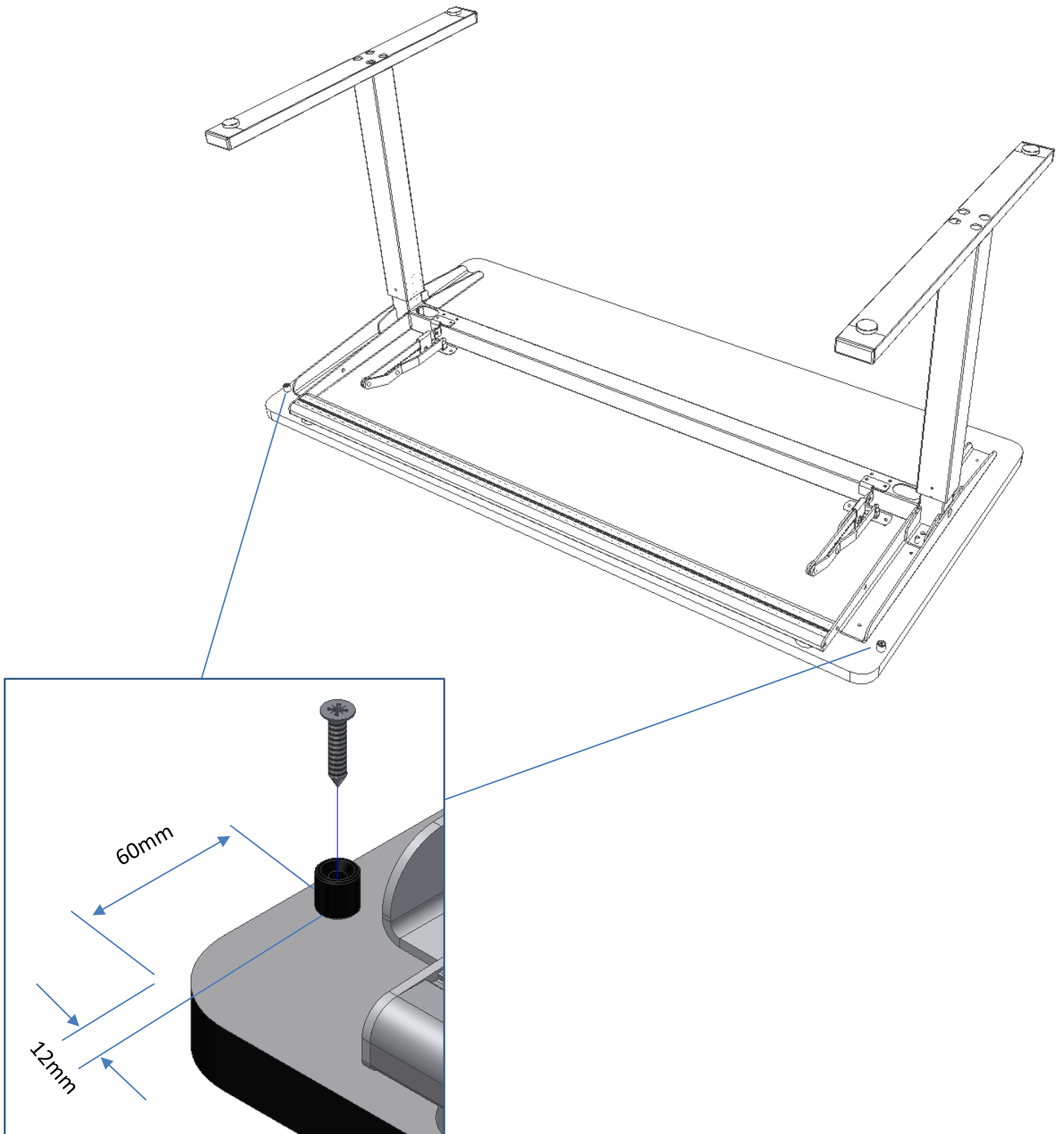
1 X M6x16



1.5: 20-70500 + 20-70501

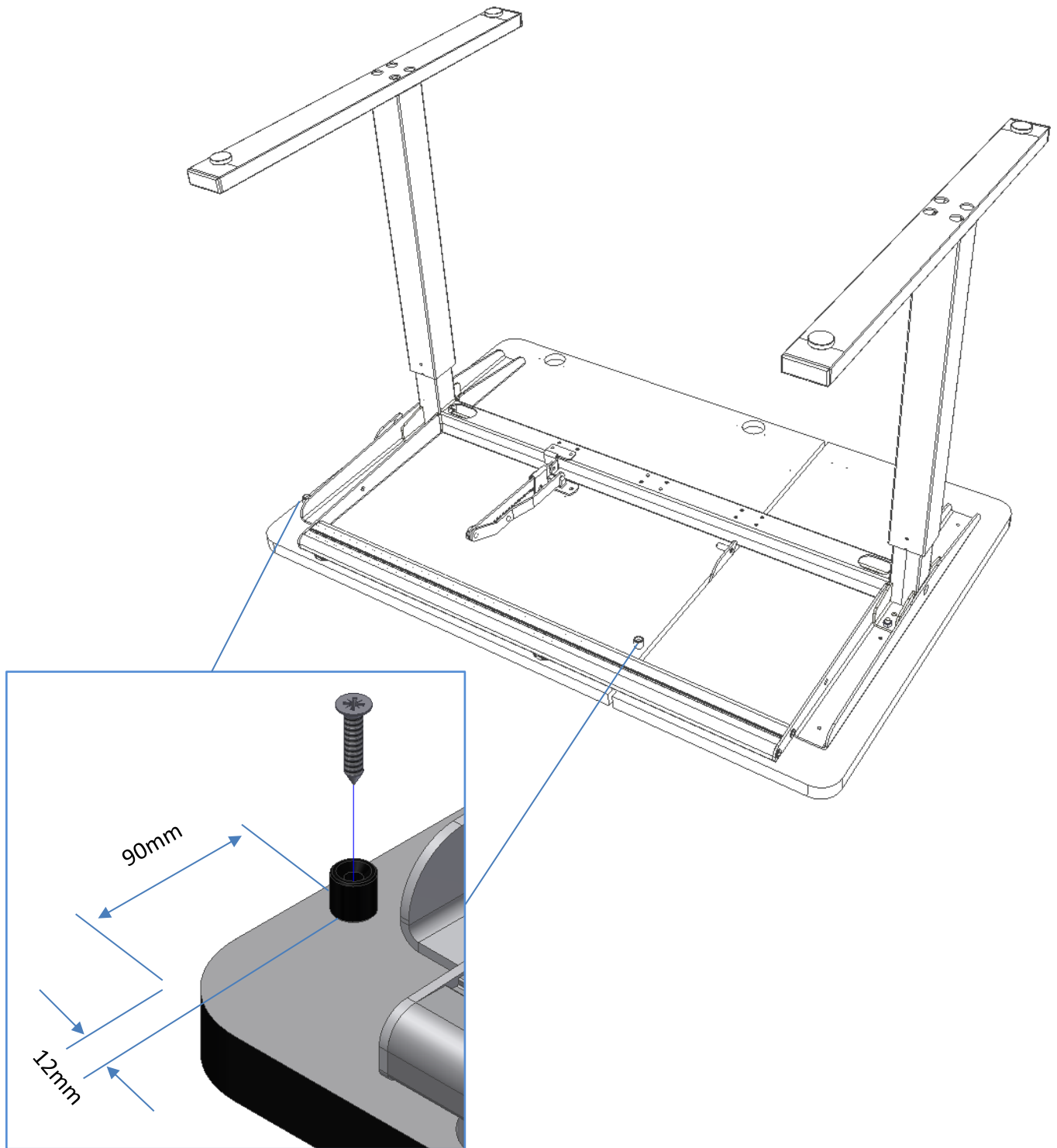


1.6: 20-70509 + 20-70510





1.7: 20-70513 + 20-70514





If supporting ruler is placed between 230mm and 350mm from front side of tabletop it will not be possible to lay tabletop flat/level as supporting ruler will hit the table frame.

