



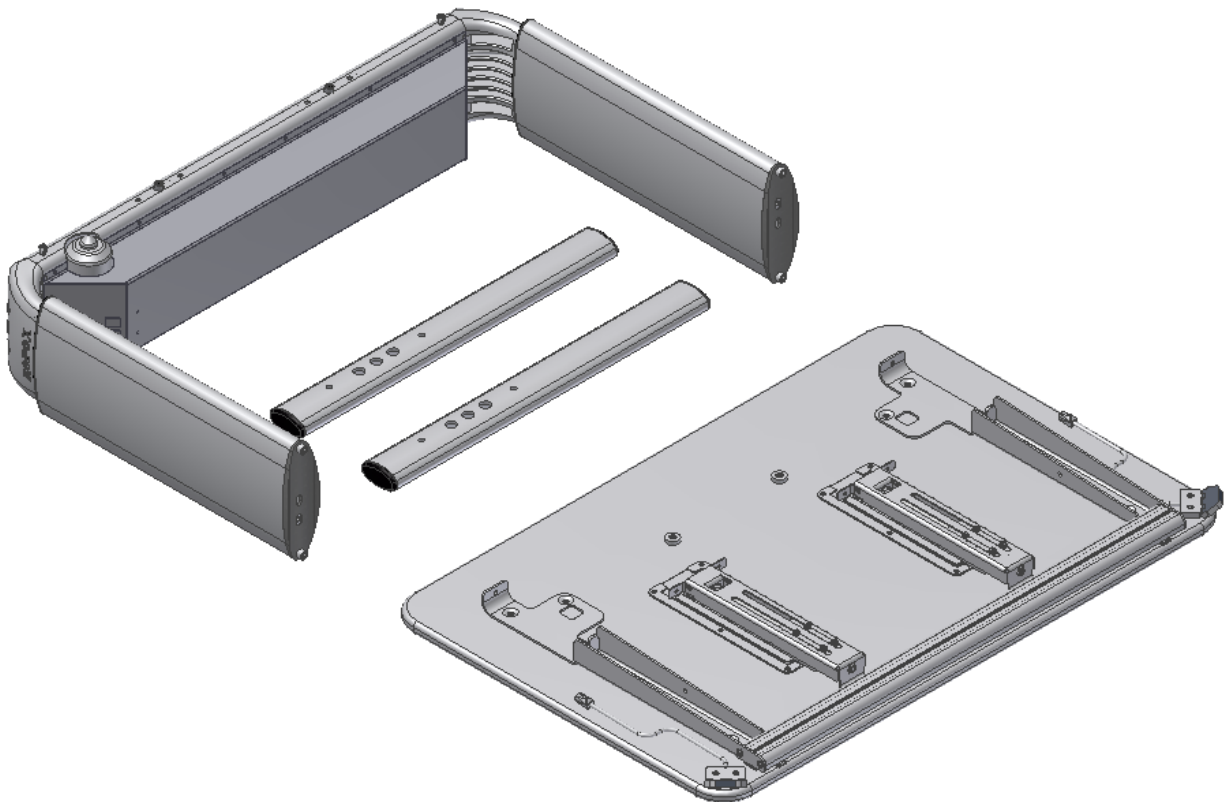
Ropox Vision Electric

User manual

Mounting instruction

Keep always this folder with product!

Warning:
KEEP TABLETOP IN BOX during assembly of leg section,
otherwise tabletop will be damaged & right to complain becomes void.



Contents:

1. TECHNICAL DATA	4
2. INTRODUCTION	5
3. COMPLIANCE WITH EU-DIRECTIVES	5
4. APPLICATION	5
5. MODELS	6
6. COMPONENTS	8
7. MOUNTING INSTRUCTION	11
8. HEIGHT ADJUSTMENT OF TABLE	16
9. OPERATION OF TILTING FACILITY	16
10. MOVING THE TABLE	17
11. MAGRULE (ACCESSORIES)	17
12. MOUNTING OF ARMSUPPORT (ACCESSORIES)	18
13. PERFORMANCE TEST	19
14. SAFETY IN USE	19
15. CLEANING/ MAINTENANCE	20
15.1 Cleaning of frame	20
15.2 Cleaning of tabletop, laminate	20
15.3 Maintenance	20
16. FAULT FINDING	21
16.1 The table seems loose or unstable	21
16.2 The height/tilting cannot be adjusted (adjustment is very difficult)	21
17. ACCESSORIES	22
18. COMPLAINTS	23

1. Technical data

Product name:	Ropox Vision Electric Type A, B, C, D, E, F, G Tabletop: 90x60 cm, 120x60 cm
Item numbers:	20-60XXX-21
Height range:	60–90 cm (electric) incl. tabletop
Frame material:	Aluminium leg. 606045-T6 Stål St. 37 Various plastic components
Tabletop:	Laminate
Power supply:	230VAC / 2,5A / 50Hz
Standby primary:	1W
Control voltage:	24VDC
Duty circle.:	Max. 10 % conform to 1 min. active / 9 min. pause
Speed:	Ca. 32 mm/sec
Lifting time:	Ca. 10 sec.
Temperature:	5-45° C
Air humidity:	5-85 % (non-condensing)
Surface treatment:	Anodiseret Powder coating, various colours Chromating
Max. Load on the table (static):	100 kg evenly distributed over the entire tabletop
Max. Load during lifting (dynamic):	50 kg
Max. load on the tabletop tilted (static):	30 kg
Max. load during tilting the tabletop (dynamic):	4 kg
Complaints:	See complaints, section 25
Manufacturer:	Ropox A/S, DK-4700 Naestved, Tlf.: +45 55 75 05 00 E-mail: info@ropox.dk , www.ropox.com

2. Introduction

VISION is the new range of modern height-adjustable Ropox tables. In our opinion a product must be functional and beautiful – no matter who is going to use it. That's what we call VISION.

Vision is available in several sizes to suit individuals and carers needs. Sufficient legspace makes the table ideal for wheelchair users and gives the therapist optimum working conditions in a training situation. Due to the unique design with rounded corners there is no danger of hitting sharp edges when moving round the table and two inconspicuous castors at the back, make it easy to draw the table closer to the user. As an option extra arm supports may be clipped on and off as required.

Vision meets all needs and ensures ergonomically correct working positions for people with or without disability.



This document should always accompany the product and be read by and be available to the user.

Correct use, operation and inspection are decisive factors for efficient and safe performance.



As this product is adjustable in height there is a risk of squeezing. The product must therefore always be operated by or under the guidance of an experienced adult, who has read and understood the importance of section "Safety in use".

It is very important that there are no obstacles between the tilted tabletop and the frame to prevent any change of entrapment.



Maglist: Our maglists with magnets can affect pacemakers and implanted heart defibrillators which can cause discomfort and sickness.
Persons that use such devices must therefore keep sufficient distance from magnets.

3. Compliance with EU-directives and UK-directives

This product has CE-marking according to the current Directives and thus complies with the basic safety requirements.

This product has UKCA-marking according to the current Directives and thus complies with the basic safety requirements.

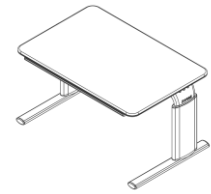
4. Application

Vision is designed to obtain optimum working height for the user. It is an activity table not intended for lifting people or objects.

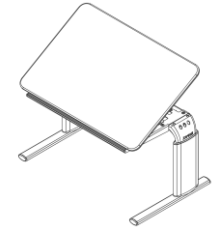
Vision should be used indoor, at temperatures and humidity as described in section 1.

5. Models

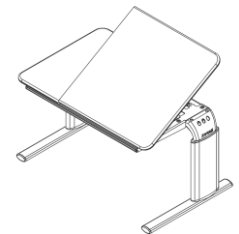
Model name	Description	Size	Height 60-90cm
Vision Electric A	Without tilting of tabletop	90x60cm	20-60020-21
Vision Electric A	Without tilting of tabletop	120x60cm	20-60220-21



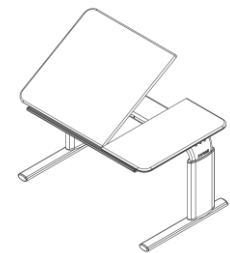
Model name	Description	Size	Height 60-90cm
Vision Electric B	Tilt-function of entire tabletop	90x60cm	20-60021-21
Vision Electric B	Tilt-function of entire tabletop	120x60cm	20-60221-21



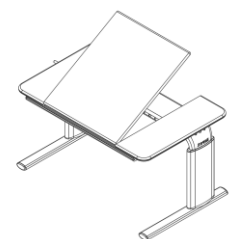
Model name	Description	Size	Height 60-90cm
Vision Electric C	Devided tabletop, right side tilt section	90x60cm Fixed plate: 30cm Adjustable plate: 60cm	20-60022-21
Vision Electric C	Devided tabletop, right side tilt section	120x60cm Fixed plate: 30cm Adjustable plate: 60cm	20-60222-21



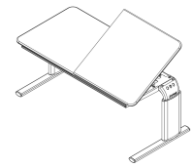
Model name	Description	Size	Height 60-90cm
Vision Electric D	Devided tabletop, left side tilt section	90x60cm Fixed plate: 30cm Adjustable plate: 60cm	20-60023-21
Vision Electric D	Devided tabletop, left side tilt section	120x60cm Fixed plate: 30cm Adjustable plate: 90cm	20-60223-21



Model name	Description	Size	Height 60-90cm
Vision Electric E	Devided tabletop, middle tilt section	90x60cm Fixed plate: 20cm Adjustable plate: 50cm Fixed plate: 20cm	20-60024-21
Vision Electric E	Devided tabletop, middle tilt section	120x60cm Fixed plate: 30cm Adjustable plate: 60cm Fixed plate: 30cm	20-60224-21



Model name	Description	Size	Height 60-90cm
Vision Electric F	Devided tabletop, right side tilt section	120x60cm Fixed plate: 60cm Adjustable plate: 60cm	20-20225-21



Model name	Description	Size	Height 60-90cm
Vision Electric G	Devided tabletop, left side tilt section	120x60cm Fixed plate: 60cm Adjustable plate: 60cm	20-60226-21



6. Components

Leg section 1 pc.

Contains:

Beam:

90x60cm: 20-60320-397, 1 pc.

120x60cm: 20-60320-409, 1 pc.

Leg:

20-60320-065, 2 pcs.

Screws M6x16, 95010618, 4 pcs.

Screws M8x30, 95010830, 4 pcs.

Motor box:

90x60cm: 97701-787, 1 pc.

120x60cm: 97701-792, 1 pc.

Flexible spindle/axle 90x60cm:

B+E: 20-60320-413, 2 pcs.

C+D: 20-60320-413, 1 pc.

Flexible spindle/axle 120x60cm:

B: 20-60320-423, 2 pcs.

C+D: 20-60320-423 + 20-60320-424, 1 + 1

E: 20-60320-424, 2 pcs.

F+G: 20-60320-424, 1 pc.

Centre axle:

F+G: 20-60320-292, 1 pc.

Motor:

A: 96000553, 2 pcs.

B-G: 96000553, 3 pcs.

Motorcable:

A: 96000539, 2 pcs.

B-G: 96000539, 3 pcs.

Control unit:

A: 20-60320-611 1 pc.

B-G: 20-60320-612 1 pc.

Power cable 30-30002, 1 pc.

Split print:

B-G: 98002081, 1 pc.

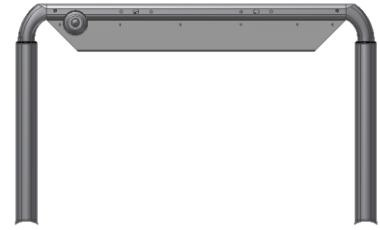
Communication cable:

B-G: 98002107, 1 pc.

Klemliste:

C+D+F+G: 30-69056, 1 pc.

E: 30-69056, 2 pcs.



Adapter cable:

C-G: 96000598, 1 pc.

Adapter plug:C+D+F+G: 98002091, 1 pc.
E: 98002091, 2 pcs.**Split cable:**

E: 96000657, 1 pc.

Feet mounted with plugs and adjusting screws

20-60320-045 2 pcs.

Tabletop 1 pc.Contains:**Tabletop:**

A 90x60cm: 64109060

B 90x60cm: 64109061

C + D 90x60cm: 64109062

E 90x60cm: 64109064

A 120x60cm: 64112060

B 120x60cm: 64112061

C + D 120x60cm: 64112062

E 120x60cm: 64112064

F + G 120x60cm: 64112065

Support arms 90x60/120x60 cm:

Right: 20-60320-168 1 pc.

Left: 20-60320-165 1 pc.

Front profile:

90x60cm: 20-60320-077 1 pc.

120x60cm: 20-60320-108 1 pc.

Tabletop bracket (not for table B):

90x60cm: 97702-034 1 pc.

120x60cm: 97702-034 1-2 pcs.

Hinges for tabletops (not for table A):

20-60320-140 2 pcs.

Tilting 90x60cm:

B: 20-60320-026, 2 pcs.

C+D+E: 20-60320-026, 1 pc.

Skråstilling 120x60cm:

B-G: 20-60320-026, 2 pcs.



Gearbox for tilting 90x60cm:

B: 96000656, 2 pcs.

C+D+E: 96000656, 1 pc.

Gearbox for tilting 120x60cm:

B-G: 96000656, 2 pcs.

Handcontrol:

A: 93000039 1 pc.

B-G: 93000039 2 pcs.

Allen key 4mm 95001019: 1 pc.

Allen key 6mm 95000006: 1 pc.

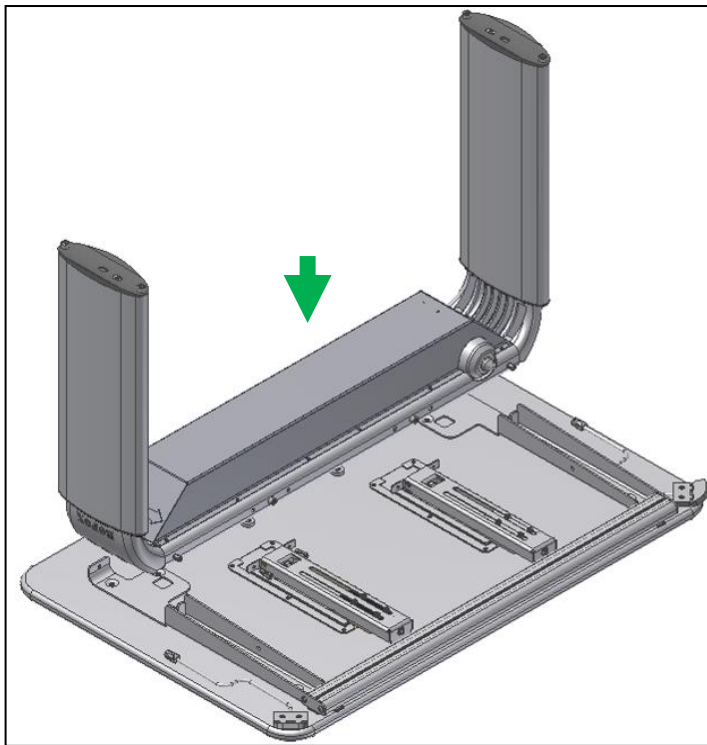


7. Mounting instruction

The following parts are included:

Leg section	x1	Tabletop incl. frame	x1
Feet	x2	Screws M8x16	x4
Screws M6x16	x4	Screws M5x16 (number depending on type and size)	

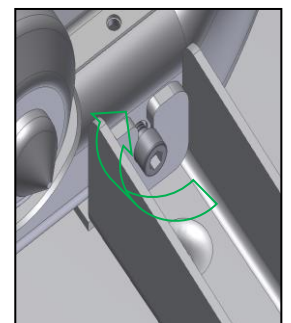
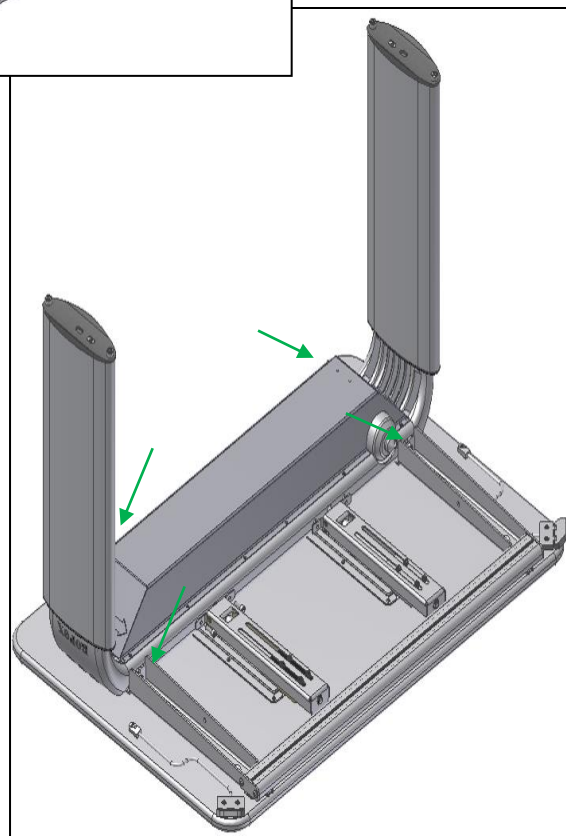
1. Mounting of legsection



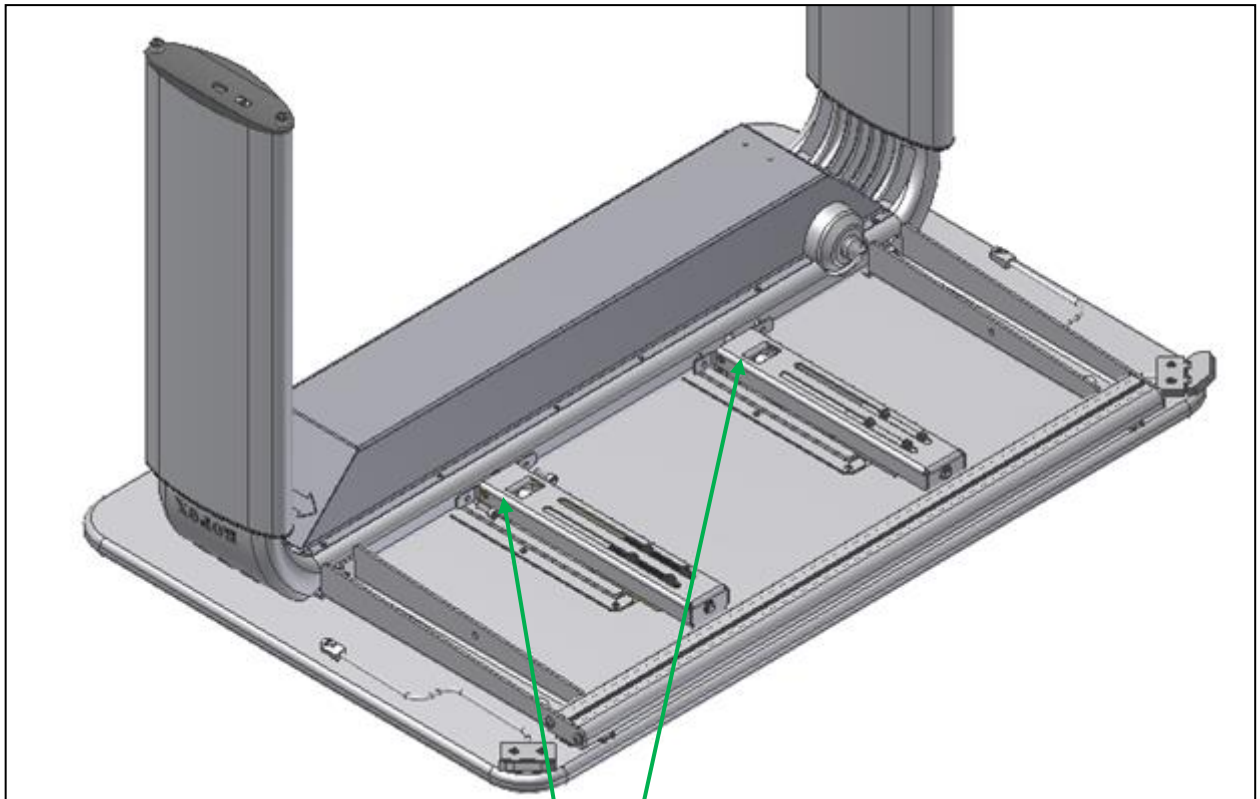
Allen key 5mm



4x M6x16



2. Mounting of tilting fitting of tabletop (not table A)



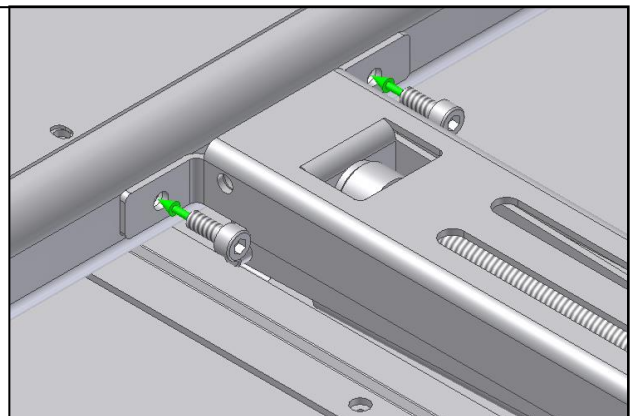
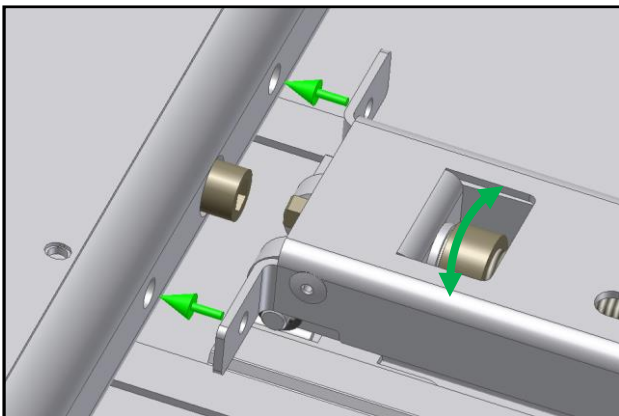
Allen key 4mm



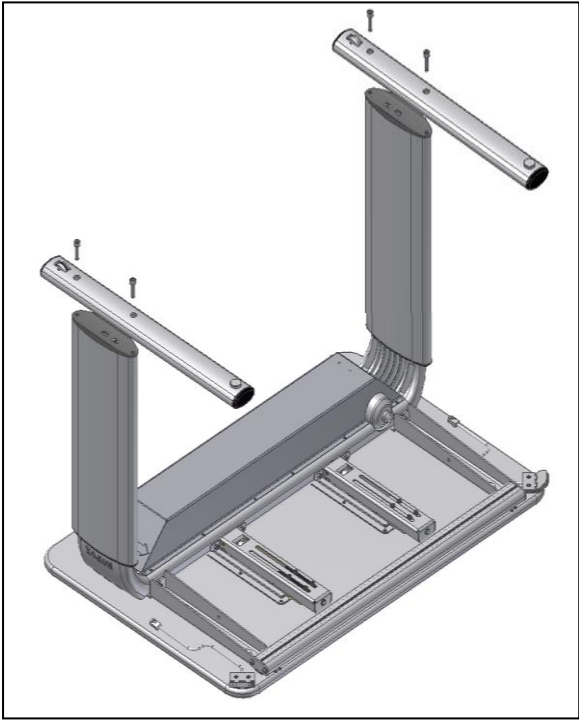
M5x16

1

2



3. Mounting of feet

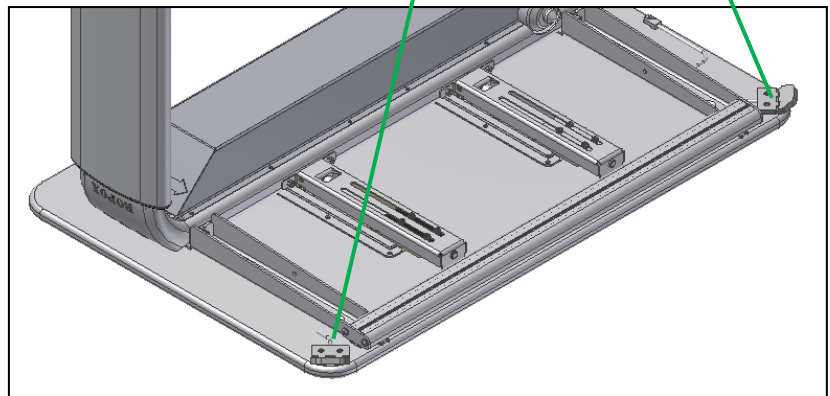
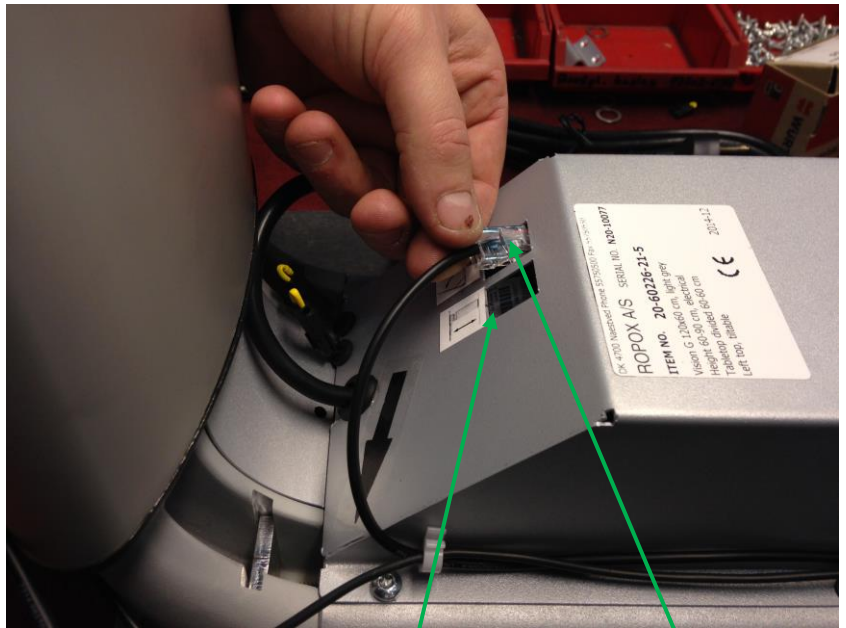


4x M8x16

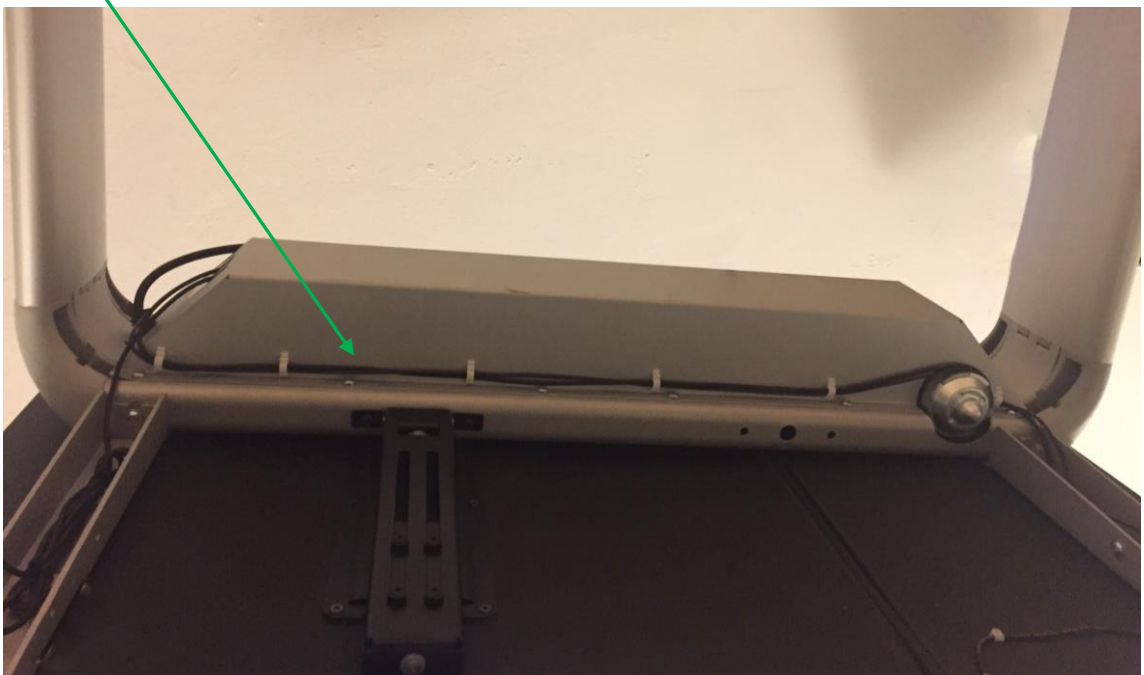


Allen key 6mm

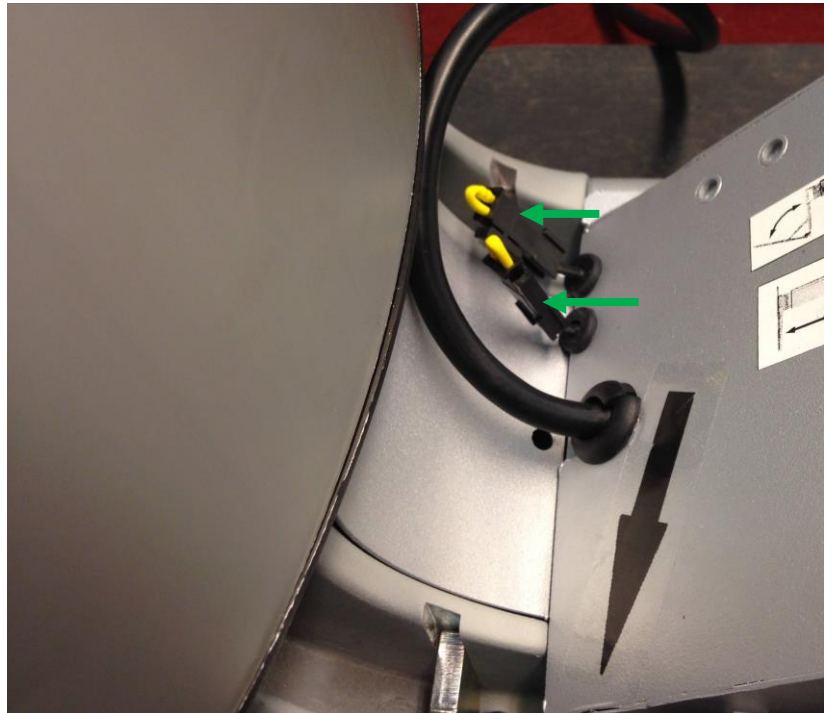
Mounting of control panel for height adjustment and tilting.



Wiring



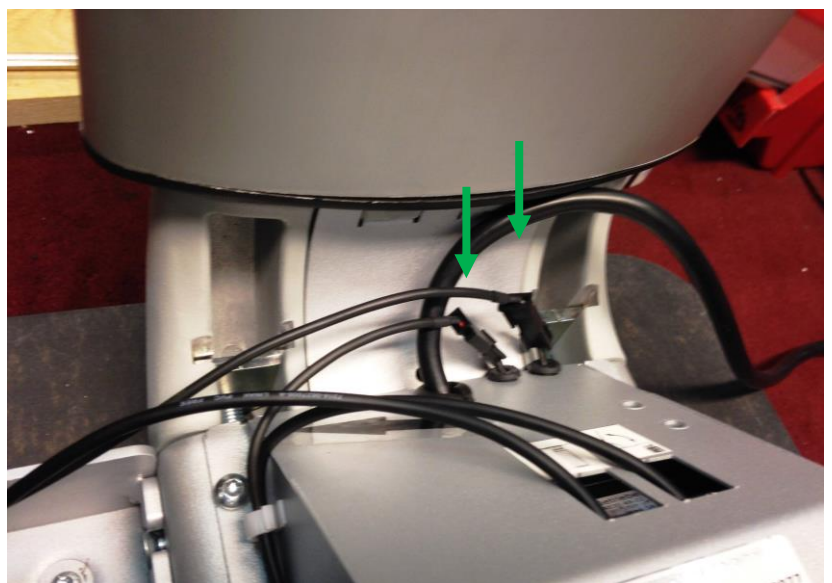
Connecting of safety strip (for C + D + E + F + G models)



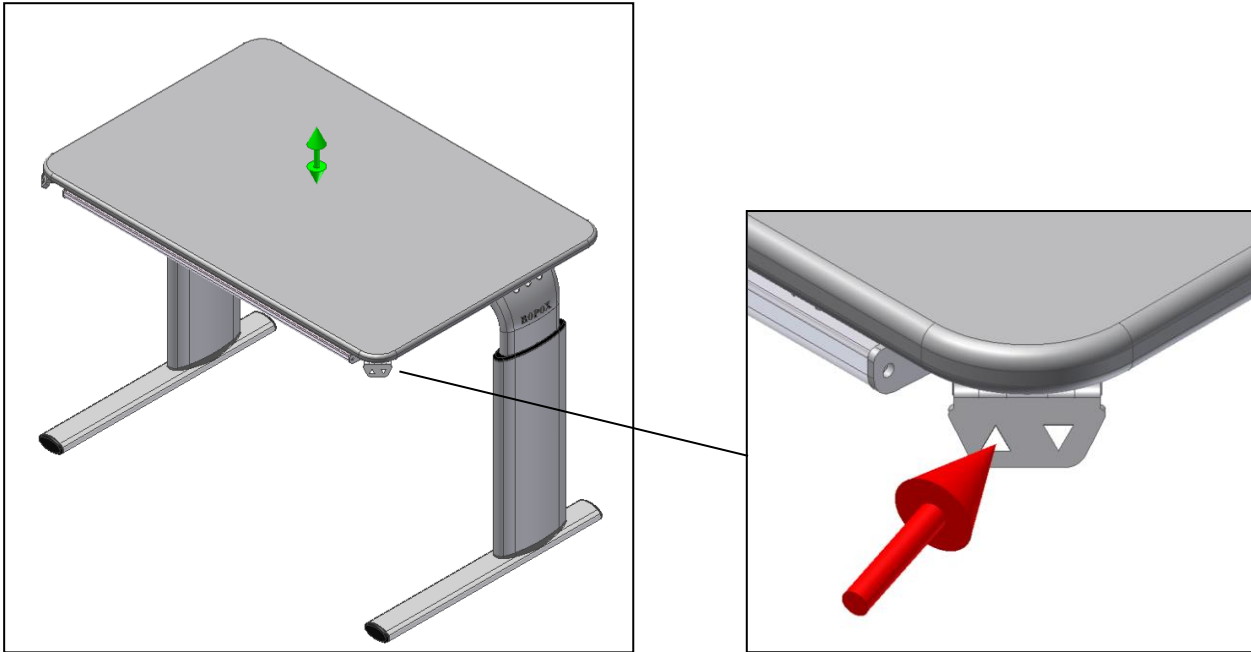
Remove yellow resistor



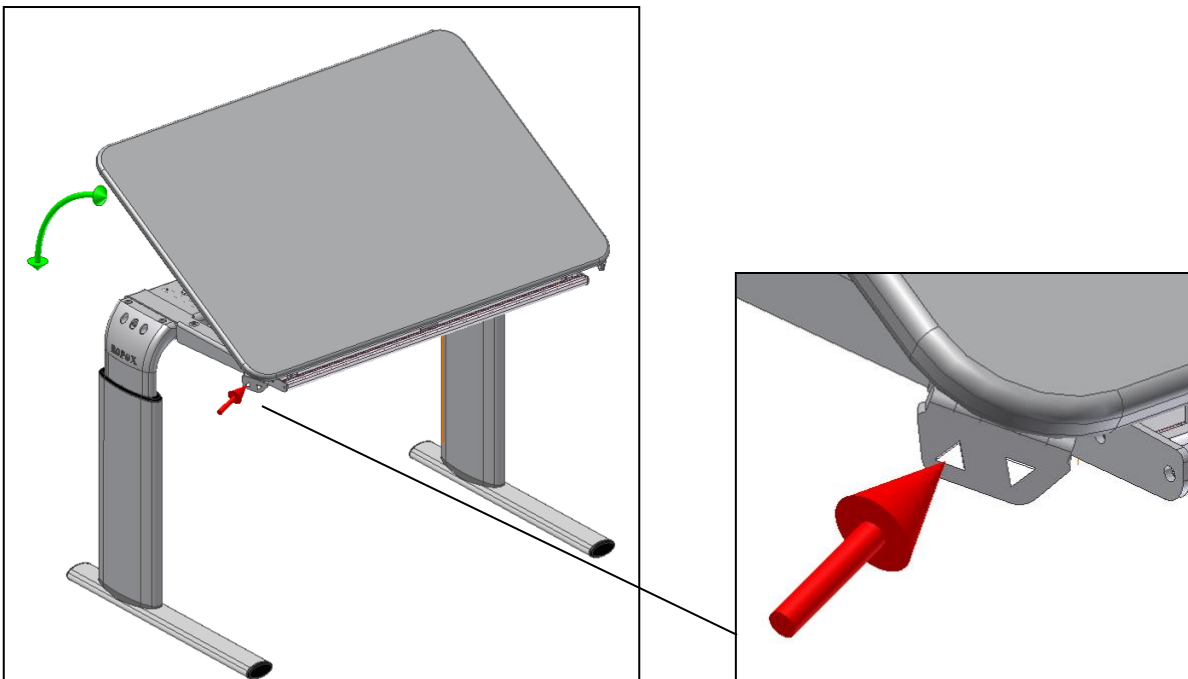
Connect the safety strip
(the picture show Vision type E
with 2 safety strips)



8. Height adjustment of table

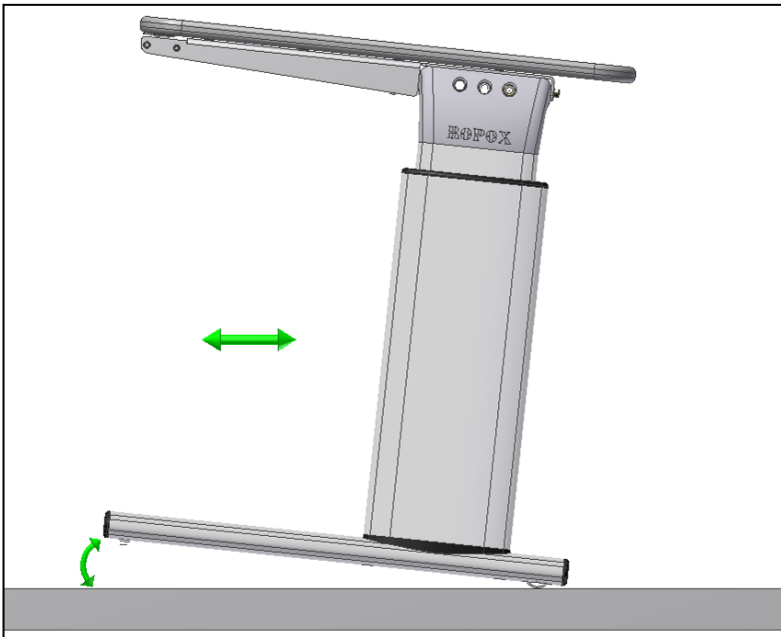


9. Operation of tilting facility



10. Moving the table

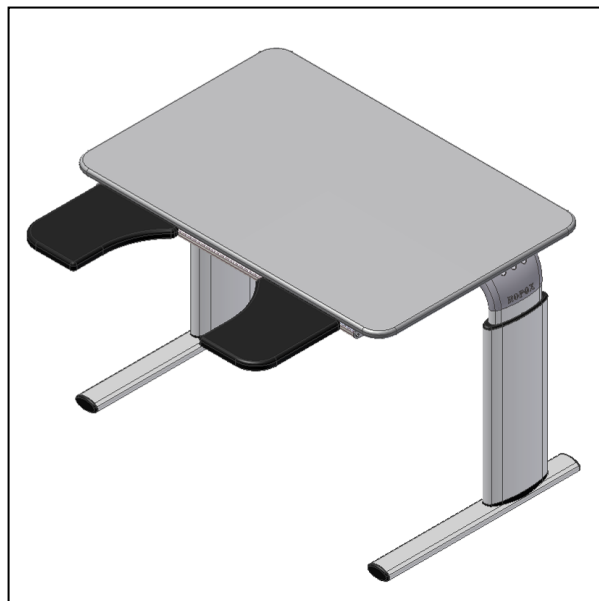
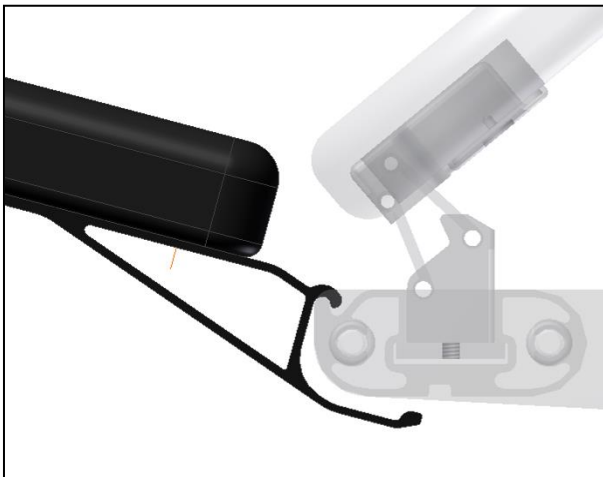
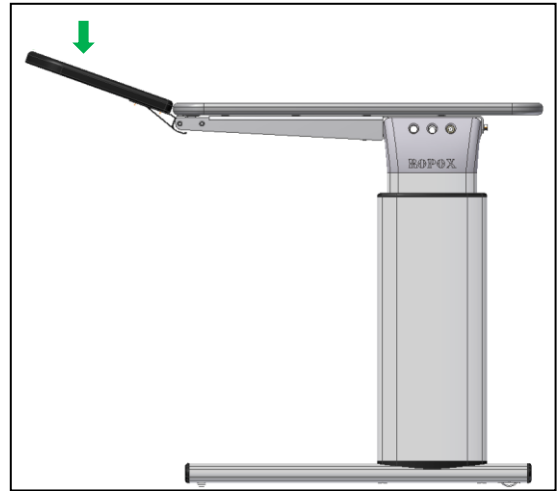
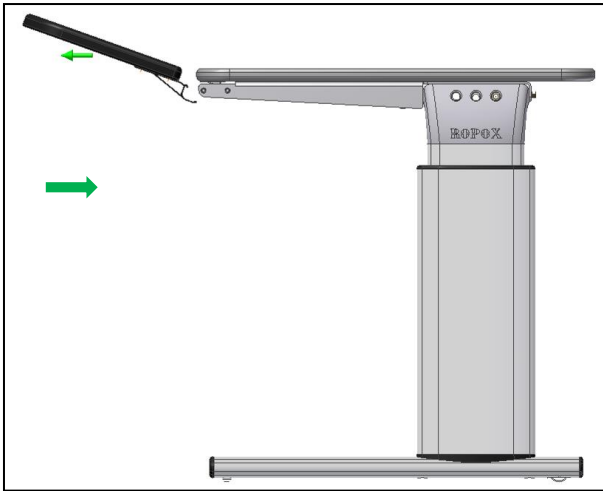
By lifting the table slightly in the front, it can easily be pushed around.



11. Magrule (accessories)



12. Mounting of armsupport (accessories)



13. Performance test

After installation and prior to use, all functions of the table must be tested. Subsequently this test must be carried out by competent personnel at least once a year:

1. Check that the mounting instructions have been observed.
2. Check that all bolts have been tightened.
3. Make sure that there is no load on the table.
4. Make sure that there are no objects or the like preventing the table from moving unhindered within the range of height adjustment.
5. Push the "DOWN" button and move the table to the bottom position. Check that the movement is even and smooth.
6. Now move the table to the top position. Check that the movement is even and smooth. If tilt fitting is mounted:
7. Make sure to execute a complete inclination of tabletop. Check that the movement is even and smooth.

When the above mentioned items have been checked, the table is ready for use. See "Safety in use" section 14.

14. Safety in use

- Vision must only be used by persons, who have read and understood these instructions.
- Vision is an activity table and must not be used as a lifting table or person lifter.
- When using the table with arm supports, verify that the supports are correctly placed and stable before using the product.
- When using a table with a separate tilting-plate, pay special attention to never have any objects or body parts between the two table edges during use of the product.
- When using a table with a tilting plate, avoid leaning against the raised table edge.
- If the table has caster wheels, it is recommended to always have the casters locked whenever the table is not being moved. This is to avoid any risk associated with unintentional movement of the table.
- Always use the table in a manner excluding the risk of damage to persons or property. The person operating the table is responsible for avoiding damage or injury.
- Make sure that there is free space above and below the table to allow height adjustment.
- Do not operate the table in case of defects or damage.
- Do not overload the table and ensure that the load distribution is correct.
- During inspections, service or repairs any load must be removed from the table.
- Modifications, which may influence the performance or design of the table, are not allowed.
- Assembly, service and repairs must be carried out by competent personnel.
- If the table has not been assembled according to these mounting instructions, the guarantee may become void.
- Only use Ropox original spare parts for replacement. If other spare parts are used, the guarantee may become void.

15. Cleaning/ maintenance

15.1 Cleaning of frame

Dry the frame with a wrung cloth with lukewarm water and a mild detergent. Do not use Enchants or abrasives or grinding cloths, brushes or sponges.

After cleaning, dry the frame.

Disinfection of the frame may be done with household spirits.

15.2 Cleaning of tabletop, laminate

Clean the laminate tabletop with a soft cloth wrung in hot water with a liquid detergent, which is not sulfonated, as this will result in a greasy surface. Stains that cannot be removed with water may often be removed with equal parts chlorine and water or with acetone. When using these materials, be aware of airing of the room and make sure that the frame does not get in touch with these cleaning materials.

Stains from felt-tip pens may be removed by means of ordinary denatured alcohol. Pencil strokes should be removed with a piece of eraser. Certain chemicals, ink and strongly coloured fruit juices may – if they are left on the table top for a longer period – result in discoloration as the colour pigments stick to the surface.

Never use steel wool, scouring powder or cleaning materials, which leave a film on the surface, e.g. yellow soap.

After cleaning, it is recommendable to wash the surface with a cloth wrung in clean water and dry with a soft cloth.

Disinfection of the tabletop may be done with household spirits.

15.3 Maintenance



Inspections, service and repairs must be carried out by competent personnel

The frame is maintenance-free and moving parts have been lubricated for life. For reasons of safety and reliability, we recommend inspection of the frame once a year:

- Check that all bolts have been securely fastened.
- Check that the table moves from bottom to top position without problems.

Only use Ropox original spare parts for replacement. If other spare parts are used, the guarantee may become void.

16. Fault finding

16.1 The table seems loose or unstable

- The screws assembling the frame have not been securely tightened.
- Tighten all screws of the frame. See assembly instructions.

16.2 The height/tilting cannot be adjusted (adjustment is very difficult)

- Check mains voltage to control unit and that the power has been switched on.
- Check cables and plug-in connections between control unit and motor.
- Check cable and plug-in connection between control unit and hand control switch.
- If the control box makes several clicking noises the plugs/cables are not connected correctly.
- Check that cables, control box, switch and motors have no visible damage.

Reset procedure

If table does not function normally after the above has been controlled, perform reset of table:

- Remove motor lid/cover and dismantle motor cables from control box.
- Dismantle net cable from control box and wait minimum 5 seconds.
- Mount net cable.
- Mount motor cables.
- If tabletop has tilt function it has to be moved to max adjustable angle position before a reset. Afterwards moved table into top height adjustment for resetting.

If tabletop cannot be tilted

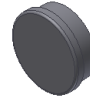
- Move table into top height adjustment and press/hold switch down for further 10 seconds.

17. Accessories

Magrule 50 cm:
Item no. 20-60541



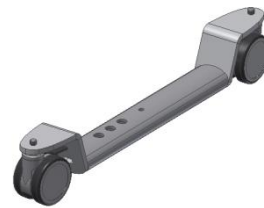
Magnet white:
Item no. 50200-000



Castors 4 pcs, increase the height by 8 cm:
Mounted by Ropox, item no.: 20-60570
For remounting, item no.: 20-60575



Castors without height increase:
Mounted by Ropox, item no.: 20-60573
For remounting, item no.: 20-60572



Armsupport standard
Item no. 20-60520



Armsupport, lockable
Item no. 20-60516



18. Complaints

We refer to our general Terms of sale and delivery on our homepage www.ropox.com



ROPOX A/S

Ringstedgade 221
DK – 4700 Næstved
Tel.: +45 55 75 05 00
E-mail: info@ropox.dk
www.ropox.dk