



ROPOX Toilet lifter Electric

User manual




This manual should always be in close proximity of the product

Table of content


1. Symbols used in this manual	4
2. General safety	4
2.1 Product Unit label	6
3. General requirements	7
3.1 Product information	7
3.2 Product description	9
3.3 Intended use.....	9
3.4 Intended operator	9
3.5 Essential performance	9
3.6 Non-clinical functions	9
3.7 Clinical functions	9
3.8 Product dimensions.....	9
4. Instructions for use	10
4.1 Installation of product	10
4.1.1 Installation interface for water and electrical socket	10
4.1.2 Installation interface for floor drain	11
4.1.3 Installation interface for wall drain	12
4.1.4 Construction	13
4.1.5 Mounting the product	14
4.1.6 Pair the Bluetooth remote	17
4.1.7 Unlock the handcontrol	17
4.1.5 ... continued	18
4.2 Operating the product	21
4.3 Residual risks	21
4.4 Installation of accessories	22
4.4.1 Installation of height-adjustable brackets.....	22
4.4.2 Installation of backrest	28
4.4.3 Mounting of fixed control in top of cover	29
4.4.4 Installation of extension cover	31
4.4.5 Increased crushing safety, accessory.....	32
4.5 Compatible shower toilets	33
4.5.1 Installation of bidet	33
5. Troubleshooting	34
6. Cleaning	35
6.1 Preapproved disinfection products	35
6.2 Preapproved cleaning products [Toilet lifter]	35
6.3 Preapproved cleaning products [Spiral cable].....	35
7. Maintenance	36
7.1 Periodic maintenance	36
7.2 Calibration of actuator	36
7.3 Maintenance of pipes and wiring	36
8. Component parts list	37
9. Environmental protection	37

10. Electromagnetic compatibility	37
10.1 Suitable Environments.....	37
10.2 Adjacent and stacked use	37
10.3 Cables.....	37
10.4 RF portable equipment	37
11. Accident reporting.....	38

1. Symbols used in this manual

Warning! Indication of potentially hazardous situation. If not avoided, it can result in serious injury or death.	
Caution! Indication of potentially hazardous situation which may result in minor or moderate injury. It may also be used to alert against unsafe practices.	
Notification! This symbol is used to notify correct use and handling of the product.	

2. General safety

	<p>This manual must be read and understood before use and installation. Always keep this manual in close proximity of the product.</p> <p>The use, installation and service of this product must be in compliance with this manual to avoid accidents and serious personal injury.</p> <p>Never use or handle this product in other ways specified in this manual as it can result in personal safety hazards and/or cause damage to the product.</p> <p>Persons installing and/or using this product either as operator or user should have the necessary safety information and access to this manual.</p> <p>If the supply cord is damaged, it must be replaced by the manufacturer, its service agent or similarly qualified designated persons in order to avoid a hazard.</p>
---	---



Do not perform repairs, disassembly or assembly operations, add-ons, re-adjustments or modification of the product beyond what is described in this manual. These must be carried out by Ropox or Ropox authorized personnel. Do not perform service while in use.

This appliance can be used by children aged from 8 years and above and persons with reduced physical, sensory or mental capabilities or lack of experience and knowledge if they have been given supervision or instruction concerning use of the appliance in a safe way and understand the hazards involved. Children shall not play with the appliance. Cleaning and user maintenance shall not be made by children.

Do not use the product if it has defects or have become damaged before being repaired or replaced.
If the control box makes unusual noise or smells, switch off the mains voltage immediately.

Take care that the cables are not damaged.

Unplug the mains cable on mobile equipment before it is moved.

The products must only be used in an environment that corresponds to their IP protection.



The information in this manual is based on correct installation in accordance with installation instructions for this product.

Ropox cannot be held liable if the product is used in any way that differs from stated in this manual and/or installation instruction.

Ropox reserve the right to amend this manual and reference documents without prior notice.

2.1 Product Unit label


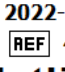
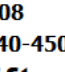
ROPOX WEB.: www.ropox.dk
 Ropox A/S,
 Ringstedgade 221, DK-4700 Naestved
 TLF: +45 5575 0500, E-mail: Info@ropox.dk


     

 2 min
18 min
Duty cycle max. 10%

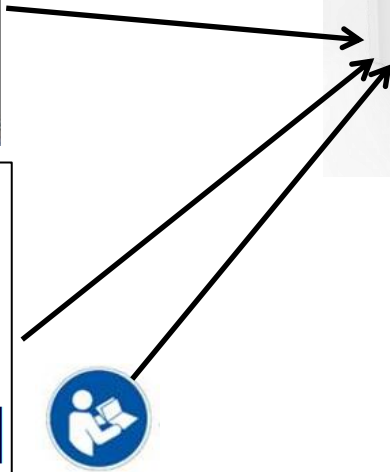
  40°
-5°
Transport & storage






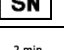






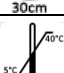



 2022-08
 REF 40-45027-1  SN N43-XXXX
Toiletlifter IP X6
 U In: 100-240V ~ 50/60 H U In: Max. 2,0 A
 Toilet Lifter Electric
 Height adjustment 40-65 cm
 Max load: 400 kg Mass of product: 34 kg



05707581000706N43-XXXX



	This product is UKCA-marked in accordance with: UK SI 2002 No. 618 - <i>The Medical Devices Regulations 2002</i> , and its amendments
	This product is CE-marked in accordance with: European Medical Device Regulation (EU)2017/745 Council Directive 2006/42/EC on machinery Council Directive 2011/65/EU, RoHS
	Manufacturer name and address
	Date of production
	Stock number
	Serial number
	Operating interval of electrically operated equipment. The use of electrical height adjustable equipment can run at maximum 2 minutes, followed by an 18-minute break.
	Type B applied part. The product complies with IEC 60601-1 requirements to provide protection against electric shock.
	Consult manual for important safety related information, warnings, and safety precautions.
	Class II, double isolated electrical components.
	Do not dispose as unsorted municipal waste. Product must be returned to a designated recycling station.
	Mobile phones or other portable RF emitting equipment should be no closer to the product than 30cm.
	Operating and storing temperatures may not exceed 5-40°C
	Consult the instructions for use

3. General requirements

3.1 Product information

Manufacturer	Ropox A/S Ringstedgade 221 DK-4700 Naestved +45 55 75 05 00 Email: Info@ropox.com	UK Responsible Person	Qserve Group UK, Ltd 49 Greek Street, W1D 4EG London United Kingdom +44 740 885 936 3 info@qservegroup.com
Product models	Part number	Model	Configuration
	40-45027 40-46027	Toilet lifter Electric Toilet lifter Electric	Floor drain Wall drain
Expected service life	5 years		
MDR Class 2017/745	Class I		
Applied part classification 60601-1	Type B applied part		
MEE Class 60601-1	Class II		
Intended environments	This product is to be used only in: Professional Healthcare Environment Homecare Environment <i>The device is not intended for use in special environments as defined by IEC 60601-1-2</i>		
Maximum user weight according to ISO 17966:2016	400kg		
Power supply	100-240V ~50/60Hz		
I in	Max 2.0A		
Intermittence	2min use / 18min pause		
Height adjustment	400-650mm		
Speed of actuation	≈ 8mm/s		
IP rating	IPX6		
Ambient temperature range	-10 °C to +50 °C Transport and storage +5 °C to +40 °C Operation		
Relative humidity:	20% to 80% - non-condensing		
Materials in contact with patient	Components	Material description	
	Covers	ABS/PMMA plastic	

Accessories		
<i>Item nr.</i>	<i>Model</i>	
40-40402	Toilet support straight	90 cm Grey
40-40421	Toilet support wave	90 cm Grey
40-40430	Toilet support straight w. support leg	90 cm Grey
40-40431	Toilet support Wave w. support leg	90 cm Grey
40-40401	Toilet support straight	76 cm Grey
40-40420	Toilet support wave	76 cm Grey
40-40400	Toilet support straight	66 cm Grey
40-40407	Toilet support straight	90 cm Red
40-40426	Toilet support wave	90 cm Red
40-40435	Toilet support straight w. support leg	90 cm Red
40-40436	Toilet support Wave w. support leg	90 cm Red
40-40406	Toilet support straight	76 cm Red
40-40425	Toilet support wave	76 cm Red
40-40405	Toilet support straight	66 cm Red
40-45100	Backrest long (70cm Toilet)	
40-45101	Backrest short (56cm Toilet)	
40-44070	Wall hung toilet, 56cm	
40-44071	Wall hung toilet, 70cm	

40-44074	Toilet seat w/o lid
40-44075	Toilet seat w/ lid
40-44276	Svancare Bidet Elegant
40-45070	Fixed Control button
40-45071	Cover extension 30mm
40-45072	Cover extension 60mm
40-45073	Increased crushing safety

3.2 Product description

The ROPOX toilet lifter electric can be set in heights ranging from 400-650mm by the use of the wireless handset. Height adjustment will meet different sitting height needs various patient heights.

3.3 Intended use

The ROPOX height adjustable toilet lifter is intended to be used in both homecare and professional healthcare environments. Adjusting the height will meet ergonomic demands emerging from various patient heights.

The toilet lifter is not intended for playing, or as a training device.

The ROPOX Toilet Lifter gives people with reduced mobility the possibility to extend their independence. It lowers and lifts the user to the best seated or standing position. Importantly it is straight-forward to set to the optimum height for both user and helper. It is a solution using modern welfare technology to help users become more self-reliant in their bathroom routines. The Toilet Lifter is an assistive aid which can support users to keep their privacy for as long as possible. The height adjustment has an adjustment range of 25 cm going from 40-65 cm.

3.4 Intended operator

The intended operator may include all that have read and understood this manual exempt kids.

3.5 Essential performance

The device does not have any function related to basic safety or essential performance. In case of loss or degradation of performance, the user can get off the toilet.

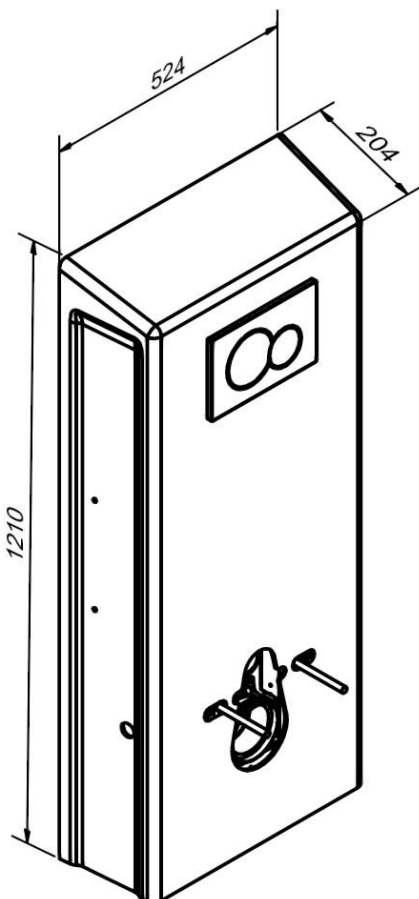
3.6 Non-clinical functions

Height adjusting offers better ergonomics to user and caretaker.

3.7 Clinical functions

This product does not offer clinical benefits for patients, when used as intended by the manufacturer.

3.8 Product dimensions



4. Instructions for use

4.1 Installation of product

Max user weight according to ISO 17966:2016; **400kg**
Max pull out force **pr screw is 65kg** at max load.

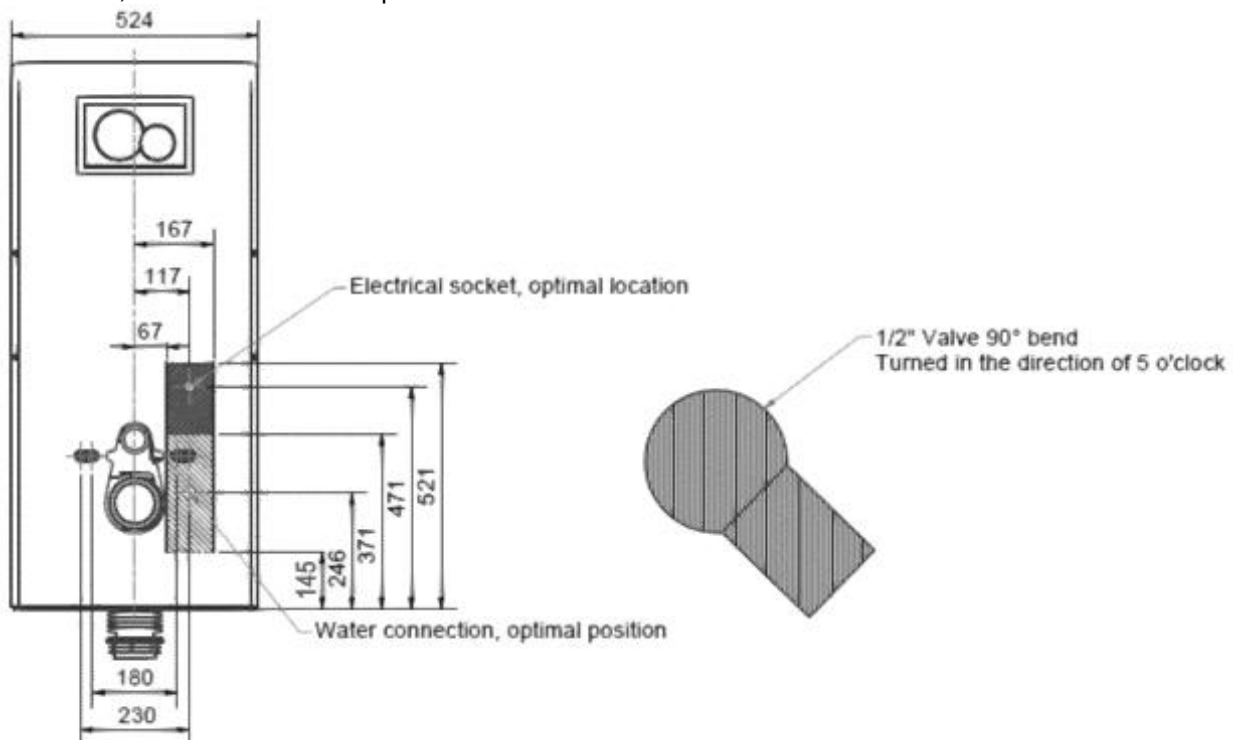
Before installation

The toilet lifter is supplied with a set of 6 screws and rawplugs suitable for mounting on a concrete wall. Installer should always consider the material, properties, and strength of the wall and use screws and rawplugs accordingly.

The following instructions describe how to assemble and mount the toilet lifter, as well as optimal placement of water, electrical and drain, based on whether the toilet lifter with floor drain or wall drain has been purchased.

4.1.1 Installation interface for water and electrical socket

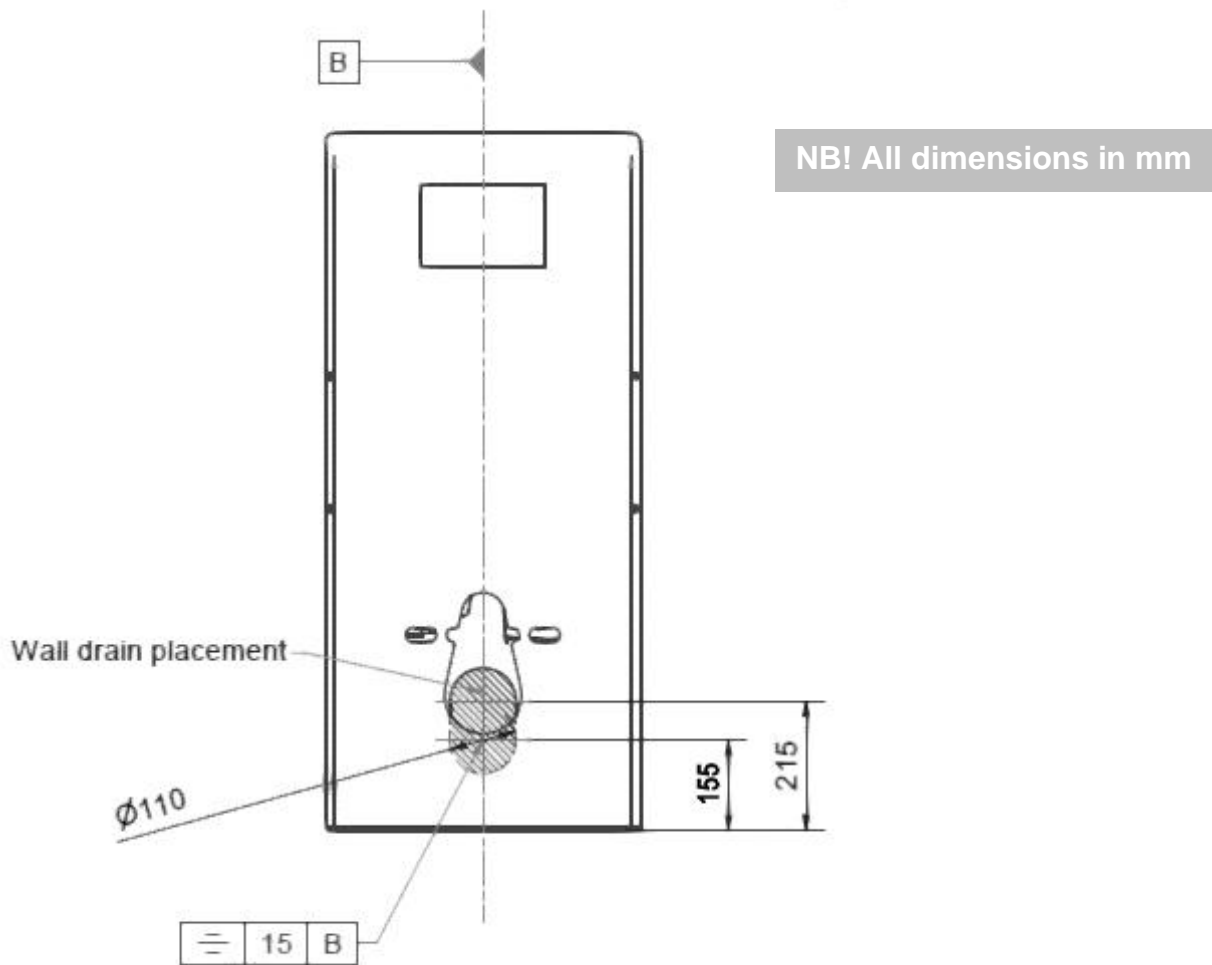
It is recommended to always place the water and electrical connections as shown below. In case of deviations, it's recommended to place the water and electrical sockets within the hatched areas.


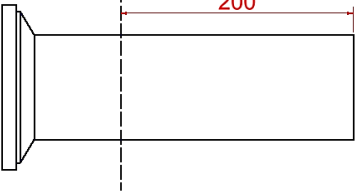
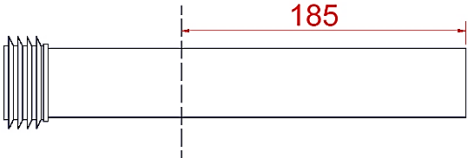

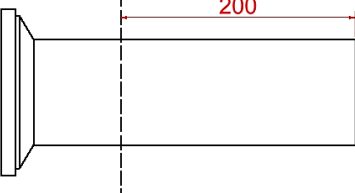
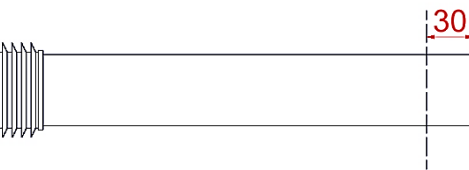


4.1.3 Installation interface for **wall drain**

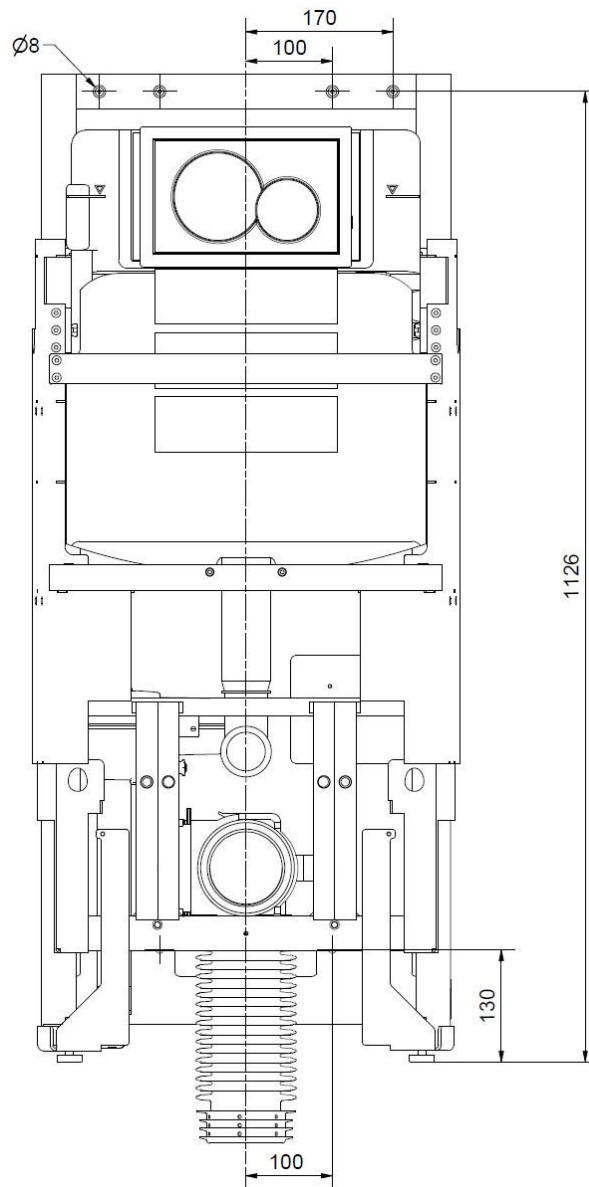
For 40-46027

For the toilet lifter with a wall drain, it's recommended to place the drain within the hatched area, not deviating further than the shown tolerances. This ensures the best flushing.



Ropox supplied toilets	Shortening of ferrule	Shortening of flush pipe
<p>40-44070</p> 		
<p>40-44071</p> 		

4.1.4 Construction



Note!

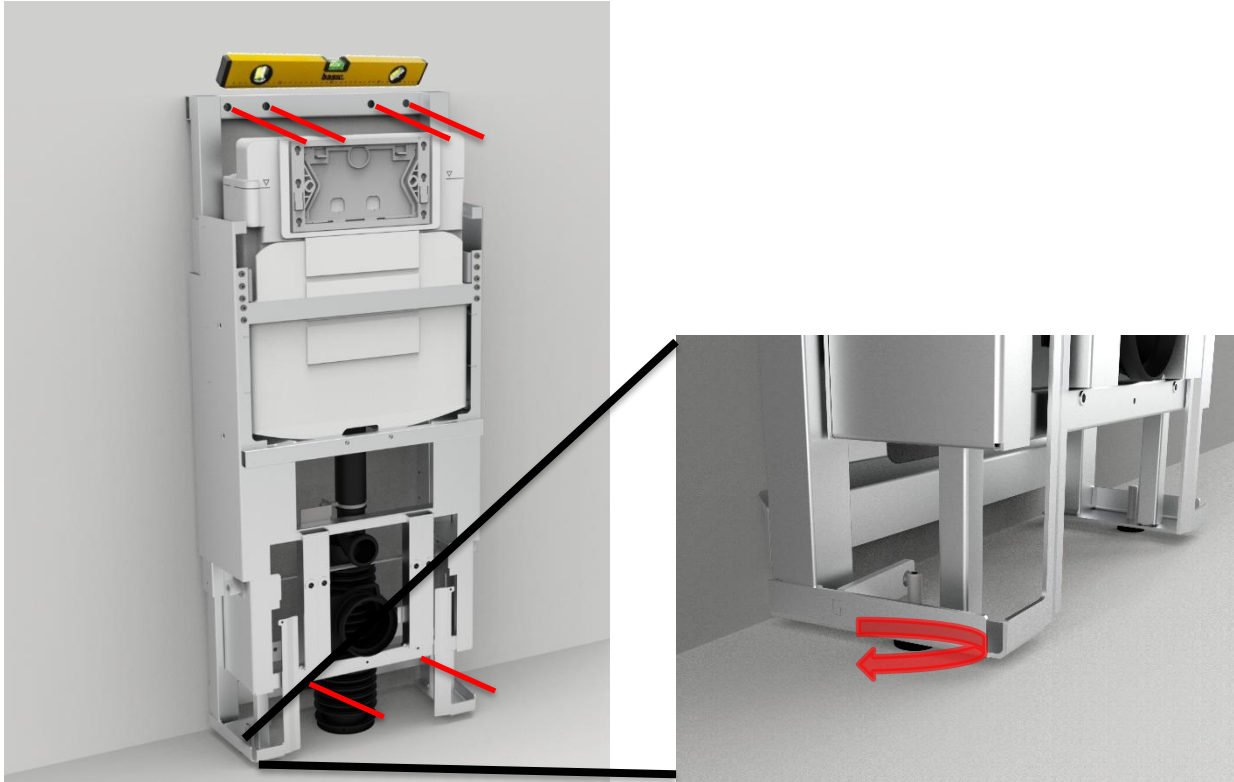
The toilet lifter is supplied with a set of 6 screws and rawplugs suitable for mounting in a concrete wall. The fitter should always consider the material, condition, and strength of the wall and use screws and rawplugs suitable for the specific wall type.



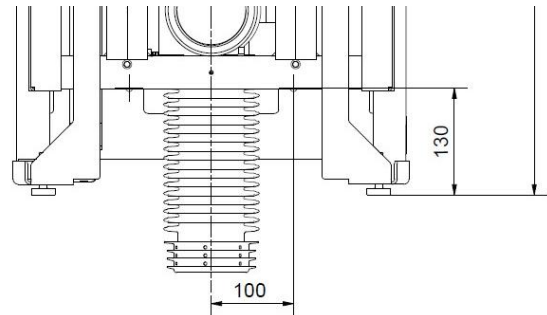
Caution!

Maximum pulling force per screw is 44kg, at 400kg max user weight according to ISO 17966: 2016

4.1.5 Mounting the product

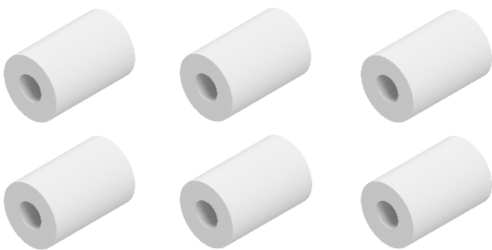


a. Line up frame with adjustment screws. Mark out 6 holes and drill holes for appropriate rawplugs. Ensure that the center of the bottom 2 holes is at least 130mm above the floor



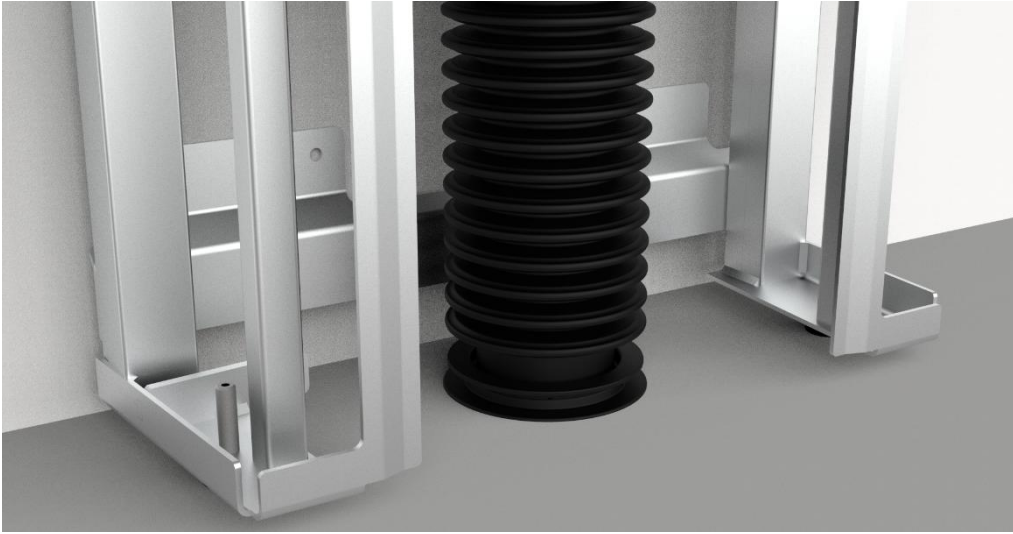
b. Connect water hose on wall outlet and electric outlet before securing frame to the wall

c. Secure frame to wall. If the extension cover has been purchased, use the supplied distance bushings to push out the frame from the wall. Longer screws have been supplied



d1. For 40-45027

If drain is in **floor**, mount the drain bellow as instructed below. The examples given below to the left, are configurations that will work, but as a general rule, the installation interface in 4.1.2 should be followed.



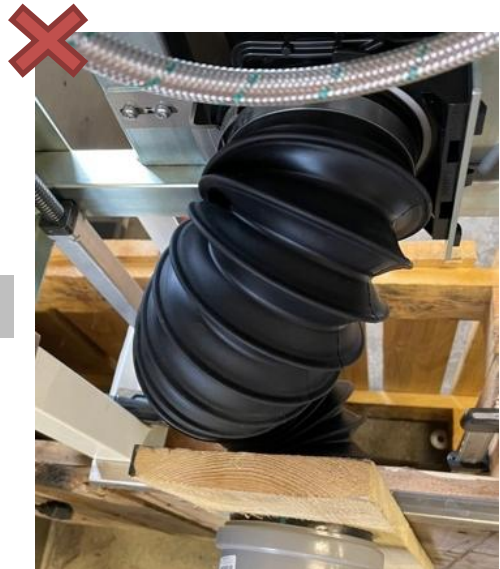
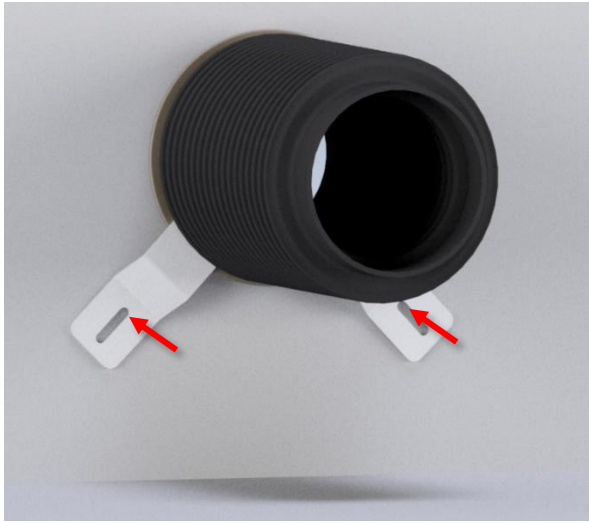
Make sure the bellow is not twisted



Mount the bellow as shown below for correct flow

d2. For 40-46027

If drain is in **wall**, mount the drain bellow in wall drain, mount the accompanying brackets on the wall, so that the toilet flange is held in place



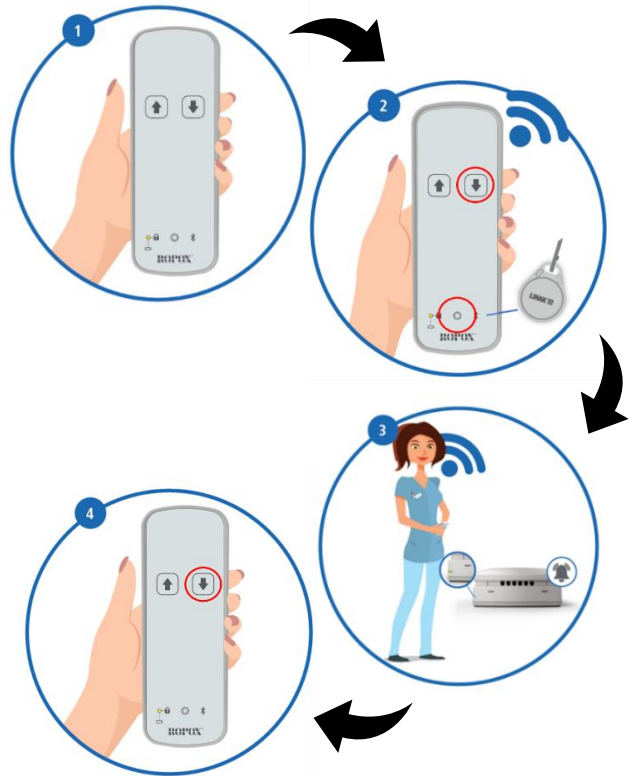
Make sure the bellow is not twisted



4.1.6 Pair the Bluetooth remote

Before continuing to mount the toilet lifter, it's important to test the functionality of its travel. This is done by pressing up or down on the remote control, then drive the full stroke. If the toilet lifter doesn't react, it means that the control must be paired to the lifter. This is done by following the steps listed below.

1. Stand within 2 meters of the toilet lifter, take the hand control, and face it away from the lifter
2. Hold the magnet key over its symbol, then hold down the "Down" button (at least 3 seconds), until the LED starts blinking
3. Release the "Down" button, remove the magnet key from the hand control, and move closer to the toilet lifter, until the buzzer increases in frequency
4. Press the "Down" button once. There should be two beeps, this confirms pairing

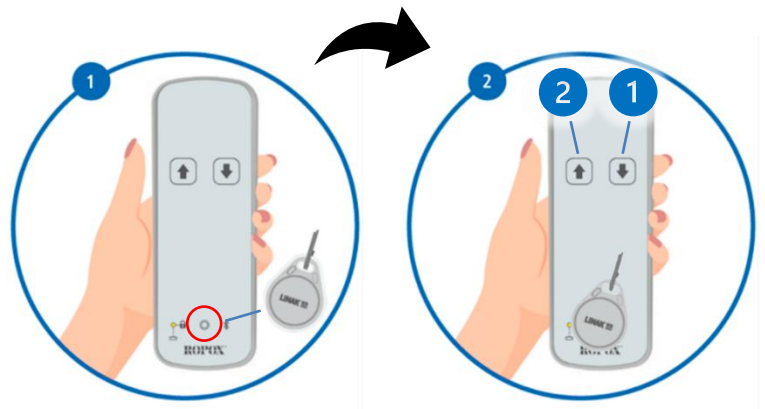


	<p>Note! When pairing is complete, test product travel. Make sure all cables, water connection and drain connection travel freely. The electrical connection shall travel unhindered and may not get entangled in other installations.</p>
--	---

4.1.7 Unlock the handcontrol

The handcontrol will be unlocked when it is delivered, however, it's possible to lock it accidentally, preventing you from driving the lifter. This can occur due to repeated attempts of pairing. To unlock the handcontrol, follow the listed procedure:

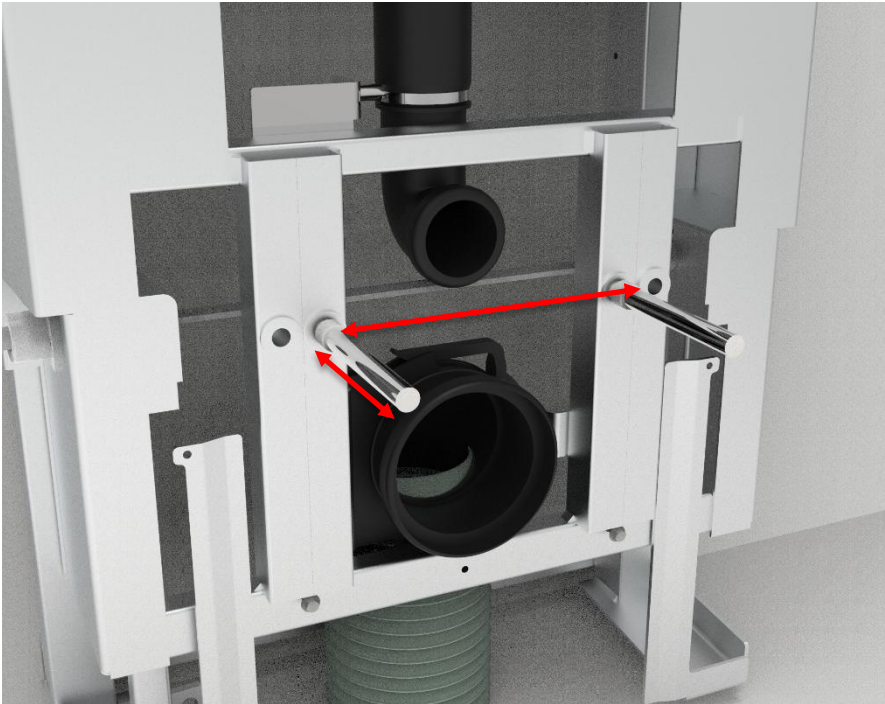
1. Take the handcontrol, then hold the magnet key over its symbol
2. While the magnet key is in this position, press the "Down" button, then the "Up" button
3. If this doesn't solve it, follow the pairing procedure. Otherwise, it might not work due to low battery, or if the lifter is unplugged from the power



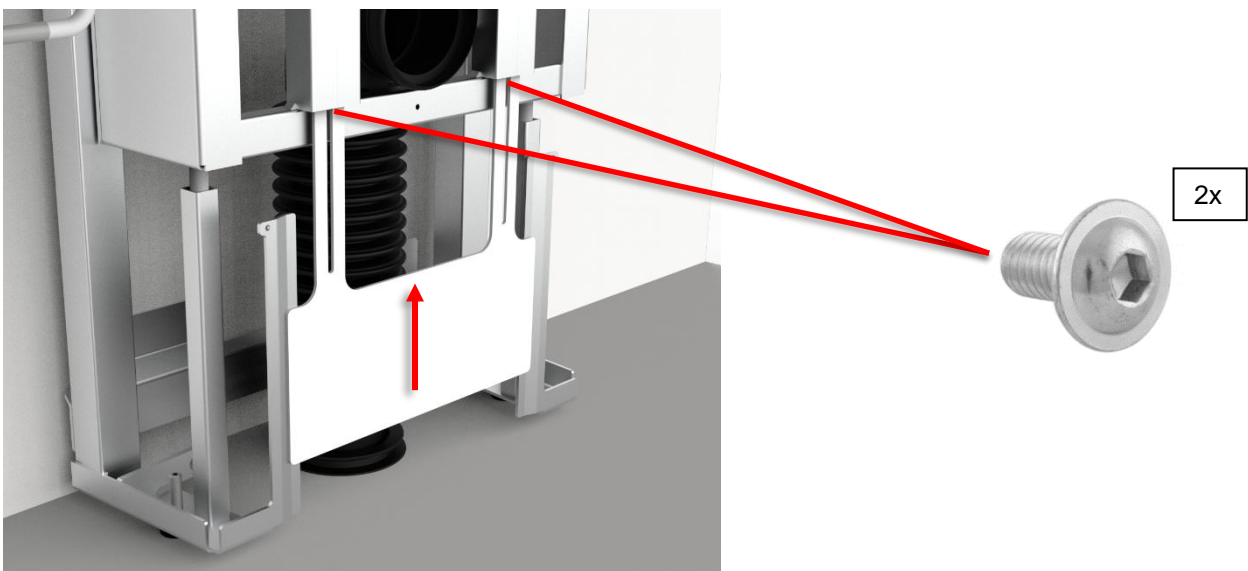
	<p>Note! If the control doesn't drive after pairing, it means it needs to be unlocked. See 4.1.7!</p>
--	--

4.1.5 ... continued

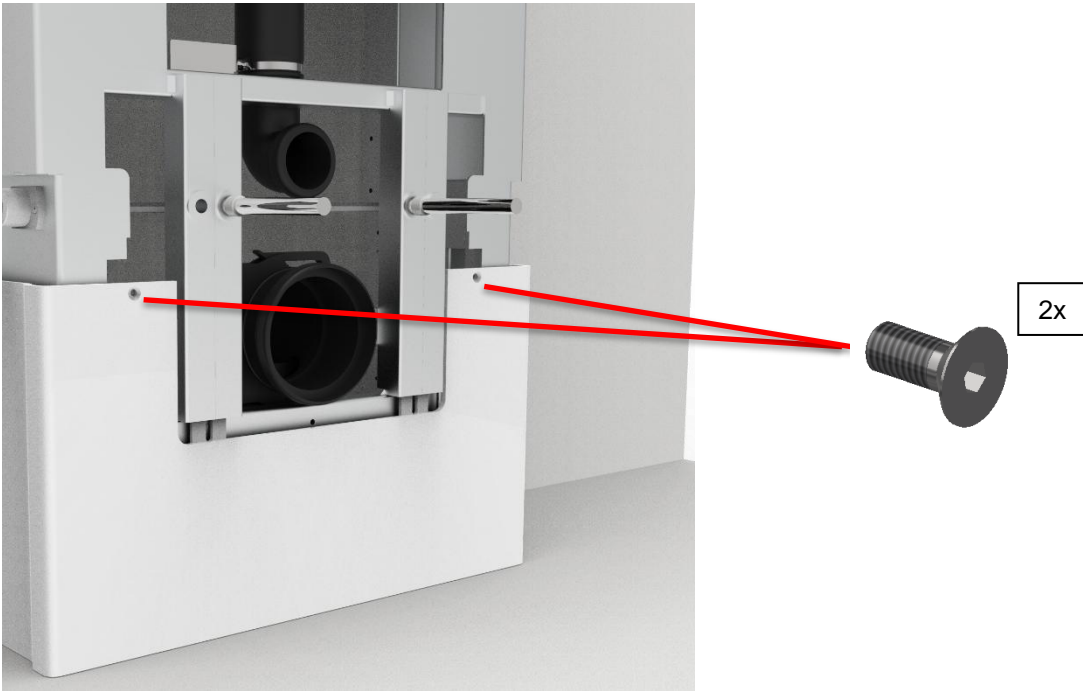
e. Cut threaded rods to length and secure them in the frame



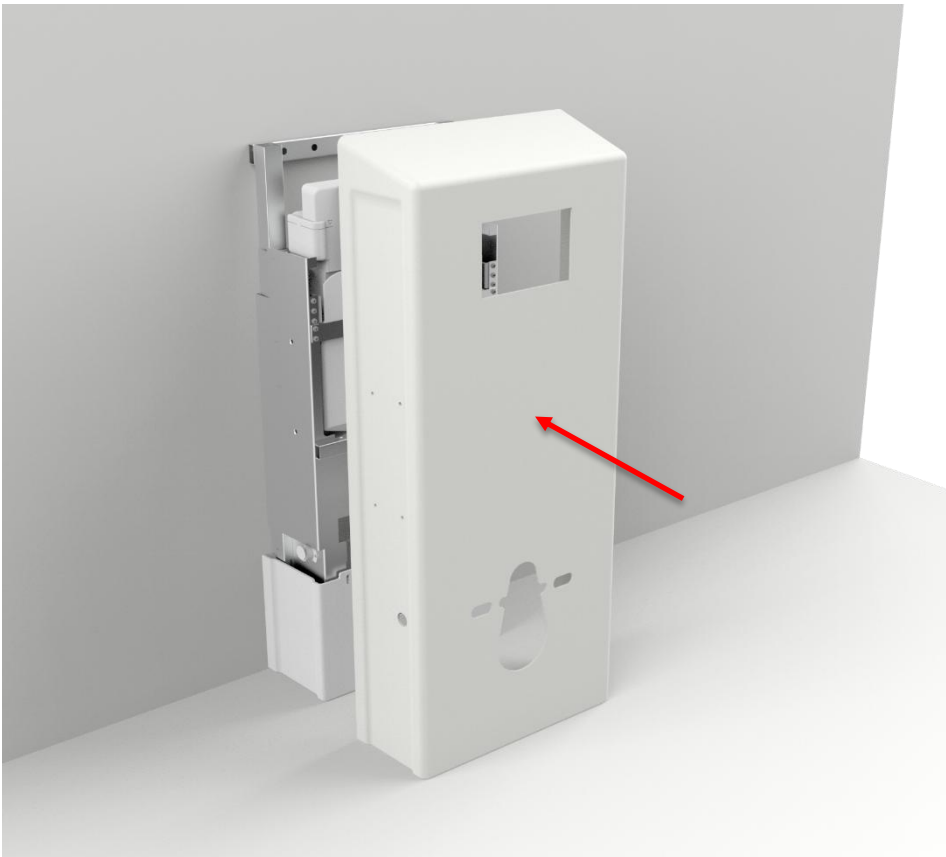
f. Mount inner cover 1 and 2



Before mounting inner cover 2, if the extension covers have been purchased, these must be mounted beforehand. See 4.4.5



g. Mount outer cover (if the version with fixed control in the top of the cover is being installed, please jump to section 4.4.4 – mounting of fixed control in top of cover)
If the extension covers have been purchased, these must be mounted before the outer cover. See 4.4.5



h. Shorten ferrule and flush pipe to length and mount them.



i. Mount the toilet and press pad.



j. Finish the installation by checking the following:



1. Rigidity test, sit on the toilet and check screw connections are firm.
2. Check that full travel of the product goes unhindered.
3. Check flushing and leaks.

4.2 Operating the product

Operating the product is done by using the remote.



	Warning!
<p>The product should always be able to travel the full range of actuation without colliding with objects. Failing to do so will compromise the product stability. Special care should be taken in ensuring that no children or adults are sited under the product as severe injury from entrapment may occur.</p>	

4.3 Residual risks

Warning!	
	<p>Be aware that there may be no person or body parts under the toilet when it is driven down, as it is a crushing hazard.</p>
Caution!	
	<p>Do not place your hand/fingers between the wall and the movable cover, as you risk crushing your hand/fingers.</p>
Warning!	
	<p>In case of incorrect installation of plumbing parts, water leaks can occur on the floor, which may increase the risk of falling.</p>

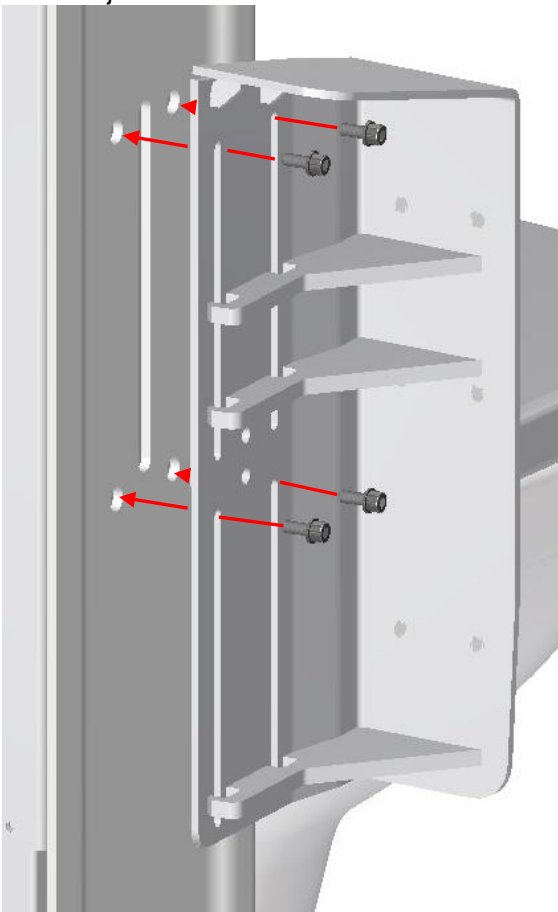
4.4 Installation of accessories

4.4.1 Installation of height-adjustable brackets

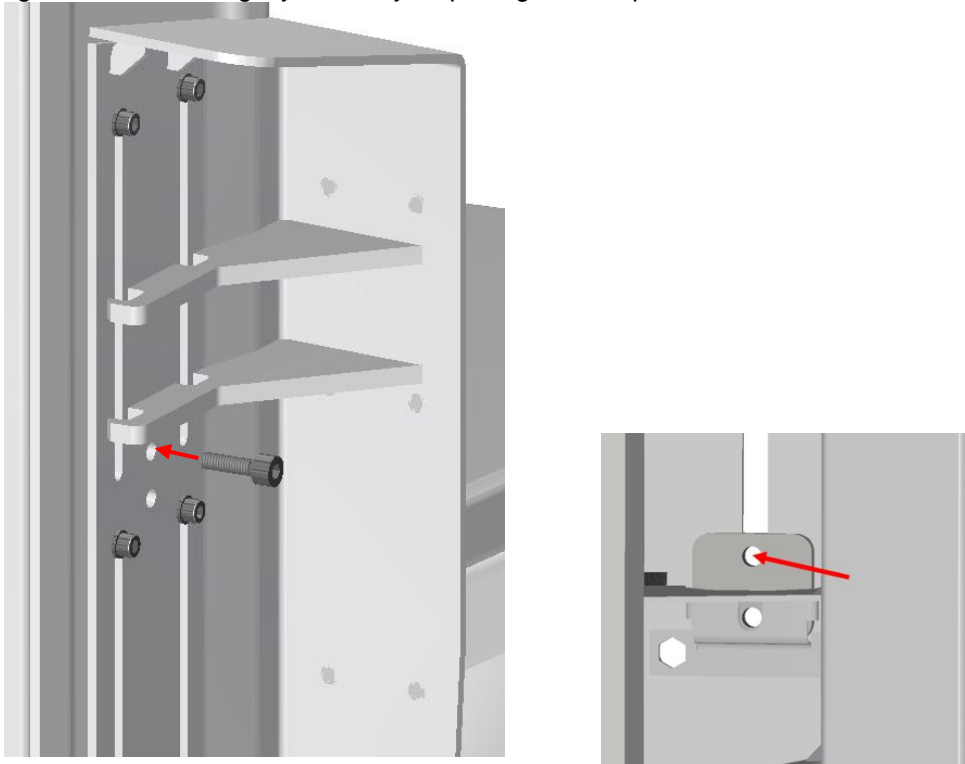
1. Start by unscrewing the transport screw from the plate nut, it's an M8x20 Allen screw, save it for later use.



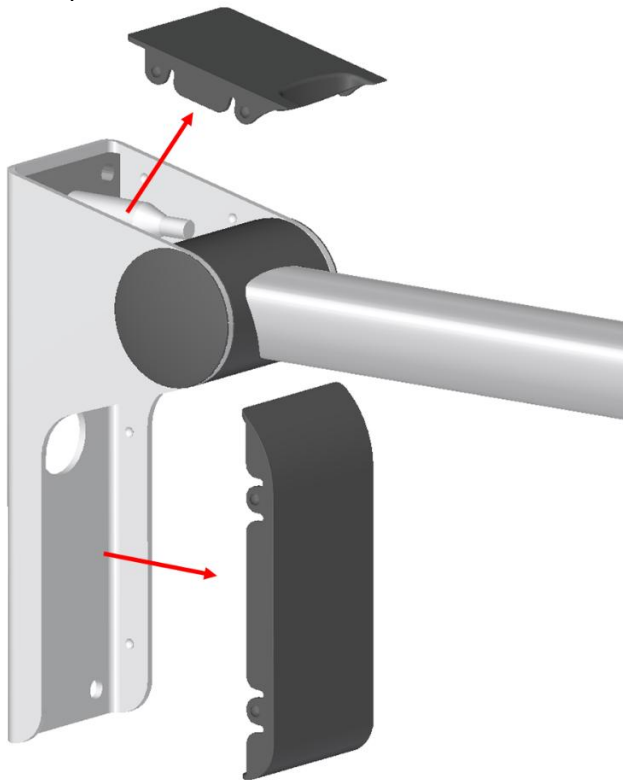
2. Mount the bracket with four M6x30 screws + washers (included) in the four threaded holes on the toilet lifter. Lightly tighten the screws so that the bracket can move freely up and down in the slots. To be adjusted later.



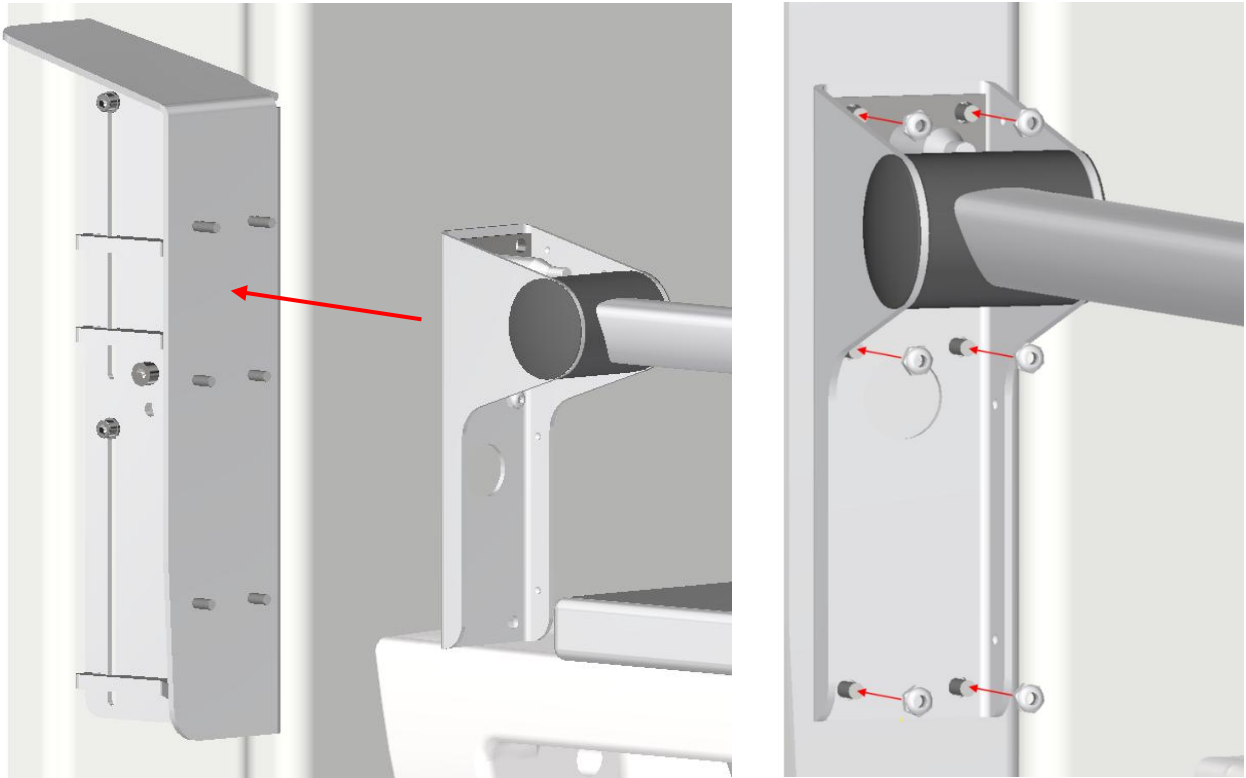
3. Install the M8x20 screw + washer in the top hole in the centre of the bracket, it must go in and catch the plate nut on the back, note that it is the top hole in the plate nut that the screw is inserted into, tighten the screw slightly as it only helps to guide the plate nut.



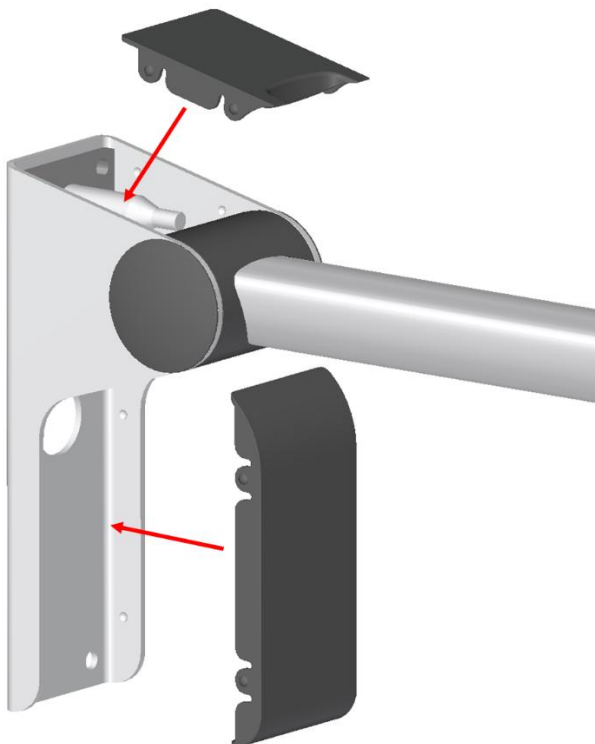
4. Take out the toilet support and remove the plastic caps as shown in the photo below. If necessary, use a plastic tool to avoid scratches.



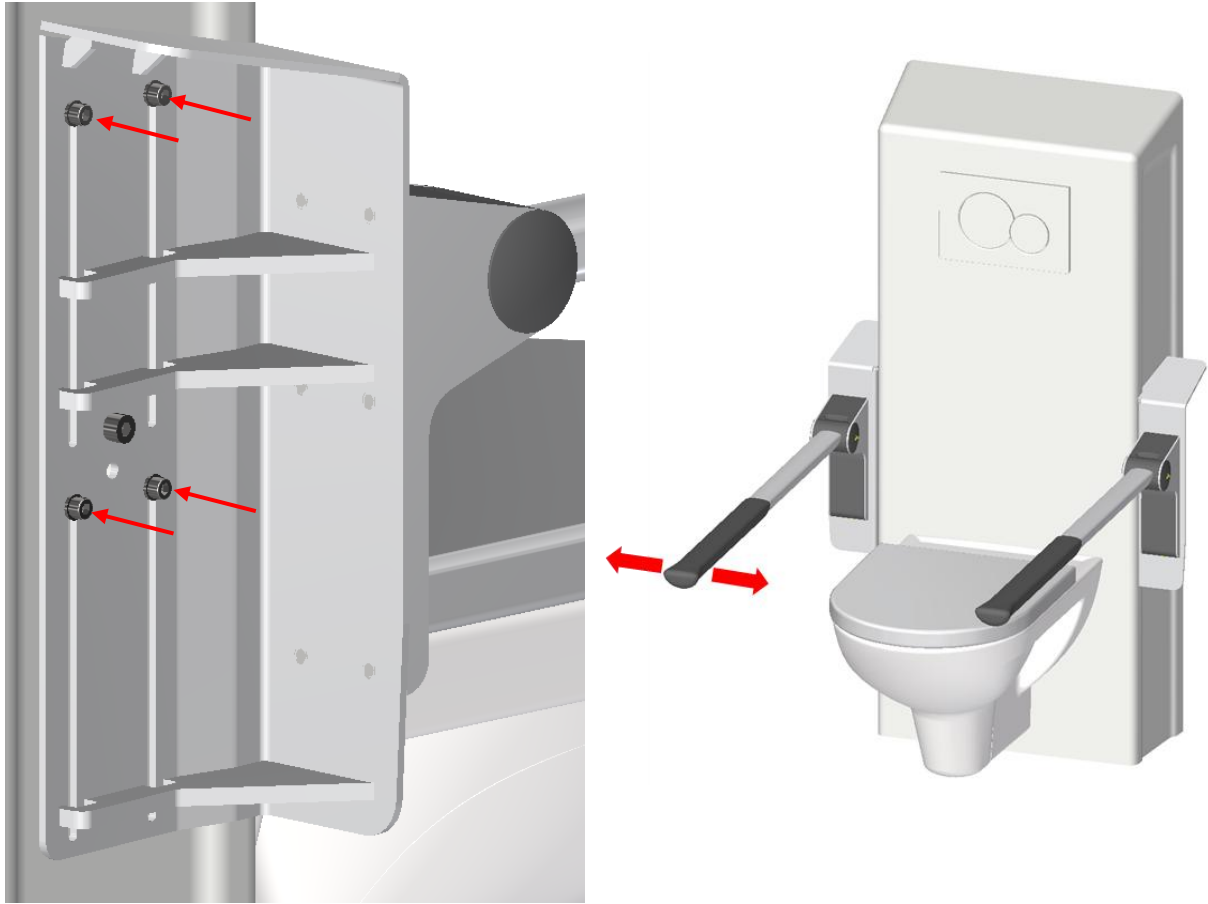
5. The support attaches to the threaded studs on the bracket and is mounted with six M6 locknuts (included)



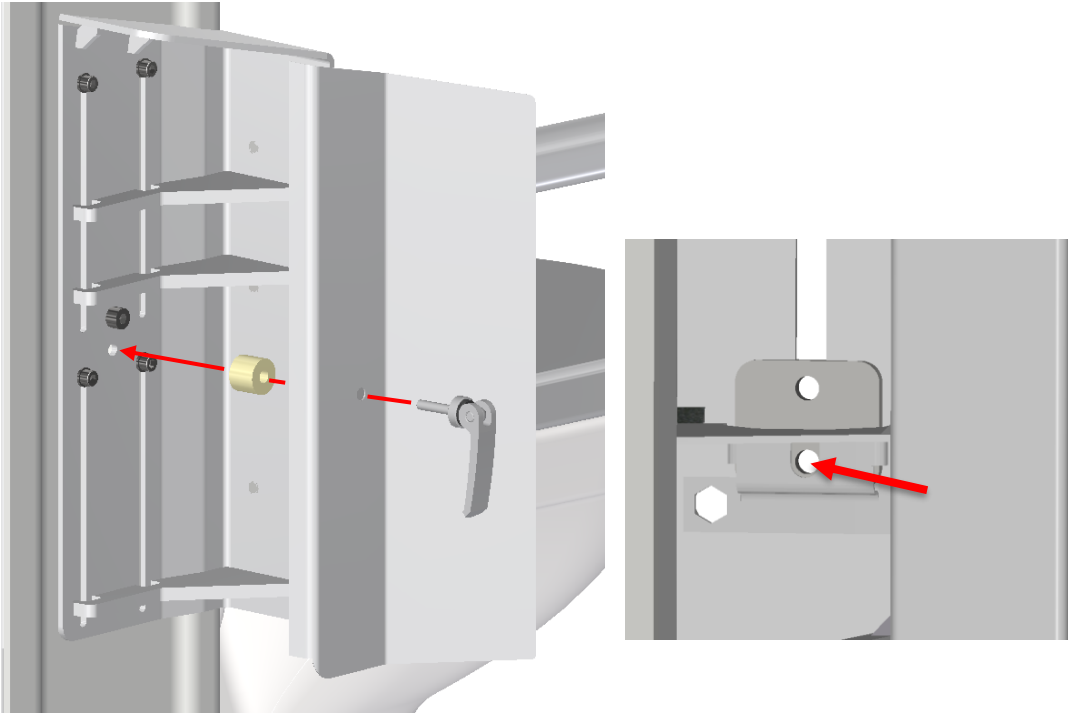
Reattach the plastic caps to the support.



- Adjust the resistance/release of the bracket on the four M6x30 screws that move in the slots. The bracket is adjusted to minimise wobble room without making it difficult to move up and down. Wiggle the support sideways, check if the support is firm enough, if it seems very loose, tighten the screws slightly until the tolerance is satisfactory. Please note that the bracket must be adjustable up and down.



7. Mount the spacer together with the cover plate with the clamping handle in the lower hole in the centre of the bracket, the clamping handle must also engage with the plate nut on the back.



8. The clamping handle adjusts so the bracket can be freely adjusted up and down when open and effectively locks the bracket in the closed position. Adjust by turning the Adjustment screw.



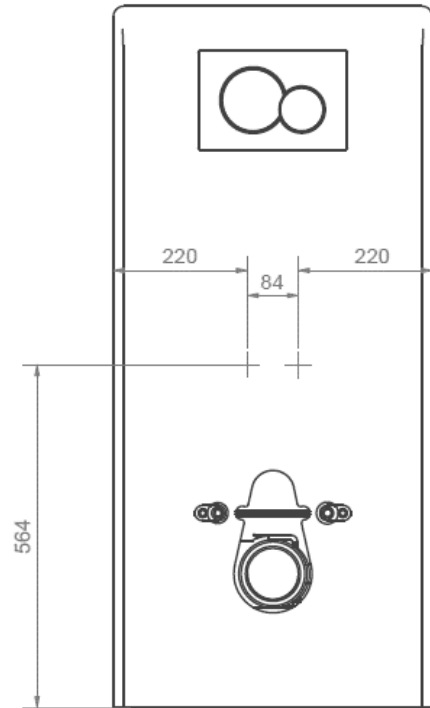
9. The toilet supports are now fully installed. Try adjusting them up and down to see if they move as they should.



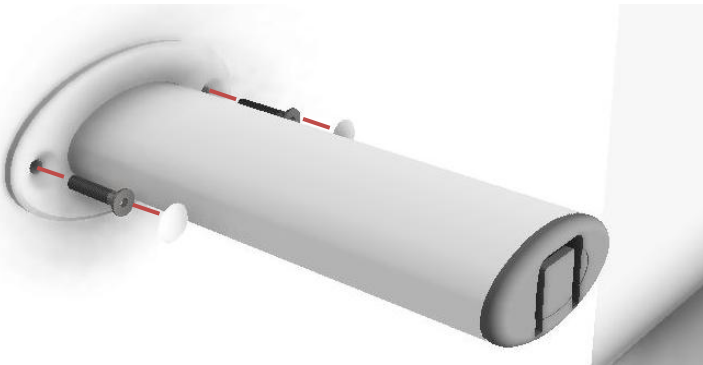
4.4.2 Installation of backrest

If Ropox Back Support long is ordered together with Ropox Toilet Lifter, there will be pre-drilled holes in the cover cap. If the back support is ordered later for subsequent mounting, new holes must be drilled. Please see the dimension drawing for the location of holes.

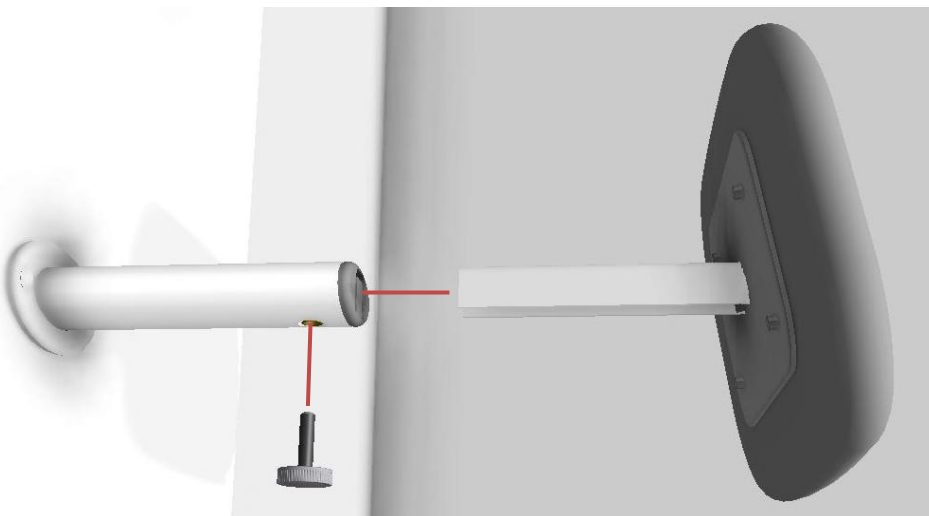
Two M5x16 are used.



a.

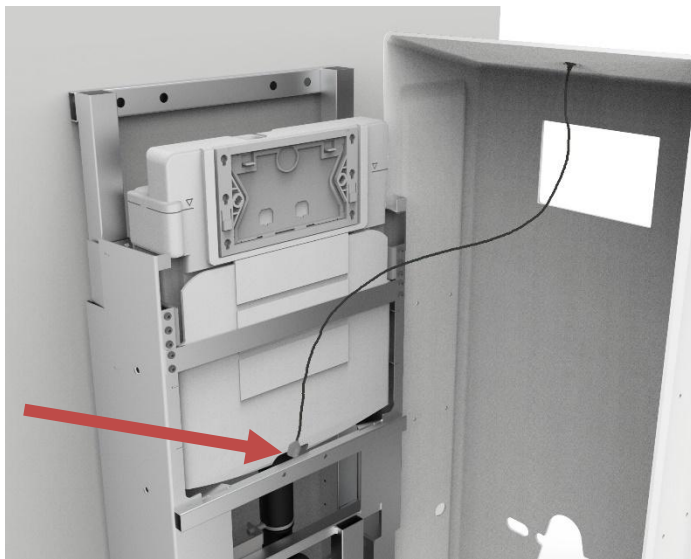
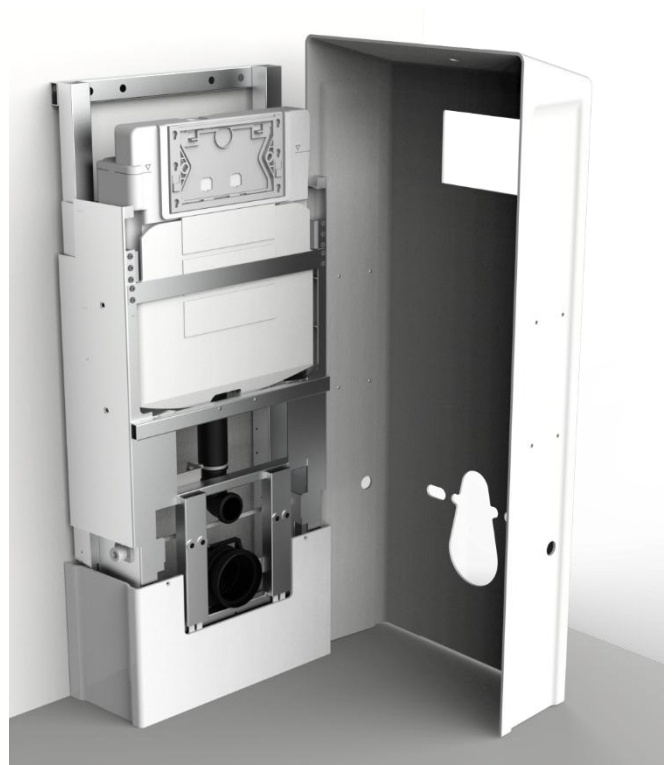


b.



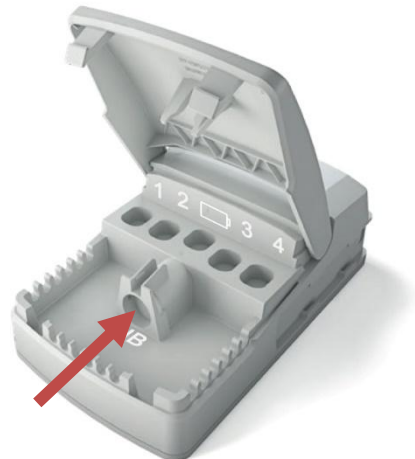
4.4.3 Mounting of fixed control in top of cover

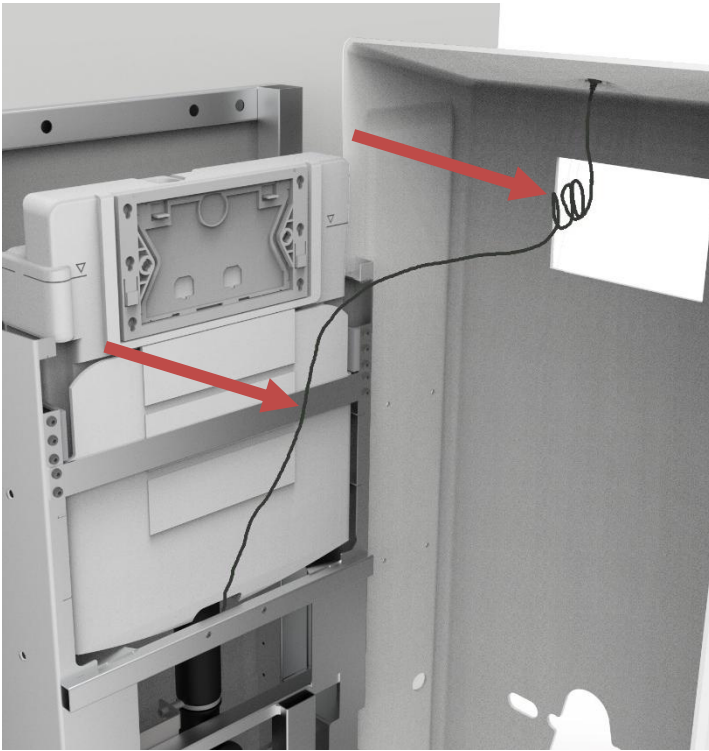
a. Place the cover on the floor close to the lifting unit. Certain parts of this procedure can be easier if the lifting unit is in its top position. If possible, do this before proceeding.



b. Guide the cable along the front of the lifting unit and pull it behind the cross bar below the cistern, as indicated on the illustration.

c. Dismount the control box from the lifting unit and insert the plug for the fixed control. Close the lid and re-attach the control box





d. Use the attached strips to secure the wire to the belt as indicated. Roll up the remaining wire and strip it together in a bundle, as close to the top of the cover as possible.

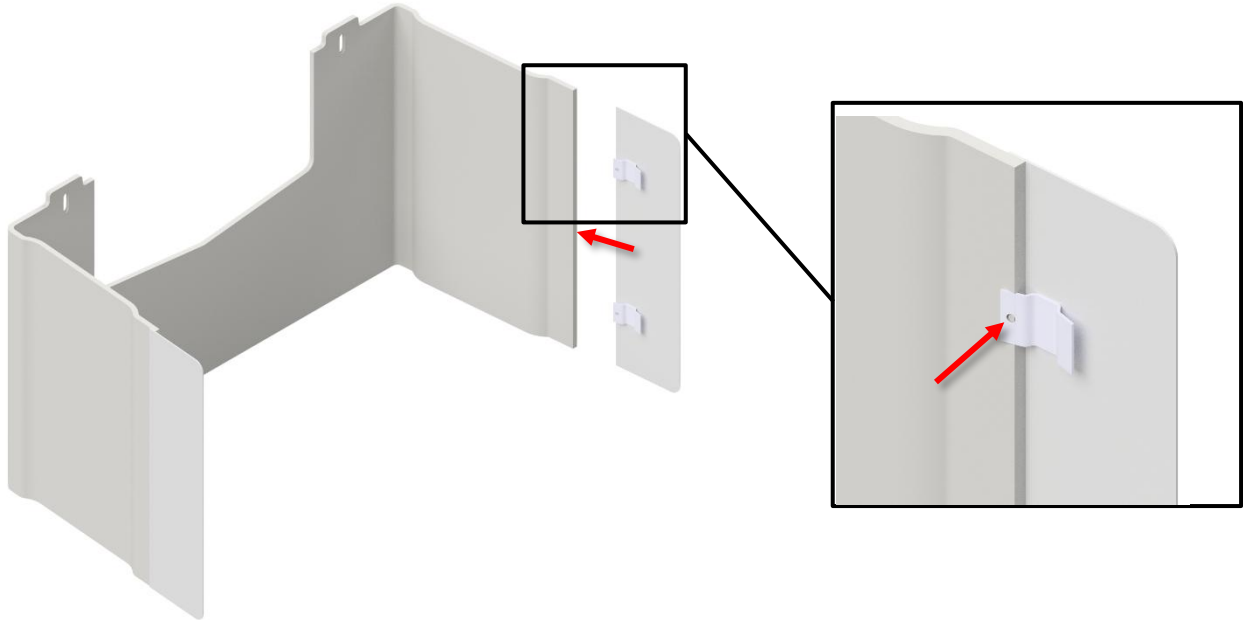
e. Check that the control works correctly. If it does head back to chapter 4.1.5 and continue at section “g” to finish assembling the toilet lifter. If the control does not work correctly, double check all the connections and try again.

4.4.4 Installation of extension cover

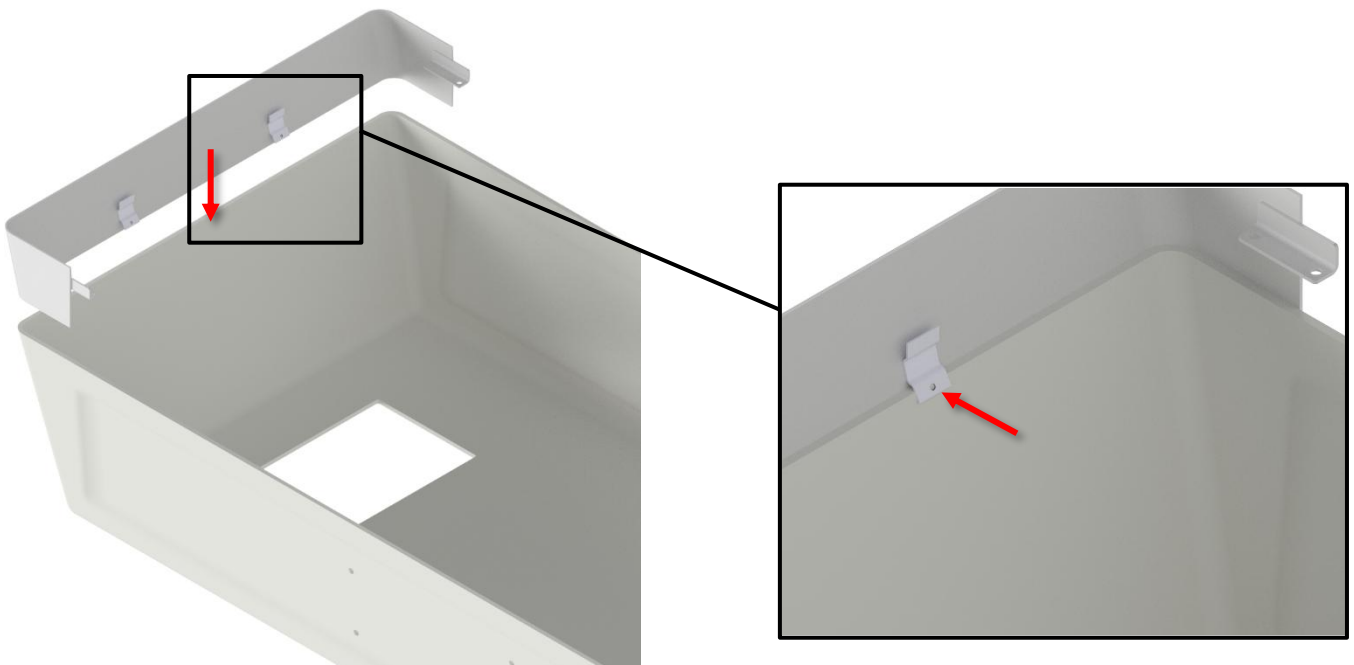
Only fits outer cover with slanted top!

If the extension cover has been ordered, it must be mounted prior to mounting the original covers. The extension cover comes disassembled to make transport and disposal easier. It's mounted onto the original covers by clamping it on, then fastening it with set screws.

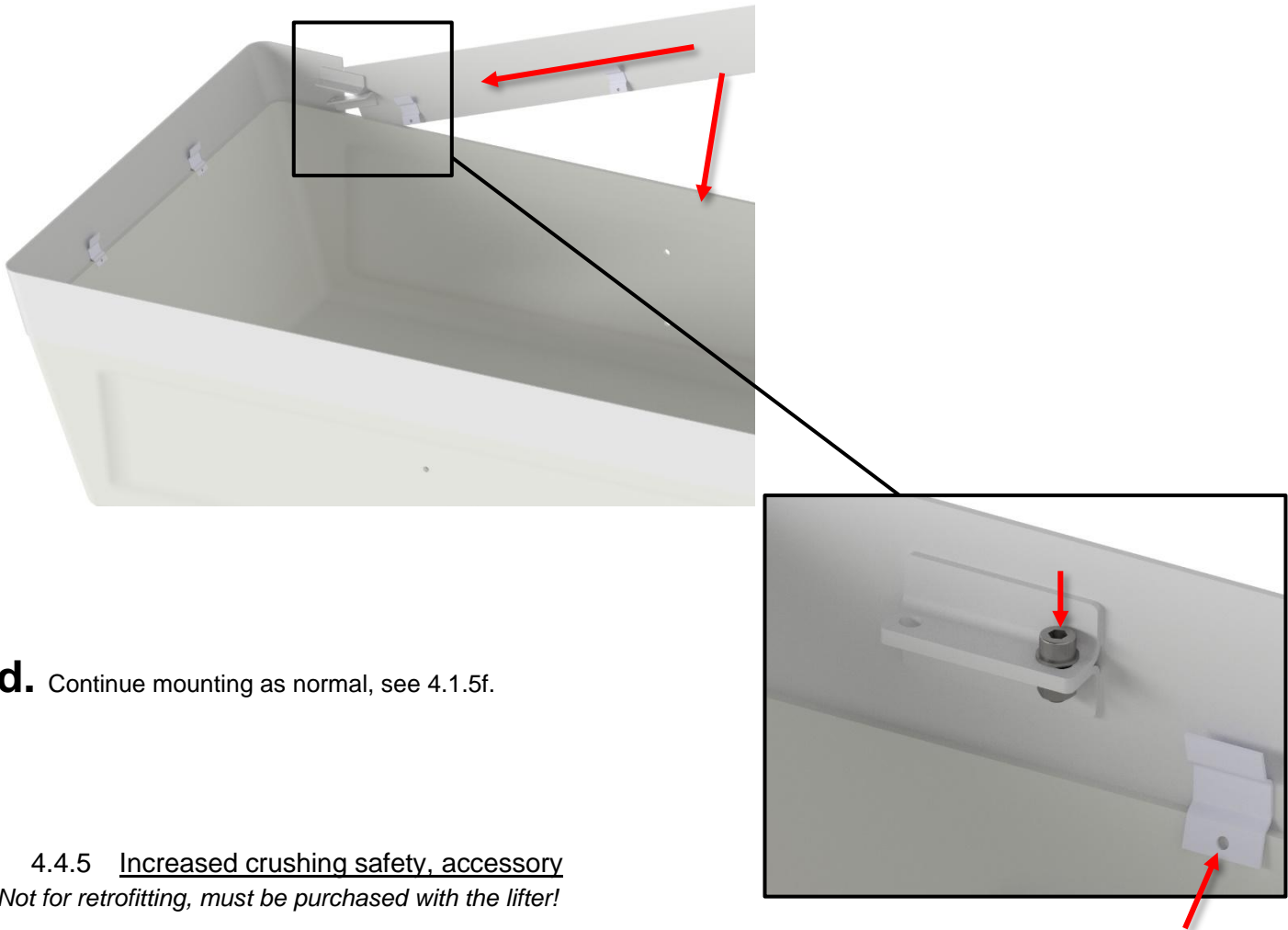
a. Mount the sides on the inner cover



b. Lay down the outer cover, then mount the top



C. Mount the large sides



d. Continue mounting as normal, see 4.1.5f.

4.4.5 Increased crushing safety, accessory

Not for retrofitting, must be purchased with the lifter!

If need be, the Toiler lifter can be ordered with increased crushing safety, such that items underneath won't be crushed, when driving down. With the increased safety, in function, the lifter will never push with more than its own weight (ca. 30kg), when the toilet collides with an object. When there's a collision, the motor will rotate about itself, start making clicking noises, and won't drive further down.

Before



After

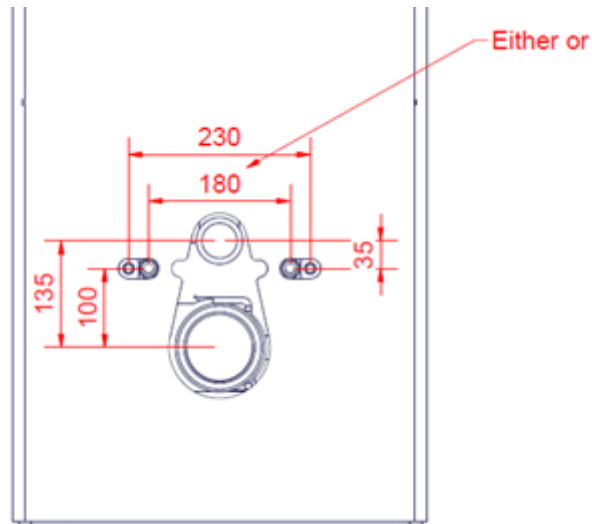


4.5 Compatible shower toilets

For the Ropox Toilet Lifter, you have the option to use a shower toilet rather than a regular toilet. Both regular toilets and a shower toilet is offered as an option for the toilet lifter. The following shower toilets can be used with the toilet lifter:

- Svancare Bidet Elegant
- Geberit AquaClean Mera
- Geberit AquaClean Sela
- Geberit AquaClean Tuma

If another shower toilet is required, the following dimensions must be respected:



4.5.1 Installation of bidet

To mount Svancare Bidet Elegant, see **TF 200.01.0025**.



5. Troubleshooting

Product doesn't work	Check pairing of remote (4.1.6) Check that all wires are pressed into the sockets
Product stopped working	Check batteries of remote Check if the power is plugged in
Handcontrol doesn't work	Check battery power Follow the unlocking procedure (4.1.7) Follow the pairing procedure (4.1.6)

6. Cleaning

Cleaning can be done with lukewarm water and a suitable all-purpose cleaning agent. Use a cloth or soft sponge to wash the product. Dry the product with a wrung cloth.

For surface disinfection, chlorine-based disinfectants may be used in accordance with the product specification and safety precautions for these products, however, not at a solution greater than 1.000 ppm of active chlorine.

Likewise, ethanol-based disinfectants may be used in accordance with the product specification and safety precautions for these products.

The following agents have been tested by Ropox, and can be used, as long as they are diluted according to the instructions on the container.

6.1 Preapproved disinfection products

Tradename	Solution
Diversey Suma Tab D4	1.000 ppm
Rodalon ®	Ethanol 70% v/v

6.2 Preapproved cleaning products [Toilet lifter]

Tradename	Solution
S90 Sanirens	1-3% peracid


For the Toilet lifter with a spiral cable going to its control, the following agents have been recommended by its manufacturer for the spiral cable.

6.3 Preapproved cleaning products [Spiral cable]


Tradename	Solution
Sekumatic FDR or FRE	3mL/L [pH 11.5-12]
Neodisher Dekonta	
Thermosept NDR	0.5% [pH 5-8]

Immediately after cleaning or disinfection, the product must be wiped down with a cloth wrung in clean water, then a dry rag, as some materials may otherwise become discolored and stained, and the surface coating may deteriorate.

Keep in mind, after prolonged use of the product, with regular cleaning intervals, it can be expected that certain surfaces will not have the same sheen as initially. The product can be disinfected regardless.

	<p>Note!</p> <p>Do not use cleaning agents containing abrasive e.g., scouring powder, steel wool, scouring sponge.</p> <p>This product is not designed to be sterilized. Autoclaving and sterilization beyond normal means may change the product safety and function.</p>
---	---

7. Maintenance

	<p>Note!</p> <p>Failing to comply with periodic maintenance may result in degradation of the product function and safety.</p>
---	--

7.1 Periodic maintenance

Component	Maintenance activity	Maintenance interval	Registration date of maintenance
Geberit Sigma 12 cistern	Descaling / change of worn components	6-12 months dependent on calcium content in water	

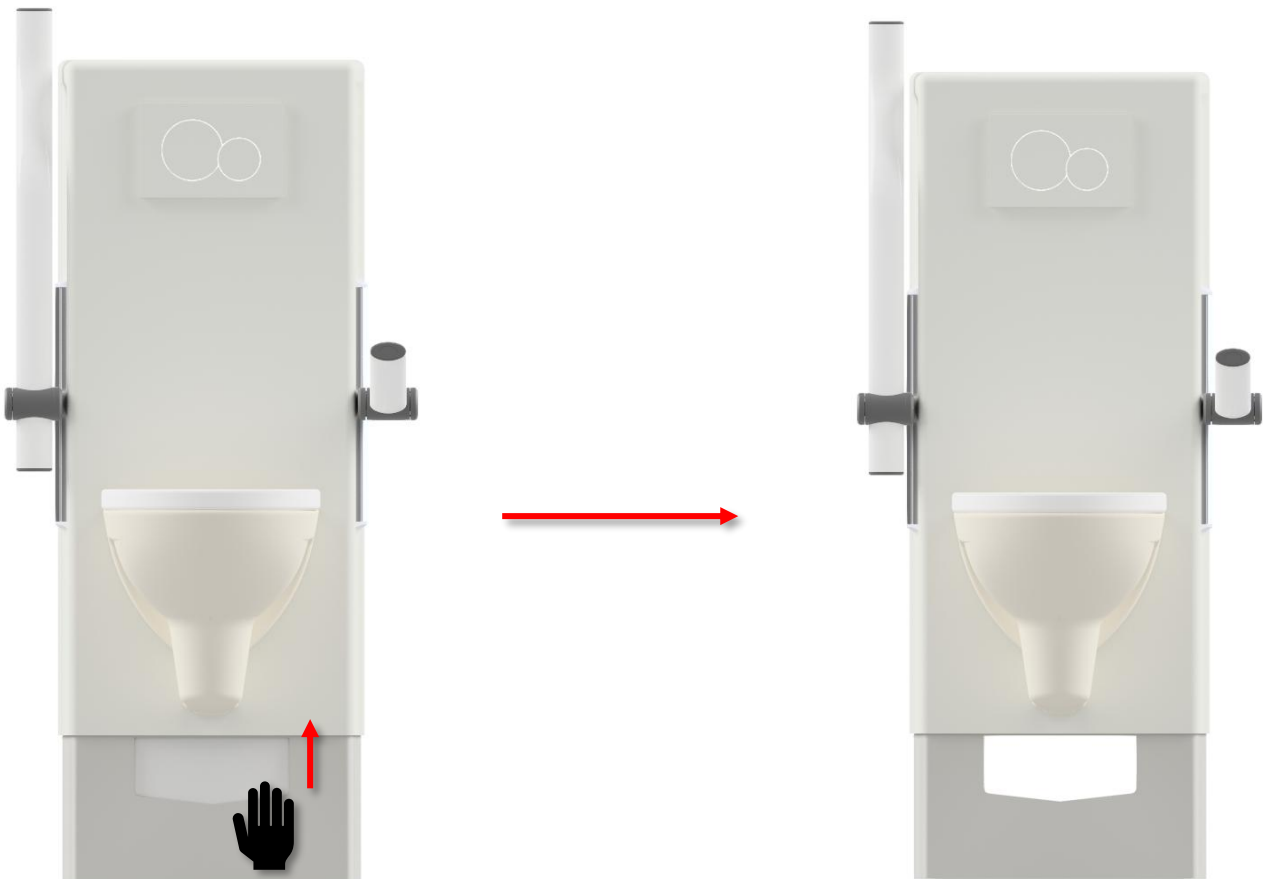
7.2 Calibration of actuator

Actuator(s) are aligned and calibrated from the factory. In case they need calibration to run simultaneously use the following procedure.


Press and hold both UP and DOWN on the remote (▲▼) until the unit has beeped approx. ten times. Then adjust the product to the bottom position by pressing DOWN on the remote until movement of both columns are in the lowest possible position.

7.3 Maintenance of pipes and wiring

If need be, it's possible to open the lower cover plate, by taking the lifter to the highest position, and sliding the service hatch up. Never attempt to service the toilet lifter while actuating it.



8. Component parts list

	<p>Note!</p> <p>Ropox will make part lists and circuit diagrams available for extraordinary maintenance and repair beyond what is described in this manual. Repair beyond what is described in this manual may only be done by Ropox designated service personnel.</p>
---	---

9. Environmental protection

The product is not intended to be disposed as municipal waste. Proper disassembly, sorting and disposal of components must be done by waste disposal professionals.




Part	Disposal recommendation
Frame	Steel
Cistern	Hard plastic Polystyrene
Covers	Hard plastic (ABS/PMMA)
Height adjustable toilet support arms	Steel

10. Electromagnetic compatibility

10.1 Suitable Environments


The device is suitable for use at home, at daycare centers, at day centers for people with physical or mental disabilities or at hospitals except near active HF surgical equipment and the RF shielded room of a medical electrical system for magnetic resonance imaging, where the intensity of electromagnetic disturbances is high.

10.2 Adjacent and stacked use


	<p>Warning!</p> <p>Use of this equipment adjacent to or stacked with other equipment should be avoided, as it could result in improper operation. If such use is necessary, this equipment and the other equipment should be observed to verify that they are operating normally.</p>
---	--

10.3 Cables

Cable component	Length
Power cable	1,2m
Remote spiral cable	Wireless

	<p>Warning!</p> <p>Use of accessories, transducers, and cables other than those specified or provided by the manufacturer of this could result in increased electromagnetic emissions or decreased electromagnetic immunity of this equipment and result in improper operation.</p>
---	--

10.4 RF portable equipment

	<p>Warning!</p> <p>Portable RF communications equipment (including peripherals such as antenna cables and external antennas) should be used no closer than 30 cm (12 inches) to any part of the device, including cables specified by the manufacturer. Otherwise, degradation of the performance of this equipment could occur.</p>
---	---

11. Accident reporting

The manufacturer of this product recommends any accident with this product that meets all the following criteria reported to the appropriate authority as well as to the manufacturer.

1. There has been or could have been an accident
2. The medical device is considered to be a contributing factor to the case, and
3. The event resulted or could have resulted in one of the following outcomes:
 - Death - a patient, a user or a third party's death
 - A serious deterioration of a patient's health, a user's health or a third party's health status in the form of:
 - a. Life-threatening disease
 - b. Lasting damage or injury
 - c. Necessary medical or surgical treatment to divert life-threatening illness, permanent injury
 - d. Fetal death, fetal injury, or congenital abnormalities