

”A sit/stand table giving you a comfortable height and posture”



ROPOX VISION HIGH-LOW TABLE

A PRACTICAL AND BEAUTIFUL DESK

You can work either sitting or standing at the Vision High-Low, as the height is easy to adjust to your working position by a light pressure on the control switch. You can tilt the worktop and shorten the visual distance to the documents on the worktop which is convenient particularly for weak-sighted and users with reduced arm function. The tabletop has a matte surface, therefore no annoying glare.

Vision High-Low is both elegant and advanced. It is in a simple, classic design and provides all the features you need in a modern desk.

Furthermore, you can choose arm supports if you prefer extra support for your forearms and as an aid for a balanced position.



ROPOX™

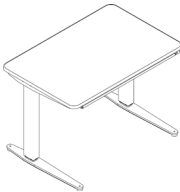
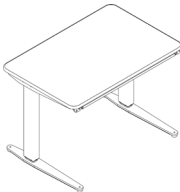
BETTER WAYS TO BETTER DAYS


- A PART OF AddLife®

ROPOX VISION HIGH-LOW TABLE

Max. load capacity: 130kg
 Height: 62-127 cm
 Depth: 60 cm
 Width: 90 or 120 cm
 Inner Width: 71 or 101 cm
 Frame Colour: Silver Grey

TECHNICAL INFORMATION

VARIANT/MODEL	A	B
SIZE 90 X 60 CM	 Item no.: 20-60800	 Item no.: 20-60801

VARIANT/MODEL	A	B
SIZE 120 X 60 CM	 Item no.: 20-60800	 Item no.: 20-60801

All tables are electrical height adjustable from 62-127 cm.

Stepless tiltable tabletop up to 71°.

COLOUR FOR TABLETOPS:



Standard

ACCESSORIES

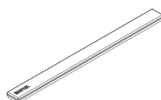
Arm support
incl. bag and hook
Item no.: 20-60520



Arm support lock-able
incl. hook and bag
Item no.: 20-60517



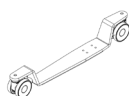
MagRule
30 cm Item no.: 20-60545
50 cm Item no.: 20-60541



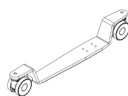
Magnet
Item no.: 50200-000



Castors with brake without height increase
Table depth 60 cm
Item: 20-60821



Castors with brake without height increase
Table depth 90 cm
Item: 20-60823



NB! Find more information about measurements, technical data, installation interfaces and much more under the product and in the instruction manuals on our website.