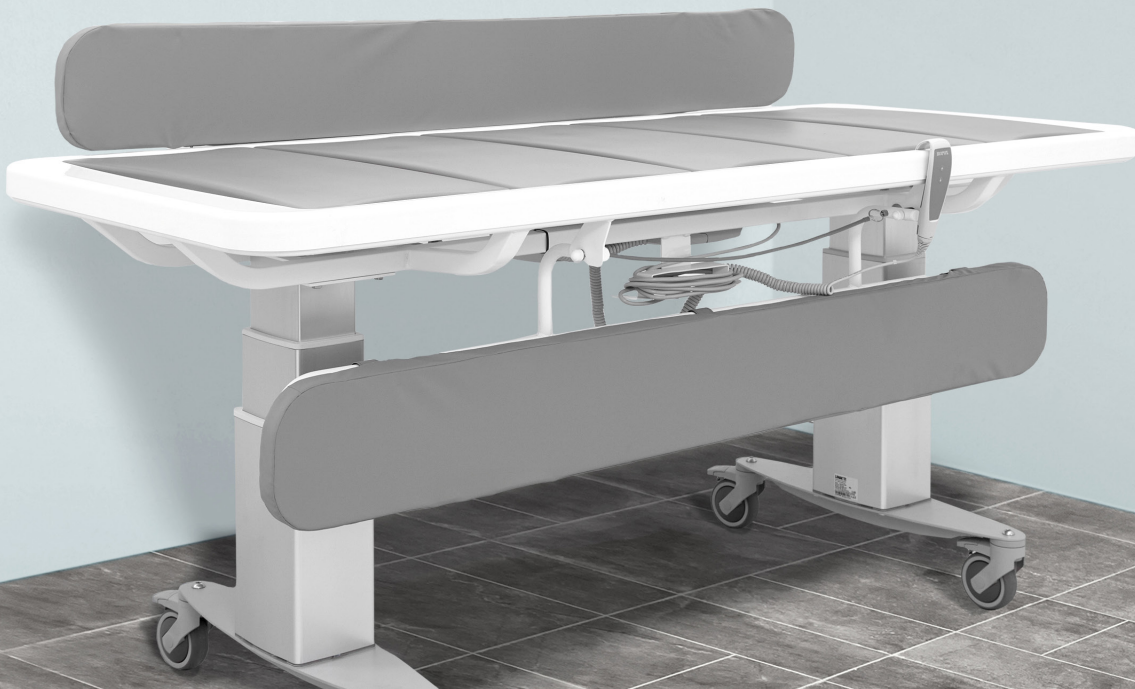


”An electrical shower/changing bed
with a high degree of comfort”



ROPOX MOBILIO SHOWER BED

OPTIMUM WORKING CONDITIONS FOR THE CARE WORKERS AND A SAFE AND COMFORTABLE EXPERIENCE FOR THE USERS

A high degree of comfort and hygiene for user and carer

The shower bed's design ensures that the user always lies comfortably on the slats and that the water quickly flows into the tray and away. It is easy for the staff to clean the slats and collection tray after use. It is not only the most hygienic, but it is also the most practical.

The reversible slats have a soft, warm and pleasant feel. They bend slightly downwards on one side, so the user lies safely and securely in the shower, and water and soap can run quickly into the tray. The other side bends slightly upwards, which makes it easier for the care workers to turn a user when helping them change.

Security in focus

The height is adjusted with a hand control, providing the care workers with a healthy work posture and easy access to the shower bed. It

also makes it more manageable to help a user onto the shower bench from, e.g., a wheelchair. The movable changing/shower bed comes with a battery solution so you can move it without considering if cords or cables get in the way. It is also possible to mount a central brake system so the carers can brake the shower bed easily and quickly. All in all, the Mobilio shower/changing bed is a flexible, comfortable and safe solution for both users and care workers.

Easy transportation

The height adjustment gives the carers the right working height, and it reduces the amount of person lifting and moving because it is easy to help a user from, e.g., the bedroom to the bathroom. The users will find that changing and showering becomes a safe and comfortable experience.

ROPOX™

BETTER WAYS TO BETTER DAYS


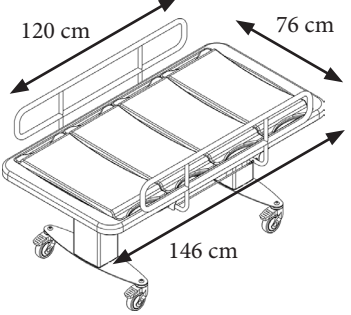
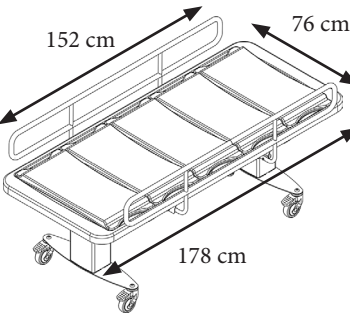
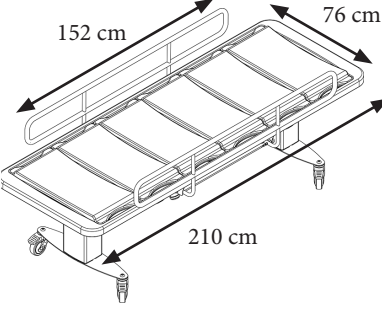
- A PART OF AddLife®

ROPOX MOBILIO SHOWER BED

Height adjustment: 40 cm (59-99 cm) above floor

Max. load: cf. ISO 17966:2016
Max. user weight: 200 kg

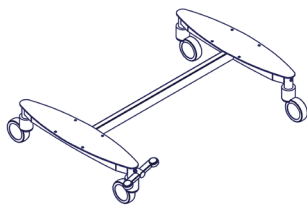
ROPOX MOBILIO SHOWER BED

MOVABLE CHANGING/SHOWER BED 		
		
<p>Length 146 cm Item no.: 40-31406 Incl. bed guard</p>	<p>Length 178 cm Item no.: 40-31410 Incl. bed guard</p>	<p>Length 210 cm Item no.: 40-31411 Incl. bed guard</p>

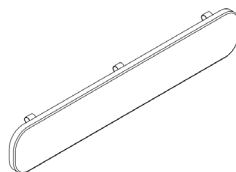
- * The bed is easy to adjust in height with the electrical hand control.
- * It is possible to mount end guard (optional) at both ends.
- * Bed guards for the sides are included.
- * If fitted with a battery (optional), the product can be used also when charged.

ACCESSORIES

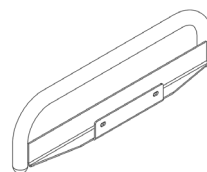
Central brake
Length 146 cm Item no.: 40-30768
Length 178 cm Item no.: 40-30767
Length 210 cm Item no.: 40-30766



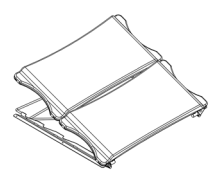
Cover for bed guard
Length 146 cm Item no.: 40-25782
Length 178 cm, 210 cm Item no.: 40-25783



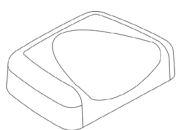
Bed guard
Item no.: 40-25038



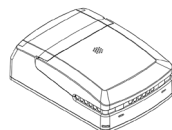
Back support
Item no.: 40-25031



Headrest
Item no.: 40-25090



Battery
Item no.: 40-30762



NB! Find more information about measurements, technical data, installation interfaces and much more under the product and in the instruction manuals on our website.

The items are produced according to the following Standard: DS / ISO 17966:2016

ROPOX A/S · Ringstedgade 221 · 4700 Naestved, Denmark – Phone: +45 5575 0500 · info@ropox.com · www.ropox.com

ROPOX™

BETTER WAYS TO BETTER DAYS

– A PART OF AddLife®