

”With the right aids,
daily life becomes easier”



ROPOX SUPPORTLINE

A ROBUST WASHBASIN THAT CAN BE ADJUSTED TO MATCH YOUR NEEDS

A support washbasin is especially suitable for walking-impaired because you can use the integrated, ergonomic grab rails as support and as help when getting up or sitting down.

You can adjust the height of the washbasin to suit the physical capabilities of the individual user, and it is easy to slide the unit sideways allowing you to place the basin where you need it the most.

It is easy to keep the washbasin clean due to the cleaning-friendly design, and even though the basin is very robust and stable, it still has a simple and elegant look.

The solid, integrated grab rails ensure safety to lean on and use as a support when you move around in the room.




ROPOX™
BETTER WAYS TO BETTER DAYS
— A PART OF AddLife®

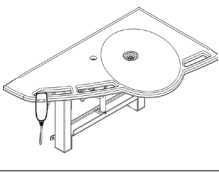
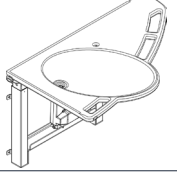
ROPOX SUPPORTLINE


Height adjustment: Model Basic / Manual 71-101 cm
Model Electric 71-96 cm

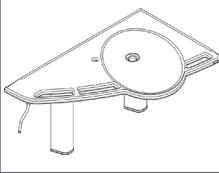
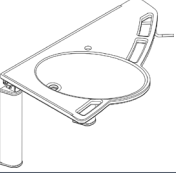
Max. user weight: Tested acc. DS/ISO 17966:2016
(see max. user weight below)


VARIANT/MODEL

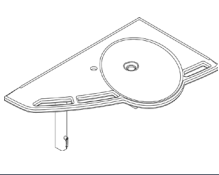
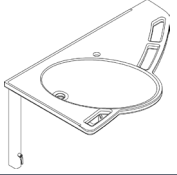
ELEKTRIC HEIGHT ADJUSTMENT 


	
Left / 520 kg Item no.: 40-44016	Right / 520 kg Item no.: 40-44017

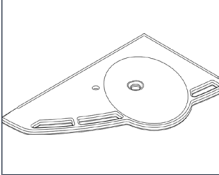
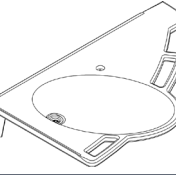
MANUAL HEIGHT ADJUSTMENT 

	
Left / 400 kg Item no.: 40-44014	Right / 400 kg Item no.: 40-44015

BASIC - PERIODIC ADJUSTMENT 

	
Left / 400 kg Item no.: 40-44012	Right / 400 kg Item no.: 40-44013

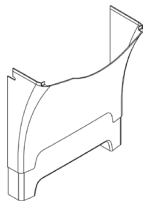
FIXED - FIXED HØJDE 

	
Left / 400 kg Item no.: 40-44010	Right / 400 kg Item no.: 40-44011

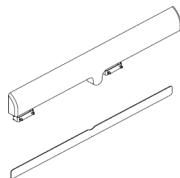
ACCESSORIES

Cover

Item no.: 40-44023 (left)+40-44024 (right) (Electric)
Item no.: 40-44027 (left)+40-44028 (right) (Manual)
Item no.: 40-44021 (left)+40-44022 (right) (Basic & Fixed)

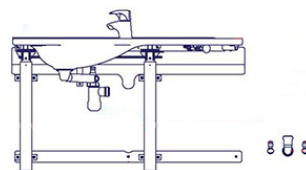


System for sideways sliding (35 cm)
Item no.: 40-44030 (Manual & Electric)



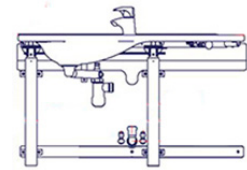
Plumbing kit (next to unit)

Item no.: 40-44034 (Electric & Manual)



Plumbing kit (within unit)

Item no.: 40-44031 (Manual)



Plumbing kit

Item no.: 40-44020+31 (Manual)
Item no.: 40-44033 (Basic & Fixed)



Fixed press pad

Item no.: 40-44026



Plug with overflow

Item no.: 40-40935



One-handle mixer tap

Item no.: 40-44040



Mixer tap with
loop-lever 180 mm
Item no.: 40-44039



NB! Find more information about measurements, technical data, installation interfaces and much more under the product and in the instruction manuals on our website.

The items are produced according to the following Standard: DS / ISO 17966:2016

ROPOX A/S · Ringstedgade 221 · 4700 Naestved, Denmark · Phone: +45 5575 0500 · info@ropox.com · www.ropox.com

ROPOX™

BETTER WAYS TO BETTER DAYS

- A PART OF AddLife®