

Ropox Backrest

User Manual

Keep this manual with the product at all times

Contents

Product information	3
Designs	3
Technical data	4
Dimension sketches.....	5
Dimension sketches	5
User Instructions	7
Recommendations	7
Maintenance	8
Retightening of armrests	8
Cleaning	8
Fault finding	11
Waste handling	11
Factors affecting the performance of the product	11
Marking	12
Label.....	12
Symbols:.....	12
Spare parts	13
Complaints	14

Product information



It is important to read this manual before use

Product: Ropox Backrest

Manufacturer: Ropox A/S, DK-4700 Næstved, Tel. +45 55 75 05 00

Application: The backrest is designed to provide extra comfort and support for the Ropox Tip-up Shower Seat. The backrest and the seat are ideal for use in private homes, care centres or similar institutions. The backrest is available in two designs, with or without armrests.

Designs

40-43030 Ropox Backrest



40-43025 Ropox Backrest with armrests



Technical data

Width between armrests	500mm
Materials	Backrest: Polyurethane (PUR) foam Wall unit: Stainless steel, nylon Armrest: Aluminium, stainless steel, PA 6.6
Surface treatment:	Stainless steel: Powder-coated, white RAL 9010 matte
Max. load:	Tested according to DS/ISO 17966: 50 kg per armrest.



This product has CE marking and is thus in accordance with the basic requirements concerning functionality and safety according to the current Machinery Directive.

All models of Ropox Backrest are manufactured in accordance with the current requirements of Directive No. 93/42/EEC concerning Medical Devices and belong to the lowest risk class 1.



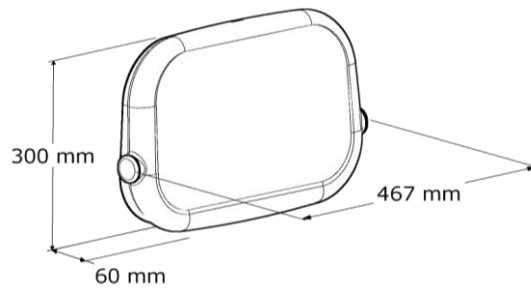
This product is UKCA-marked in accordance with:

UK SI 2002 No. 618 - *The Medical Devices Regulations 2002*, and its amendments

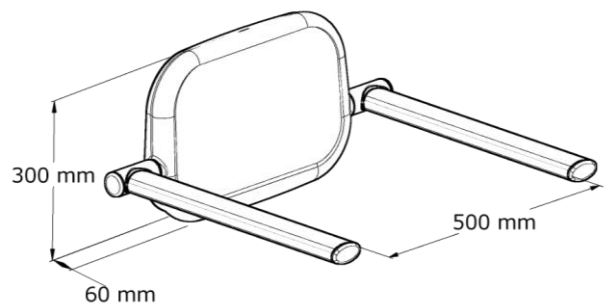
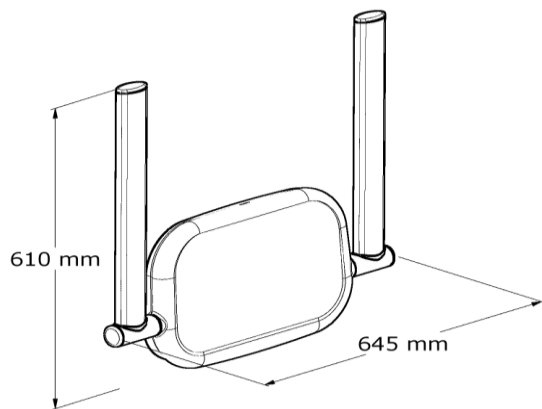
UK SI 2008 No. 1597 - *The Supply of Machinery (Safety) Regulations 2008*, and its amendments

Dimension sketches

40-43030 Ropox Backrest



40-43025 Ropox Backrest with armrests



Dimension sketches

CONSTRUCTION

The wall must be made of a material suited for screw mounting and approved for damp rooms.

According to DS/ISO 17966 the maximum user weight has been fixed at 50kg (110lbs) for each arm support. The hatched area is the minimum area for reinforcement of the wall. Reinforcement from floor to ceiling is advisable.

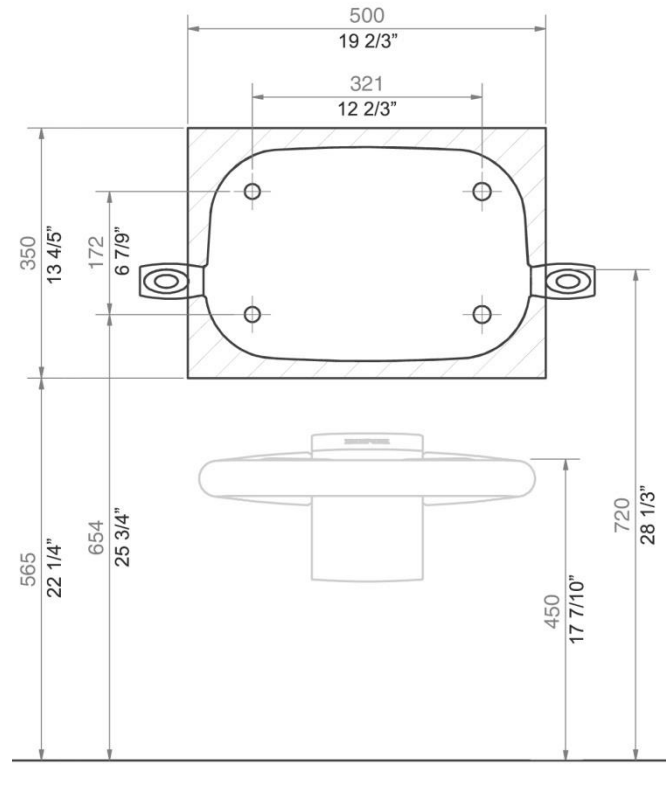
Max. tensile load of upper screws

40-43025: 110 kg/screw (243lbs)

NOTE:

All dimensions are based on a fixed seat height of 450mm (17 7/10") above floor level and a height of arm supports of 270mm (10 5/8") above the seat height. If a change of these dimensions is required, the recommended dimensions must be changed accordingly.

The backrest is supplied with a set of 4 screws and rawplugs suitable for mounting on a concrete wall. The fitter should always consider the material, condition and strength of the wall and use screws and rawplugs suitable for the specific wall type.



User Instructions

Recommendations

To ensure optimum utilisation of the Ropox Backrest and the functions of the armrests and to avoid accidents it is important to observe these basic safety instructions

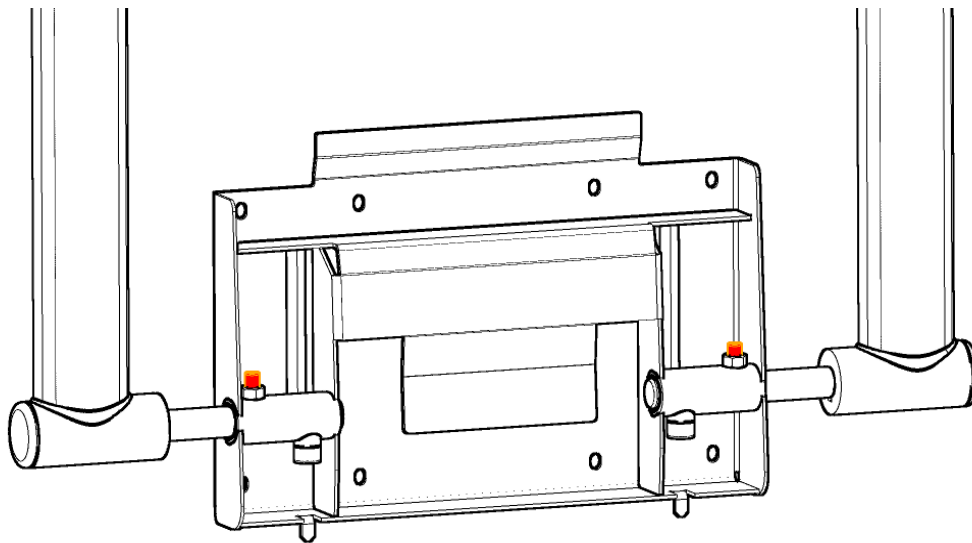
- Please note that the integral armrests are designed to cope with a load of 50 kg. This will provide support during normal use. Please also note that persons weighing more than 50 kg should not sit on the armrests!

Maintenance

Ropox Backrest and armrests are maintenance-free. However, for reasons of safety we recommend inspection of all mounting screws and moving parts at regular intervals to ensure proper fastening to the wall.

Retightening of armrests

On delivery the screws of the armrests have been tightened for the rests to be placed at an arbitrary angle. If required, the degree of tightening may be easily adjusted by means of an Allen key.



Cleaning

Do not use a high-pressure cleaner to clean this product.
Simply use a soft cloth or sponge with max. 60°C hot soap water (pH 7).
Always clean the back and armrests after use to avoid dirt from sticking to the surfaces.

Important:

Do not use scouring powder or other abrasives as they will scratch the surfaces.
Also, do not use sharp cleaning utensils. Strong acid or alkaline products are not allowed.

Avoid contact with iodine as this may result in discolouration of the product

For information about the resistance to other chemical substances we refer to the table below:

Chemical Resistance of PUR (Polyurethane)

Substance	Concentration (%)	Classification of requirement	Substance	Concentration (%)	Classification of requirement
Aceton		○	Magnesium chloride	30	●
Alums		○	Methanol	< 5	○ ^R
Aluminium chloride	10	●	Mythyl acetate		○
Formic acid	30	○	Mythyl chloride		○
Ammonia	10	●	Methylethylketon		○
Ammonium carbonate		○	Mythylglycol		○
Ammonium chloride		●	Mythylglycolacetate		○
Aniline		○	Lactic acid	10	○
ASTM-Oil I		●	Mineral oil		○*
ASTM-Oil II		●	Motor oil		○
ASTM-Oil III		●	Sodium chloride	10	●
ASTM-Fuel No. I		●	Sodium perchlorate solut.		●
ASTM-Fuel No. II		○	Soda lye	10	●
ASTM-Fuel No. III		○	Olive oil		●
Benzene		○	Ozone		●
Brake fluid ATE		○	Paraffin oil		●
Butanol		○	Perchlore ethylene		○
Butyl acetate		○	Petroleum ether		●
Calcium chloride	40	●	Petroleum		●
Chlorobenzene		○	Vegetable oils		●
Chloroform		○	Vegetable fats		●
Chloroprene		○	Phosphoric acid	50	○
Chromic acid		○	Nitric acid	30	○
Cyclohexan		○	Hydrochlorid acid, concen.		○
Cyclohexanon		○	Cutting oil		○*
Diethylether		●	Carbon disulfide		○
Diethylprestone		●	Sulfuric acid	30	●
Diesel oil		●	Sea water		●
Dimethylformamide		○	Silver salts	20	●
Ferric-III-chloride	10	●	Tetrachloroethylene		○
Acetic acid 20-80	10	○	Carbon tetrachloride	100	○
Ethanol	100	○	Tetrahydrofuran		○
Ethyl ether		○	Toluene		○
Ethylacetate		○	Trichlorethylene		○
Ethylencoloride		●	Tataric acid	< 10	●
Freon 12		○	Xylon		○
Freon 22		○			
Hydraulic oil SAE 90		○*			
Glycerin		●			
Glycol		●			
Isopropanol		○			
Potash lye	10	●			
Bichromate of potash		●			
Potassium nitrate		●			
Potassium permanganate		○			
Kerosene		●			

resistant	●
vastly resistant	●
conditionally resistant	○
not resistant	○

*for individual case, please verify

The information mentioned in this summary is given to the best of our own knowledge and based upon our long standing experience. But we would like to direct your attention to the fact, that the information is given without obligation. A final judgement can only be made in practice.

Fault finding

Error	Possible reasons / remedy
The arm rests are not horizontal when folded down	The recommended maximum load on the arms has been exceeded. The arms and wall fittings have been permanently damaged. Contact Ropox for new complete backrest and armrests.
The foam back is loose	Ensure that the back has been mounted correctly. See mounting instructions.

Waste handling



Used equipment must be disposed of according to national law. We recommend dismantling of the product to the greatest possible extent so that most parts may be reused. Examples of sorting groups: Aluminium (armrests) + stainless steel (wall fittings), plastic and PUR foam.

Factors affecting the performance of the product



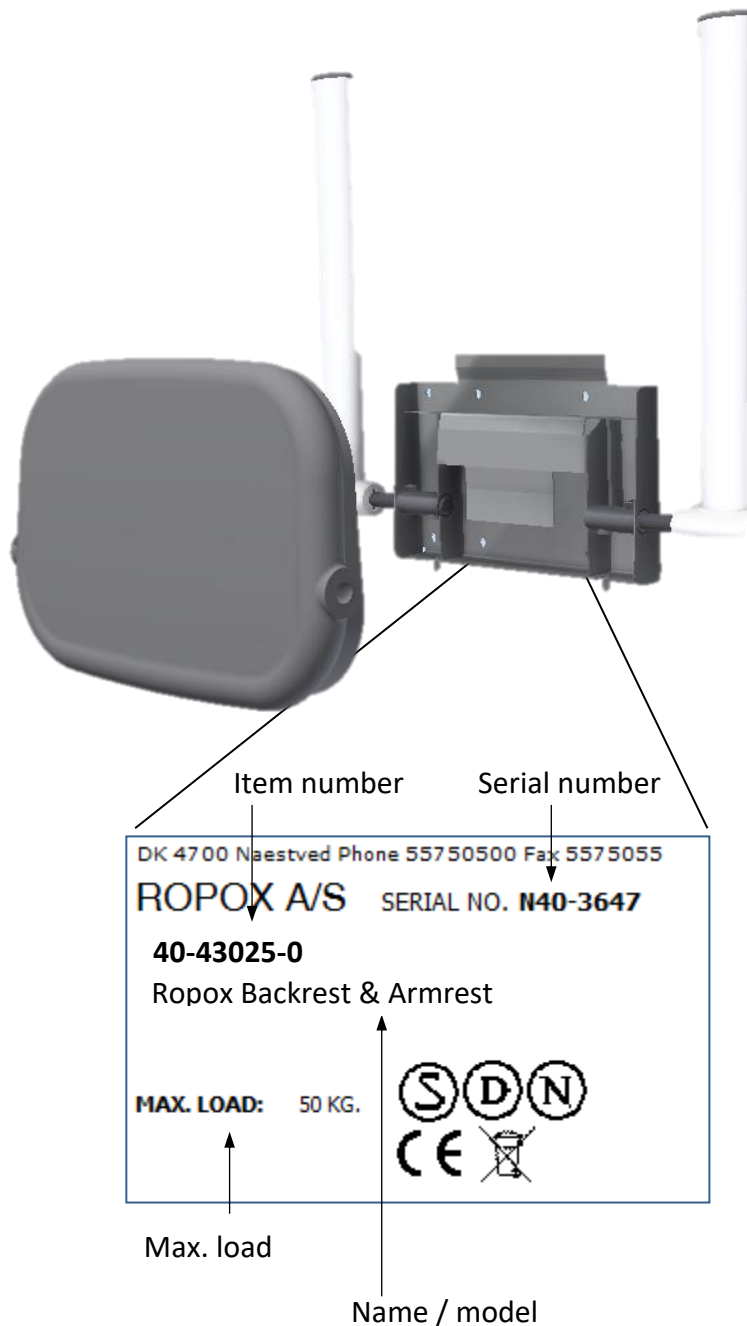
Temperature: 0°C to 50°C

Relative humidity: 5% to 85% non-condensing

Marking

Label

Each Ropox Backrest and armrest has a label of their own as shown below. This label contains important information to be stated in case of inquiries to the supplier.



Symbols:



The user manual must be read prior to use.



Waste must be sorted – if possible for recycling.

CE CE Marking. This product meets the requirements for General Safety and Functionality of the current EU Directives and standards.

Spare parts

Usual spare parts

40*43025-023 PUR backrest



Optional extras

The armrests are compatible with the specially designed fixture, which makes it easier to get up from or sit down on the seat.

40-40925 Special fixture



Complaints

Please see General Terms of Sale and Delivery on www.ropox.com

UK
CA

CE

Ropox A/S

Ringstedgade 221

DK – 4700 Naestved

Tel.: +45 55 75 05 00

E-mail: info@ropox.dk

www.ropox.dk