

Ropox Backrest

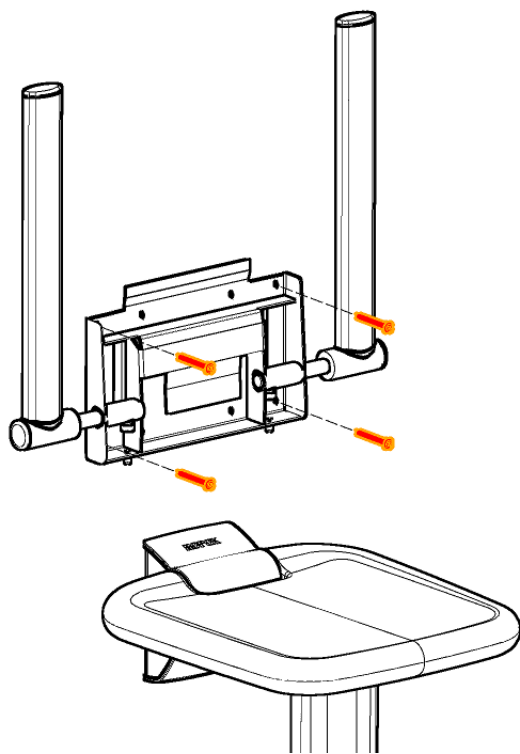
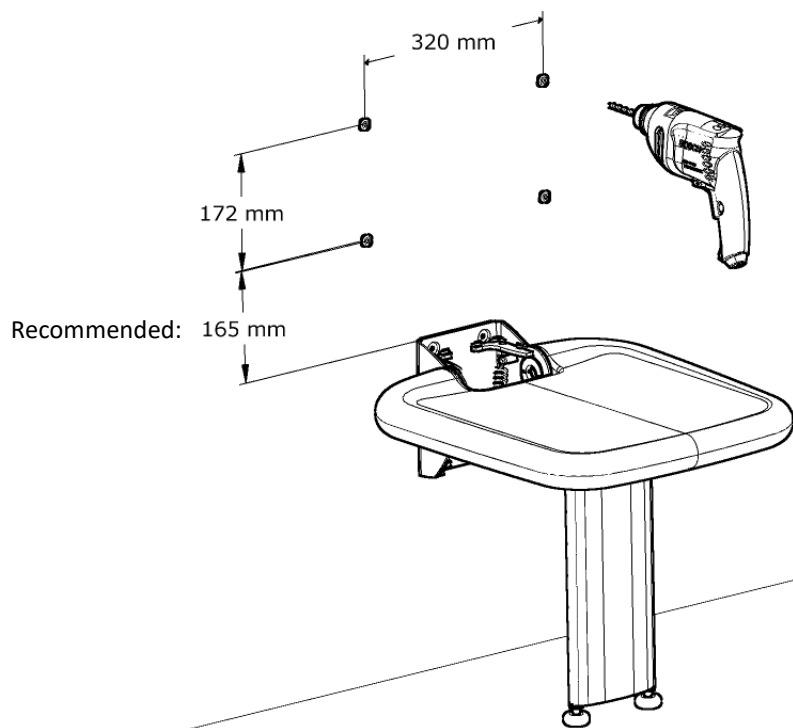
MOUNTING INSTRUCTIONS

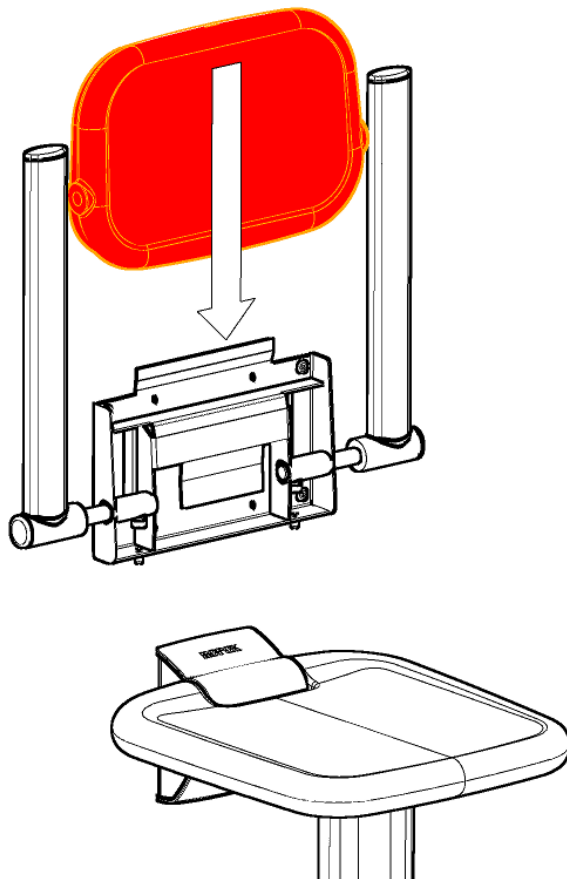
Keep these instructions with the product at all times

These Mounting Instructions comprise:

Backrest
with/without armrests x1

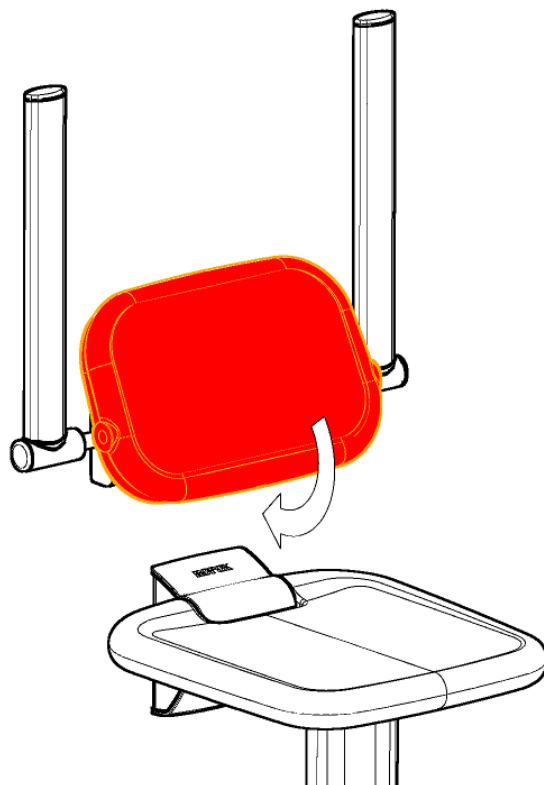
Mounting screws x4
Rawlplugs x4



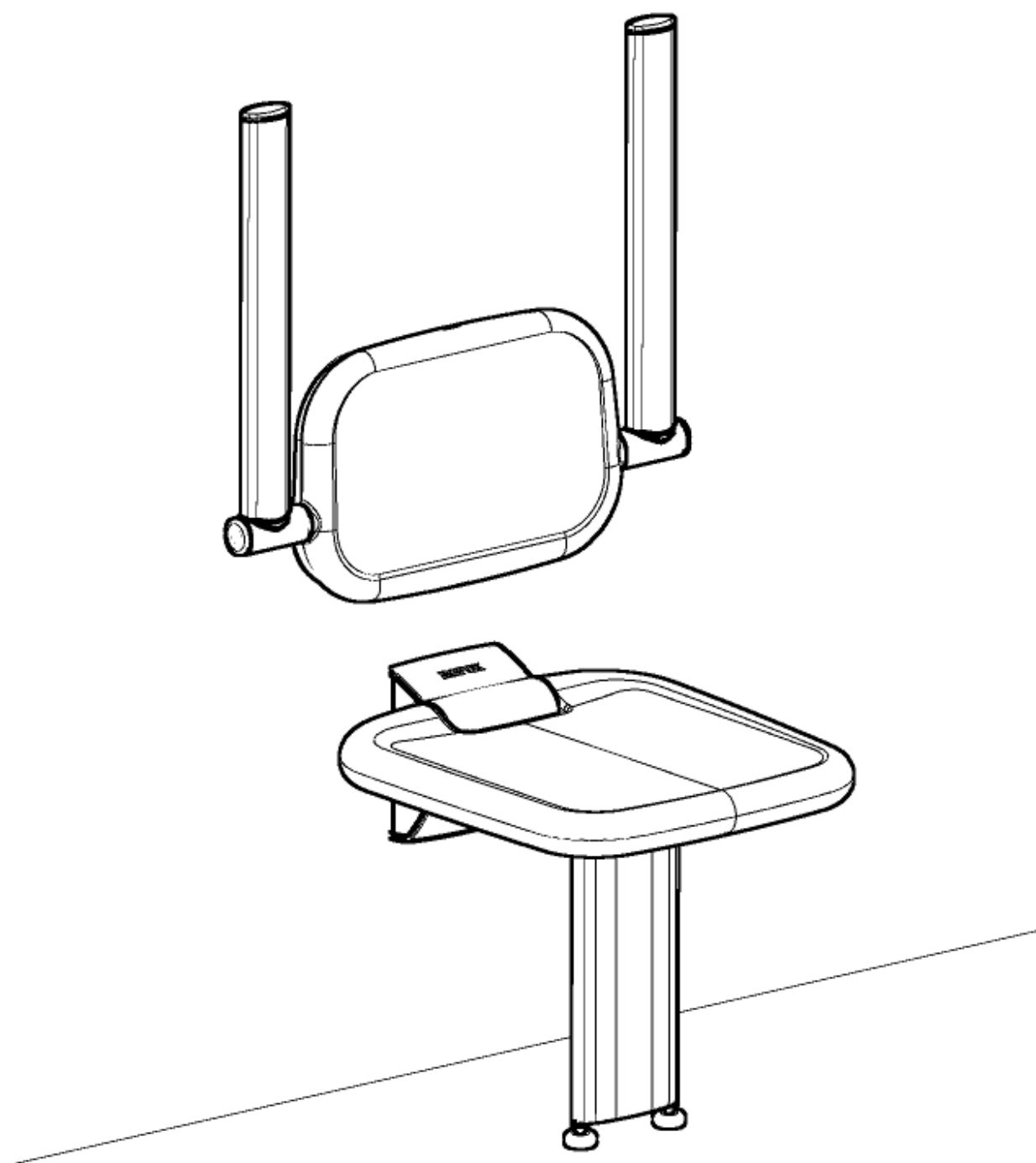


**Please note: Mount only the PUR backrest under tempered conditions.
At 10 C° or lower the backrest surface could crack during mounting.**

3



4



5