

Ropox Side Covers

User Manual

Mounting Instructions

Keep this manual with the product at all times

Contents

General information	3
Technical data	4
Mounting instructions	4
Maintenance	7
Cleaning	7
Complaints.....	8

General information

Product information



It is important to read this manual prior to mounting and use.

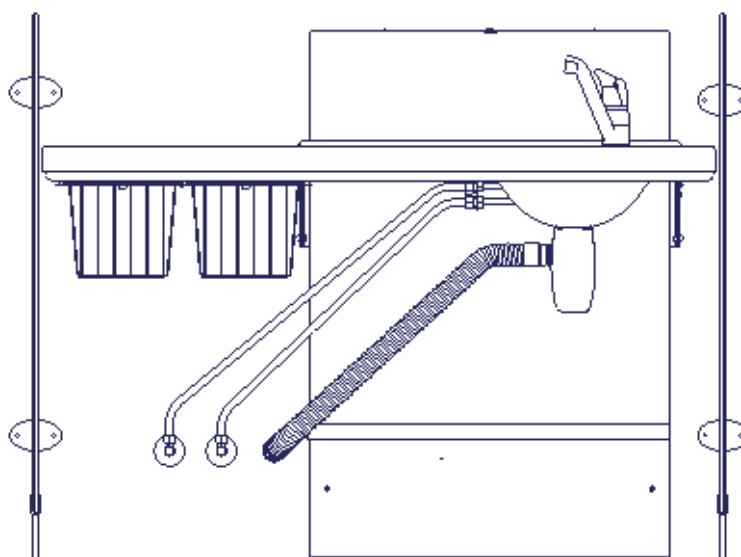
Product : Ropox Side Covers

Manufacturer: Ropox, DK-4700 Næstved, Tel. +45 55 75 05 00

Application – Ropox Side Covers are used together with Ropox Nursing Tables (Medi and Maxi) to provide safety for the person lying on the table and to avoid the risk of objects and persons getting jammed during height adjustment of the nursing table.

Item numbers

Size of side cover	Item number
61 cm x 105 cm	50-50683
82 cm x 105 cm	50-50682

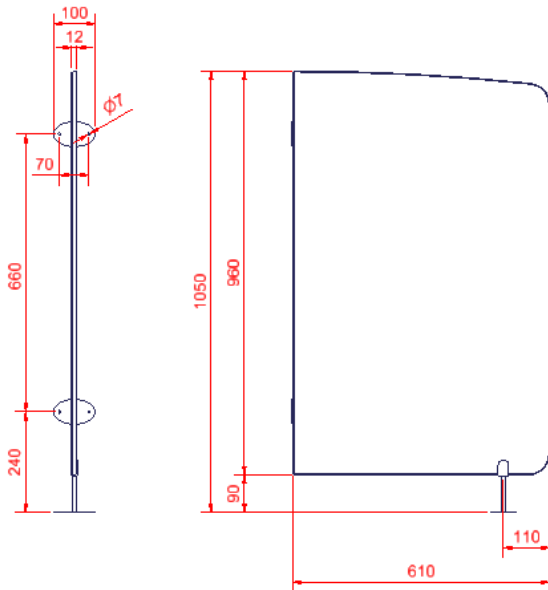


General information

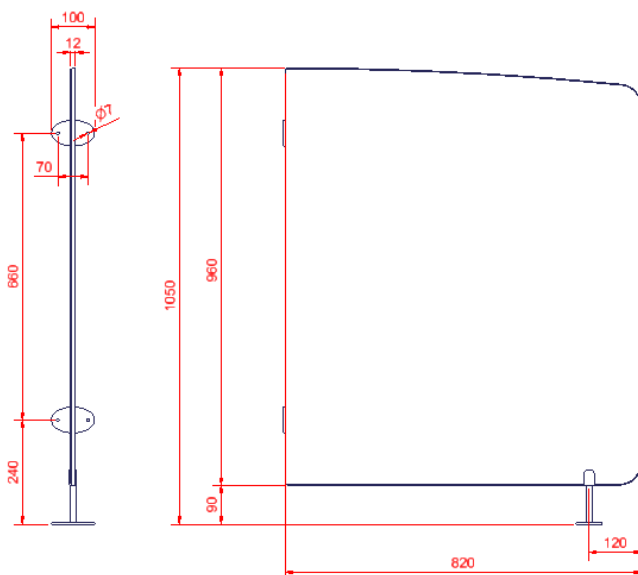
Technical data

Dimensions: 50-50682: 50-50683:
 Height = 105 cm Height = 105 cm
 Width = 82 cm Width = 61 cm

Material – fittings: Steel sheet St.37, powder-coated, white RAL 9010 mat
Material – cover plate: White 12 mm compact laminate

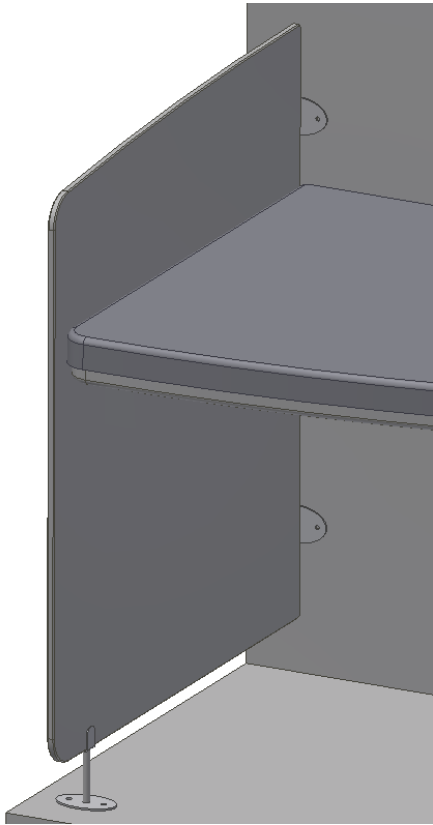


Side cover 50-50683

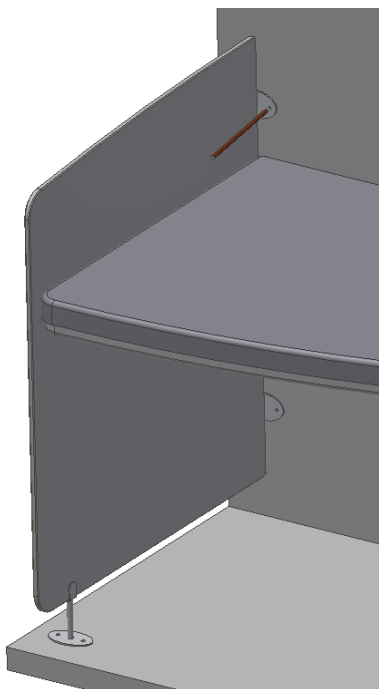


Side cover 50-50682

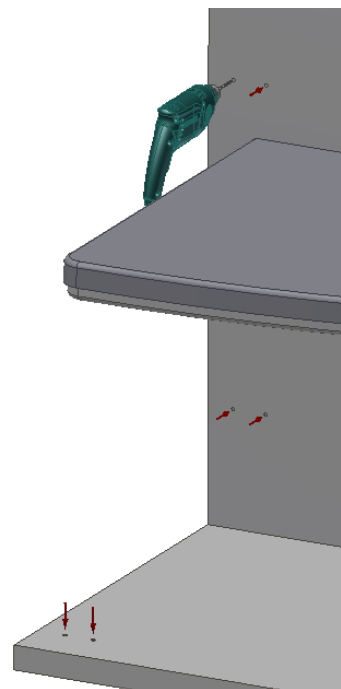
Mounting instructions



1. Place the side cover beside the nursing table to avoid the risk of getting jammed.

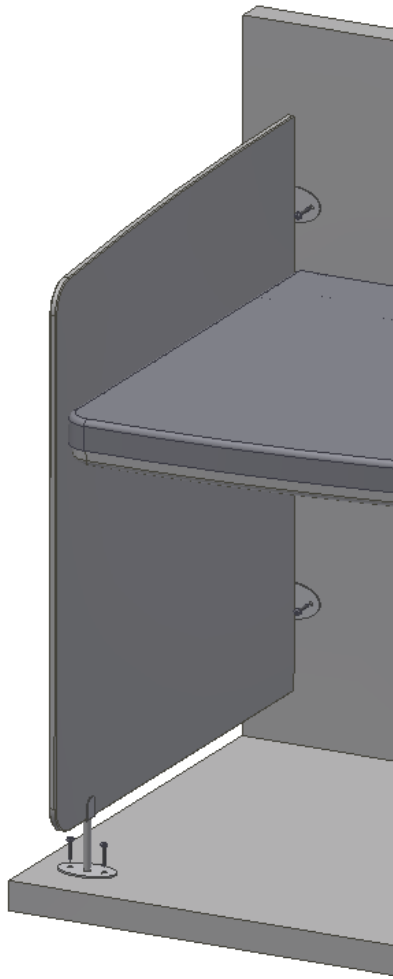


2. Mark holes on wall and floor through the three mounting fittings.

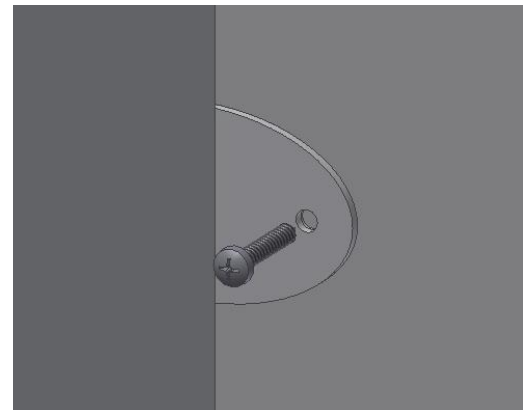
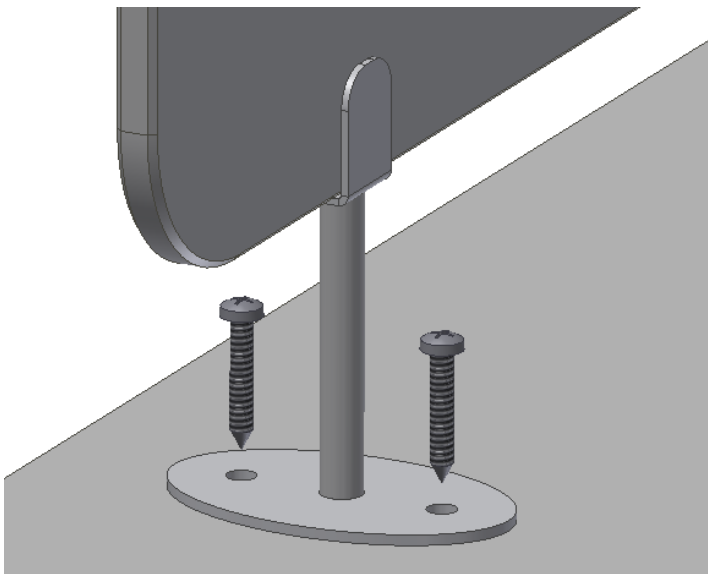


3. Drill holes in wall and floor.

Mounting instructions



4. Fit rawlplugs and bolts in the six holes.



Maintenance

Ropox side covers are maintenance-free. However, for safety reasons we recommend regular inspection of all assembly bolts to ensure correct and secure fastening.

Cleaning

Do not use a high-pressure washer to clean this product.

Simply use a soft cloth or sponge with soapy water of max. 60°C (pH 7) or cleaning alcohol.

Important

Do not use scouring powder or other abrasives, as they will scratch the surfaces.

Also, avoid the use of cleaning utensils with sharp edges. Never use strong mineral acids or alkaline products.

Complaints

Please see General Terms of Sale and Delivery on www.ropox.com



Ropox A/S

Ringstedgade 221

DK – 4700 Naestved

Tel.: +45 55 75 05 00

E-mail: info@ropox.dk

www.ropox.com