

# Ropox Vision Grouptable

User manual

Mounting instruction

**Keep always this folder with product!**

Contents:

<b>1. TECHNICAL DATA .....</b>	<b>3</b>
<b>2. INTRODUCTION .....</b>	<b>4</b>
<b>3. CONFORMITY WITH EU DIRECTIVE AND UK DIRECTIVE .....</b>	<b>4</b>
<b>4. APPLICATION .....</b>	<b>4</b>
<b>5. MODELS .....</b>	<b>5</b>
<b>6. COMPONENTS .....</b>	<b>6</b>
<b>7. MOUNTING INSTRUCTION .....</b>	<b>7</b>
7.1 Mounting of legsection .....	7
7.2 Mounting of feet .....	8
7.3 Mounting of extension axle.....	8
<b>8. HEIGHT ADJUSTMENT OF TABLE .....</b>	<b>9</b>
<b>9. PERFORMANCE TEST.....</b>	<b>10</b>
<b>10. SAFETY IN USE.....</b>	<b>10</b>
<b>11. CLEANING/ MAINTENANCE.....</b>	<b>11</b>
11.1 Cleaning of frame .....	11
11.2 Cleaning of tabletop, laminate.....	11
11.3 Maintenance .....	11
<b>12. FAULT FINDING .....</b>	<b>12</b>
12.1 The table seems loose or unstable .....	12
12.2 The height cannot be adjusted (adjustment is very difficult).....	12
<b>13. ACCESSORIES .....</b>	<b>13</b>
<b>14. COMPLAINTS .....</b>	<b>14</b>

## 1. Technical data

<b>Product name:</b>	<b>Ropox Vision Grouptable</b> Type 165, 200, 240 165x100 cm, 200x100 cm and 240x100 cm
<b>Item numbers:</b>	20-62XXX-11
<b>Height range:</b>	50–70 cm (manual) incl. tabletop 60–90 cm (manual) incl. tabletop
<b>Frame material:</b>	Aluminium leg. 606045-T6 Steel St. 37 Various plastic components
<b>Tabletop:</b>	Laminate
<b>Surface treatment:</b>	Anodic coating Powder coating Chromating
<b>Max. Load on the table (static):</b>	100 kg evenly distributed over the entire tabletop
<b>Max. Load during lifting (dynamisk):</b>	50 kg
<b>Temperature:</b>	5-45° C
<b>Air humidity:</b>	5-85 % (non-condensing)
<b>Complaints:</b>	See complaints, page 15
<b>Manufacturer:</b>	Ropox A/S, DK-4700 Naestved, Tlf.: +45 55 75 05 00 E-mail: <a href="mailto:info@ropox.dk">info@ropox.dk</a> , <a href="http://www.ropox.dk">www.ropox.dk</a>

## 2. Introduction

VISION is the new range of modern height-adjustable Ropox tables. In our opinion a product must be functional and beautiful – no matter who is going to use it. That’s what we call VISION.

Vision is available in several sizes to suit individuals and carers needs. Sufficient legspace makes the table ideal for wheelchair users and gives the therapist optimum working conditions in a training situation. Due to the unique design with rounded corners there is no danger of hitting sharp edges when moving round the table and two inconspicuous castors at the back, make it easy to draw the table closer to the user. As an option extra arm supports may be clipped on and off as required.

Vision meets all needs and ensures ergonomically correct working positions for people with or without disability.



This document should always accompany the product and be read by and be available to the user.

Correct use, operation and inspection are decisive factors for efficient and safe performance.



As this product is adjustable in height there is a risk of squeezing. The product must therefore always be operated by or under the guidance of an experienced adult, who has read and understood the importance of section 14 "Safety in use".

It is very important that there are no obstacles between the tilted tabletop and the frame to prevent any change of entrapment.

## 3. Conformity with EU Directive and UK Directive

This product has CE marking and is thus in accordance with the basic requirements concerning functionality and safety of the current EU Directive.

This product has UKCA-marking according to the current Directives and thus complies with the basic safety requirements.

## 4. Application

Vision is designed to obtain optimum working height for the user. It is an activity table not intended for lifting people or objects.

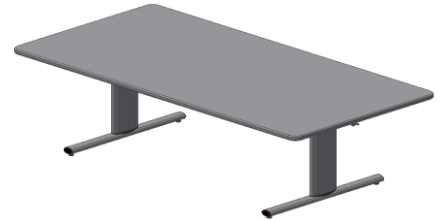
Vision should be used indoor, at temperatures and humidity as described in section 1.

## 5. Models

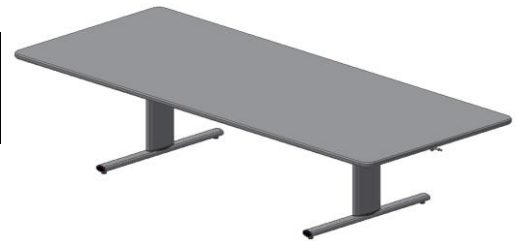
Modelname	Size	Height 50-70cm	Height 60-90cm
Vision grouptable	165x100cm	20-62116-11	20-62216-11



Modelname	Size	Height 50-70cm	Height 60-90cm
Vision grouptable	200x100cm	20-62120-11	20-62220-11



Modelname	Size	Height 50-70cm	Height 60-90cm
Vision grouptable	240x100cm	20-62124-11	20-62224-11



## 6. Components

Leg section 1 stk.

*Contains:*

**Beam:**

20-60401-052, 1 pc.

**Leg height 50-70cm:**

20-60320-355, 1 pc.

20-60320-359, 1 pc.

**Leg height 60-90cm:**

20-60320-570, 1 pc.

20-60320-571, 1 pc.

Screws M6x16, 95010618, 4 pcs.

Screws M8x30, 95010830, 4 pcs.

Feet mounted with plugs and adjusting screws

20-60320-376 2 pcs.

Tabletop 1 pc.

*Contains:*

**Tabletop:**

165x100cm: 64116510

200x100cm: 64120010

240x100cm: 64124010

**Support arms:**

20-60320-174 2 pcs.

Extension axle 2 pcs.

For 165x100cm: 20-60320-254

For 200x100cm: 20-60320-255

For 240x100cm: 20-60320-256

Allen key 4mm 95001019: 1 pc.

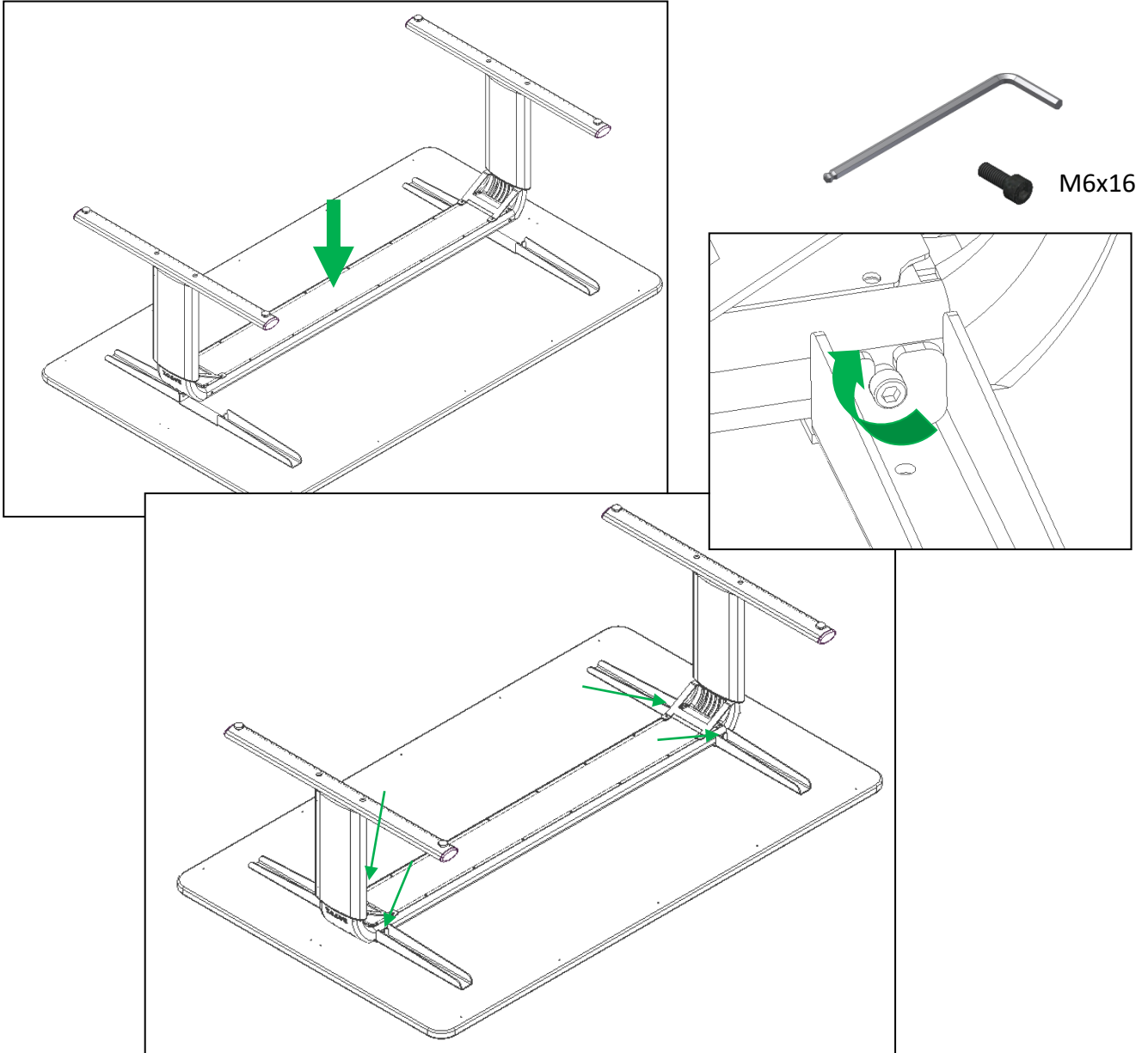
Allen key 6 mm 95000006: 1 pc.

Handle: 1 pc.

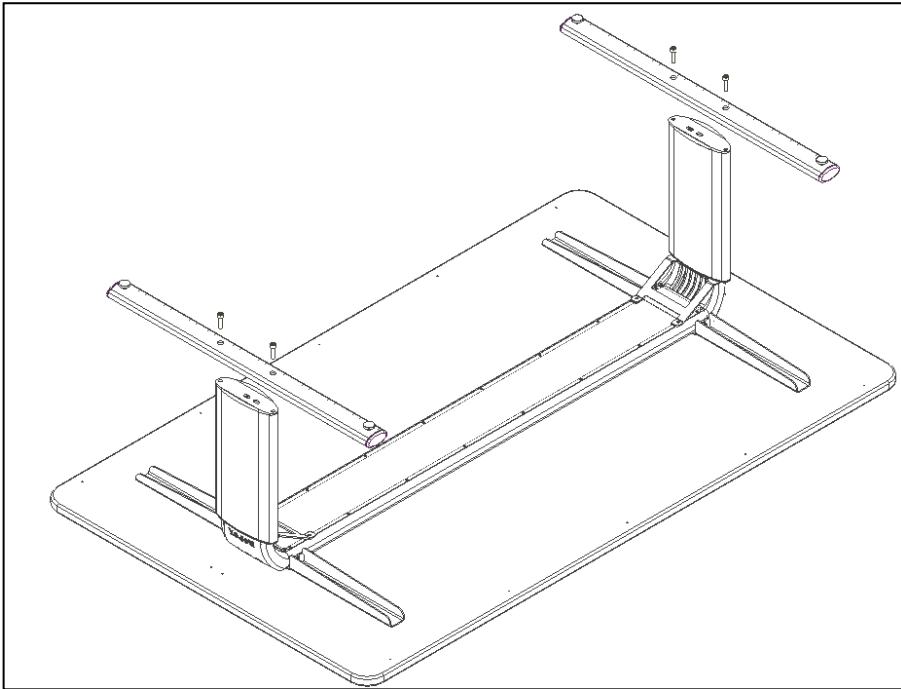


# 7. Mounting instruction

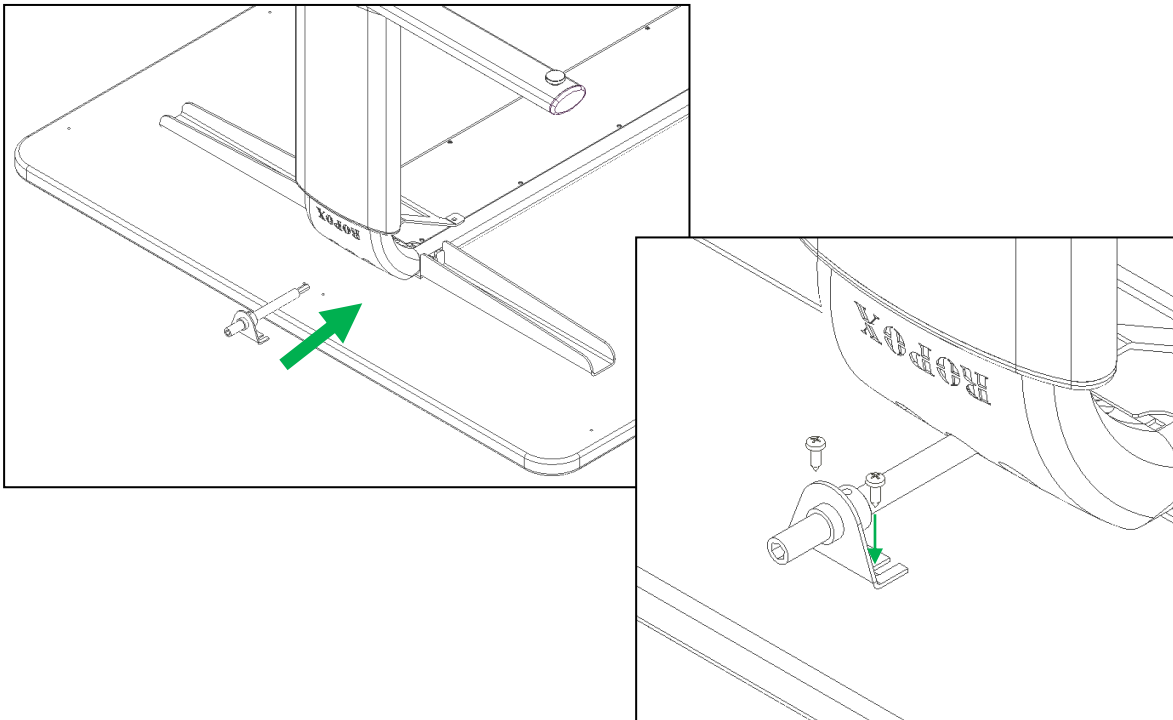
## 7.1 Mounting of legsection



7.2 Mounting of feet

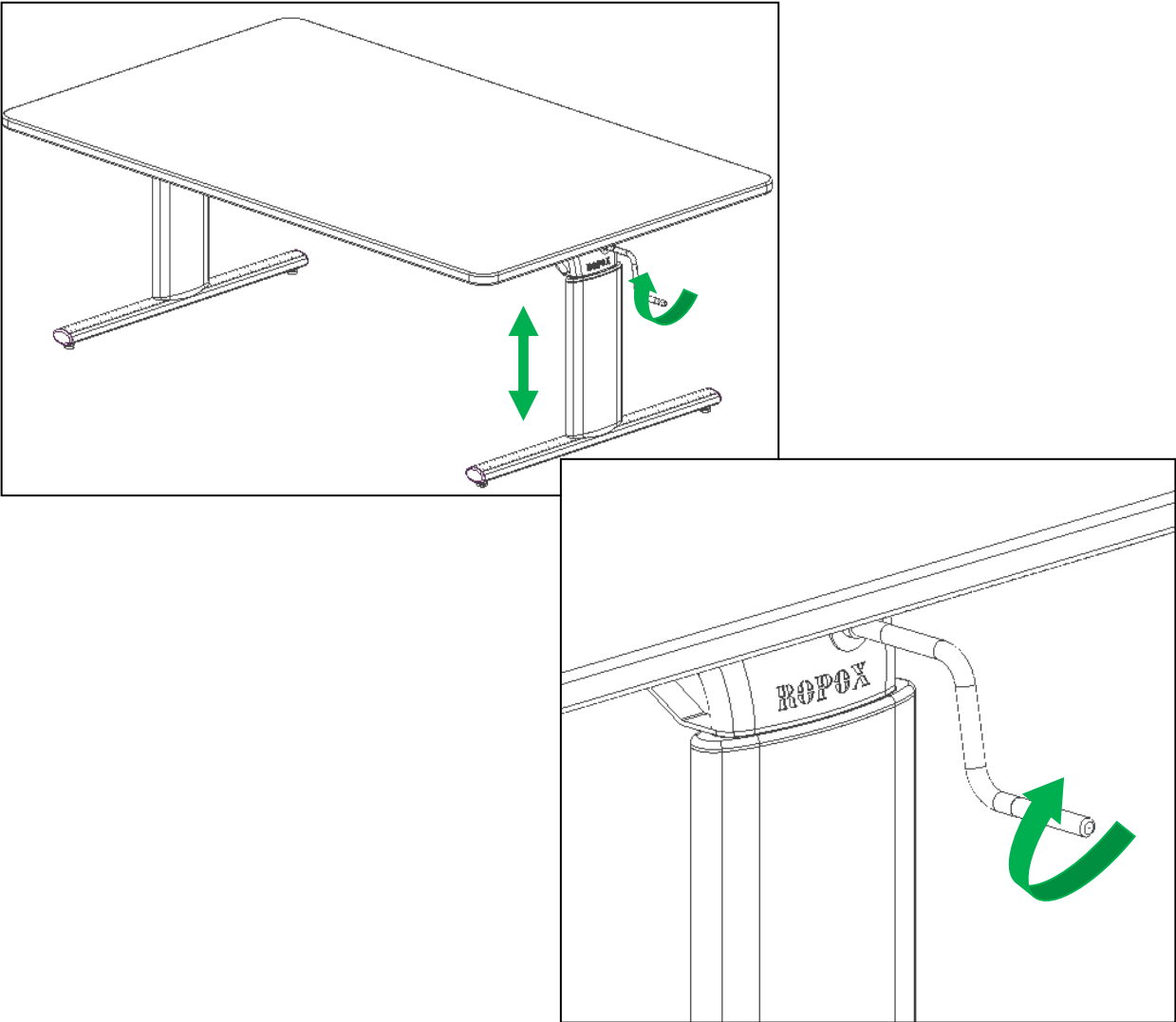


7.3 Mounting of extension axle





# 8. Height adjustment of table



## 9. Performance test

After completed installation and before use, all functions of the table must be tested. After that, a performance test must be carried out at least once a year by competent personnel.

1. Check that the mounting instructions have been observed.
2. Check that all bolts have been tightened.
3. Make sure that there is no load on the table.
4. Make sure that there are no objects or the like preventing the table from moving unhindered within the range of height adjustment.
5. Place the handle as illustrated in the manual and adjust the table to bottom position. Check that the movement is even and smooth.
6. Now adjust the table to top position and check that the movement is even and smooth.

When these tests have been carried out successfully, the table is ready for use. See "Safety in use", Section 10.

## 10. Safety in use

- Vision must only be used by persons, who have read and understood these instructions.
- Vision is an activity table and must not be used as a lifting table or person lifter.
- When using the table with arm supports, verify that the supports are correctly placed and stable before using the product.
- If the table has caster wheels, it is recommended to always have the casters locked whenever the table is not being moved. This is to avoid any risk associated with unintentional movement of the table.
- Always use the table in a manner excluding the risk of damage to persons or property. The person operating the table is responsible for avoiding damage or injury.
- Make sure that there is free space above and below the table to allow height adjustment.
- Do not operate the table in case of defects or damage.
- Do not overload the table and ensure that the load distribution is correct.
- During inspections, service or repairs any load must be removed from the table.
- Modifications, which may influence the performance or design of the table, are not allowed.
- Assembly, service and repairs must be carried out by competent personnel.
- If the table has not been assembled according to these mounting instructions, the guarantee may become void.
- Only use Ropox original spare parts for replacement. If other spare parts are used, the guarantee may become void.

## 11. Cleaning/ maintenance

### 11.1 Cleaning of frame

Dry the frame with a wrung cloth with lukewarm water and a mild detergent. Do not use Enchants or abrasives or grinding cloths, brushes or sponges.

After cleaning, dry the frame.

Disinfection of the frame may be done with household spirits.

### 11.2 Cleaning of tabletop, laminate

Clean the laminate tabletop with a soft cloth wrung in hot water with a liquid detergent, which is not sulfonated, as this will result in a greasy surface. Stains that cannot be removed with water may often be removed with equal parts chlorine and water or with acetone. When using these materials, be aware of airing of the room and make sure that the frame does not get in touch with these cleaning materials.

Stains from felt-tip pens may be removed by means of ordinary denatured alcohol. Pencil strokes should be removed with a piece of eraser. Certain chemicals, ink and strongly coloured fruit juices may – if they are left on the table top for a longer period – result in discoloration as the colour pigments stick to the surface.

Never use steel wool, scouring powder or cleaning materials, which leave a film on the surface, e.g. yellow soap.

After cleaning, it is recommendable to wash the surface with a cloth wrung in clean water and dry with a soft cloth.

Disinfection of the tabletop may be done with household spirits.

### 11.3 Maintenance



Inspections, service and repairs must be carried out by competent personnel

The frame is maintenance-free and moving parts have been lubricated for life. For reasons of safety and reliability, we recommend inspection of the frame once a year:

- Check that all bolts have been securely fastened.
- Check that the table moves from bottom to top position without problems.

Only use Ropox original spare parts for replacement. If other spare parts are used, the guarantee may become void.

## **12. Fault finding**

### **12.1 The table seems loose or unstable**

- The assembly screws have not been securely tightened.
- Retighten all screws, cf. mounting instructions.

### **12.2 The height cannot be adjusted (adjustment is very difficult)**

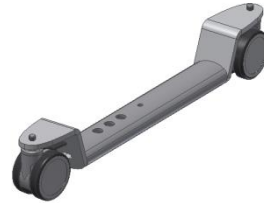
- Check that there is no load on the table.
- Check the table for physical overloading or damage.

### 13. Accessories

Castors, 4 pcs, increase height 8cm:  
Mounted by Ropox, Item number 20-60570  
For remounting, Item number 20-60575



Castors without height increase:  
Mounted by Ropox, Item number 20-60579  
For remounting, Item number 20-60578



Rail for armsupport:  
For table length 165cm, item number 20-60525  
For table length 200cm, item number 20-60526  
For table length 240cm, item number 20-60527



Arm support standard  
Item number 20-60520



Arm support, locable  
Item number 20-60516



## 14. Complaints

We refer to our general Terms of sale and delivery on our homepage [www.ropox.com](http://www.ropox.com)

### **ROPOX A/S**

Ringstedgade 221  
DK – 4700 Næstved  
Tel.: +45 55 75 05 00  
E-mail: [info@ropox.dk](mailto:info@ropox.dk)  
[www.ropox.dk](http://www.ropox.dk)