



# Ropox ErgoMultitable

Mounting Instructions

User Manual

**Keep this manual with the product at all times**

## Contents

1. Technical data.....	3
2. Introduction.....	4
3. Conformity with EU Directive and UK Directive .....	4
4. Application.....	4
5. List of components .....	5
6. Mounting instructions .....	7
7. Mounting of boomerang system .....	9
8. Height adjustment of table.....	9
9. Performance test.....	10
10. Safety in use.....	10
11. Cleaning/ maintenance.....	11
11.1 Cleaning of frame .....	11
11.2 Cleaning of tabletop, laminate.....	11
11.3 Maintenance .....	11
12. Fault finding.....	12
12.1 The table seems loose or unstable.....	12
12.2 The height/tilting cannot be adjusted (adjustment is very difficult) .....	12
13. Complaint .....	13

## 1. Technical data

<b>Product name:</b>	<b>Ropox ErgoMultitable</b> Tabletop sizes: 90x70 cm
<b>Item numbers:</b>	20-70410
<b>Height adjustment:</b>	56–90 cm (manual) incl. tabletop and brake wheels
<b>Material:</b>	Steel 37 Various plastic components
<b>Table top:</b>	Laminate
<b>Surface treatment:</b>	Powder coating Chromate
<b>Max. load on frame (static):</b>	100 kg evenly distributed over the tabletop
<b>Max. lifting power during height adjustment (dynamic):</b>	50 kg
<b>Max. load on tilted tabletop (static):</b>	20 kg
<b>Complaint:</b>	See Complaint
<b>Manufacturer</b>	Ropox A/S, DK-4700 Næstved, Tel.: +45 55 75 05 00 e-mail: <a href="mailto:info@ropox.dk">info@ropox.dk</a> , <a href="http://www.ropox.dk">www.ropox.dk</a>

## 2. Introduction

ErgoMultitable is the name of the new height-adjustable table from Ropox.



This manual must ALWAYS accompany the product, be read by and available to the user.

Correct use, operation and inspection are decisive factors for efficient and safe performance.



This product is height-adjustable and there is therefore a crushing hazard. The height adjustment must be carried out by or under the supervision of an adult, who has read and understood the importance of the Section: "Safety in use"

When operating the tilting facility (lowering the table top) there is a risk of being caught between table top and frame. It is therefore important to make sure that there are no parts of the body or objects between table top and frame.

## 3. Conformity with EU Directive and UK Directive

This product has CE marking and is thus in accordance with the basic requirements concerning functionality and safety of the current EU Directive. See separate CE declaration.

This product has UKCA-marking according to the current Directives and thus complies with the basic safety requirements.

## 4. Application

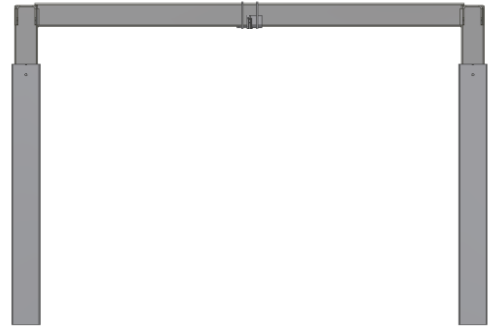
ErgoMultitable is designed with a view to obtaining optimum working height for the user. It is an activity table and must not be used as a lifting table or person lifter.

The table is intended for indoor use under normal room temperatures and humidity.

## 5. List of components

Leg section \_\_\_\_\_ 1 (one)

Item number 90cm: 20\*70000-032



Foot \_\_\_\_\_ 2 (two)

Mounted with breakwheels

Item number: 20\*70000-026



Tabletop \_\_\_\_\_ 1 (one)

Provided with brackets and thumb screws

Item number: 60102392



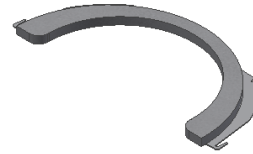
Bolt M6x25 95060625: \_\_\_\_\_ 8 (eight)



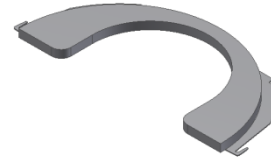
Nut M6 95180006: 6 (six)



Boomerang R=20cm 60101184: 1 stk.



Boomerang R=15cm 60101186: 1 stk.



Boomerang without cut-out 60101591: 1 stk



Handle 20-60320-297: 1 (one)

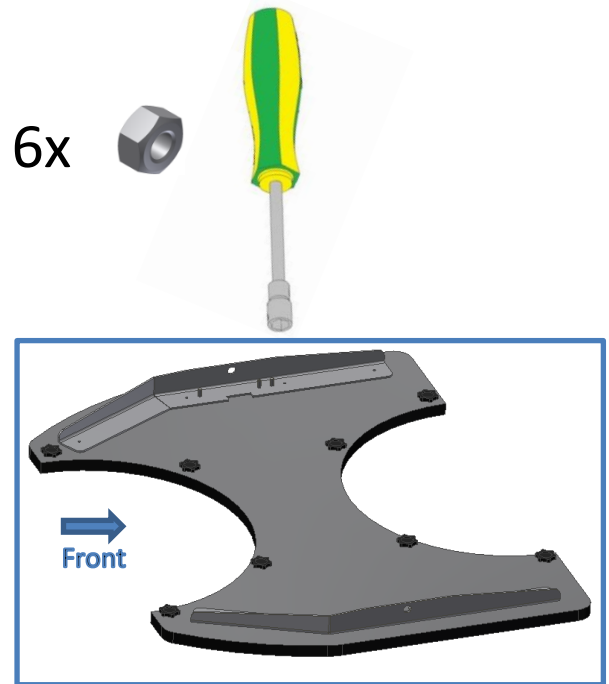
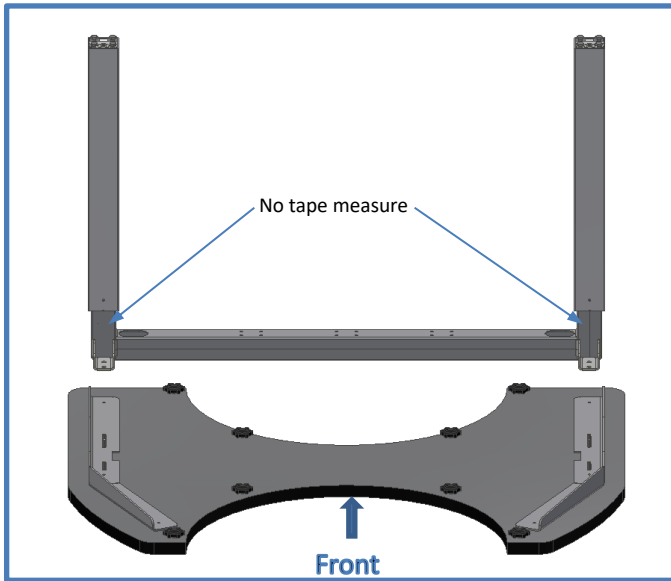


Top screw driver 95000051 1 (one)



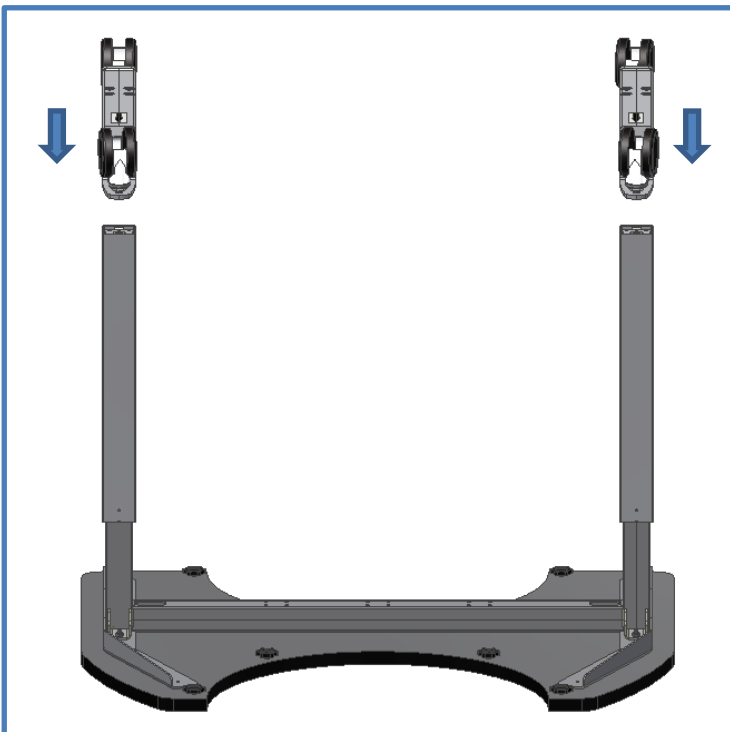
## 6. Mounting instructions

### 1. Mounting of tabletop



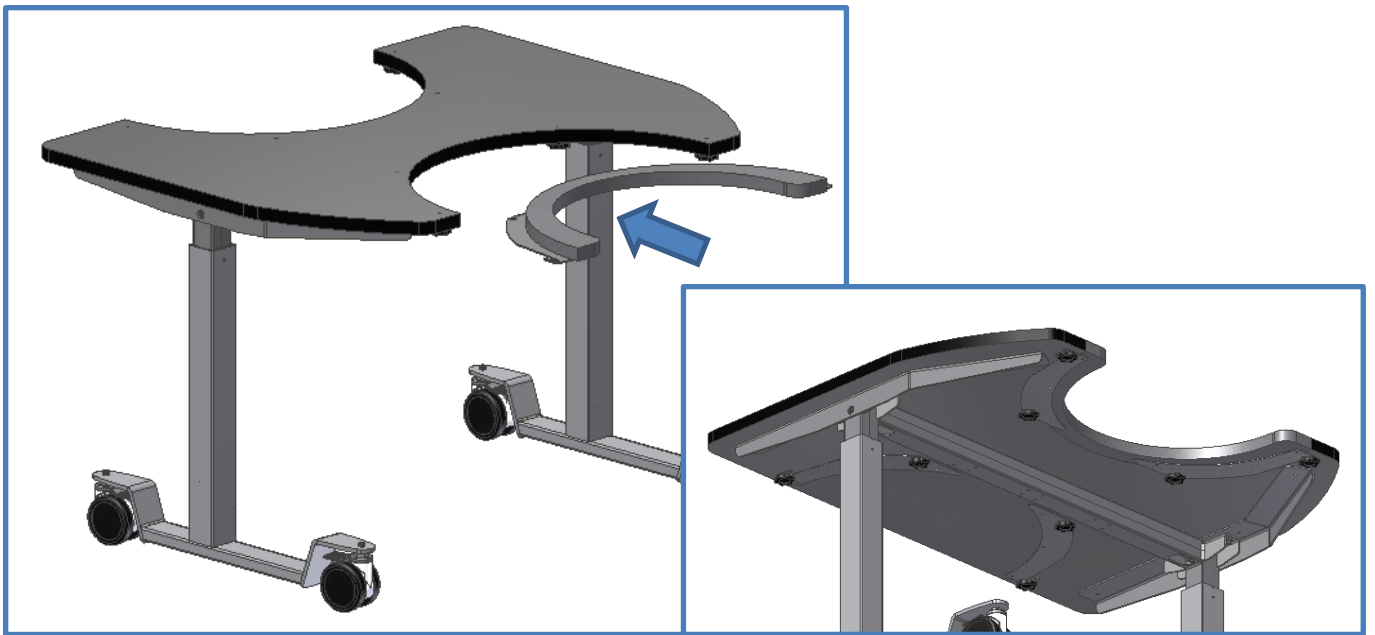
Note measuring tape is placed against the back edge.

### 2. Mounting of feet



Arrows at the feet must point towards the front of the table.

## 7. Mounting of boomerang system



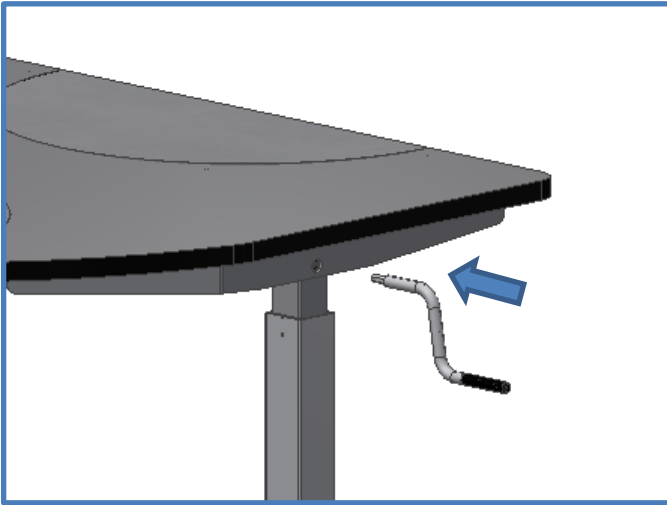
Push boomerang into cut-out section of tabletop. Tighten all 4 thumb screws which are in the tabletop.



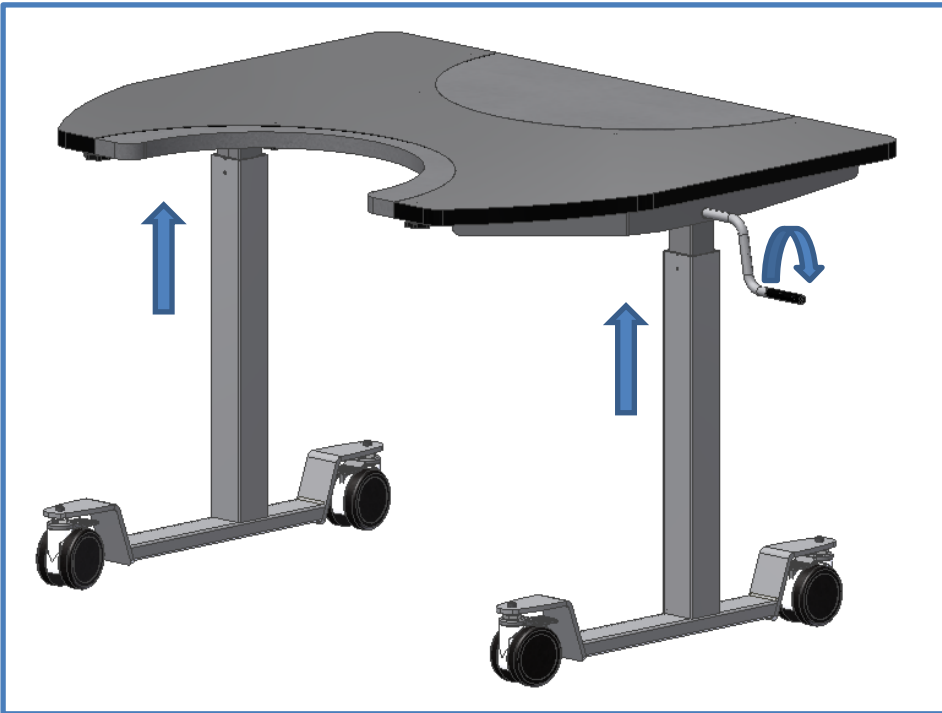


## 8. Height adjustment of table

### 1. Mounting of handle



The height is adjusted by turning the handle on the side of the table manually. When turning handle clockwise, on the right side of the table, the table will move upward.



## 9. Performance test

After completed installation and before use, all functions of the table must be tested. After that, a performance test must be carried out at least once a year by competent personnel.

1. Check that the mounting instructions have been observed.
2. Check that all bolts have been tightened.
3. Make sure that there is no load on the table.
4. Make sure that there are no objects or the like preventing the table from moving unhindered within the range of height adjustment.
5. Place the hand crank as illustrated in the manual and adjust the table to bottom position. Check that the movement is even and smooth.
6. Now adjust the table to top position and check that the movement is even and smooth.

When these tests have been carried out successfully, the table is ready for use.  
See "Safety in use", Section 10.

## 10. Safety in use

- ErgoMultitable must only be used by persons, who have read and understood these instructions.
- ErgoMultitable is an activity table and must not be used as a lifting table or person lifter.
- Always verify that the inserts for the table are mounted correctly and securely before using the product.
- If the table has caster wheels, it is recommended to always have the casters locked whenever the table is not being moved. This is to avoid any risk associated with unintentional movement of the table.
- Always use the table in a manner excluding the risk of damage to persons or property. The person operating the table is responsible for avoiding damage or injury.
- Make sure that there is free space above and below the table to allow height adjustment.
- Do not operate the table in case of defects or damage.
- Do not overload the table and ensure that the load distribution is correct.
- During inspections, service or repairs any load must be removed from the table.
- Modifications, which may influence the performance or design of the table, are not allowed.
- Assembly, service and repairs must be carried out by competent personnel.
- If the table has not been assembled according to these mounting instructions, the guarantee may become void.
- Only use Ropox original spare parts for replacement. If other spare parts are used, the guarantee may become void.

## 11. Cleaning/ maintenance

### 11.1 Cleaning of frame

Dry the frame with a wrung cloth with lukewarm water and a mild detergent. Do not use Enchants or abrasives or grinding cloths, brushes or sponges.

After cleaning, dry the frame.

### 11.2 Cleaning of tabletop, laminate

Clean the laminate tabletop with a soft cloth wrung in hot water with a liquid detergent, which is not sulfonated, as this will result in a greasy surface. Stains that cannot be removed with water may often be removed with equal parts chlorine and water or with acetone. When using these materials, be aware of airing of the room and make sure that the frame does not get in touch with these cleaning materials.

Stains from felt-tip pens may be removed by means of ordinary denatured alcohol. Pencil strokes should be removed with a piece of eraser. Certain chemicals, ink and strongly coloured fruit juices may – if they are left on the table top for a longer period – result in discoloration as the colour pigments stick to the surface.

Never use steel wool, scouring powder or cleaning materials, which leave a film on the surface, e.g. yellow soap.

After cleaning, it is recommendable to wash the surface with a cloth wrung in clean water and dry with a soft cloth.

### 11.3 Maintenance



Inspections, service and repairs must be carried out by competent personnel

The frame is maintenance-free and moving parts have been lubricated for life. For reasons of safety and reliability, we recommend inspection of the frame once a year:

- Check that all bolts have been securely fastened.
- Check that the table moves from bottom to top position without problems.

Only use Ropox original spare parts for replacement. If other spare parts are used, the guarantee may become void.

## **12. Fault finding**

### **12.1 The table seems loose or unstable**

- The assembly screws have not been securely tightened.
- Retighten all screws, cf. mounting instructions.

### **12.2 The height/tilting cannot be adjusted (adjustment is very difficult)**

- Check that there is no load on the table.
- Check the table for physical overloading or damage.

### **13. Complaint**

See General Terms of Sale and Delivery on [www.ropox.dk](http://www.ropox.dk)

## **ROPOX A/S**

Ringstedgade 221  
DK – 4700 Næstved  
Tel.: +45 55 75 05 00  
E-mail: [info@ropox.dk](mailto:info@ropox.dk)  
[www.ropox.dk](http://www.ropox.dk)