

Ropox Ergo Desk Table

Mounting Instructions

User Manual

Keep this manual with the product at all times

Contents

1. Technical data.....	3
2. Introduction	4
3. Conformity with EU Directives and UK Directives	5
4. Application	5
5. List of components	6
6. Mounting instructions	8
7. Safety in use.....	13
8.1 Cleaning of frame	14
8.2 Cleaning of tabletop, laminate.....	14
8.3 Maintenance	15
9. Fault finding	15
9.1 The table seems loose or unstable.....	15
9.2 The frame cannot be adjusted in height (adjustment very difficult)	15
9.3 The frame does not move straight.....	15
10. Complaints	16

1. Technical data

Product name:	Ropxo Ergo Desk Table
Item numbers:	160x80cm: 20-34200 180x90cm: 20-34201 200x90cm: 20-34202
Height adjustment:	60–125cm elektric incl. tabletop
Material:	Steel 37 Various plastic components
Table top:	Laminate
Surface treatment:	Powder coating Chromate
Max. Load:	130 kg evenly distributed over the tabletop
Complaints:	See Complaint
Manufacturer:	Ropox A/S, DK-4700 Næstved, Tlf.: +45 55 75 05 00 E-mail: info@ropox.dk , www.ropox.dk

2. Introduction

The Ergo Desk Table is a multi-function table, which may be electrically adjusted to suit seated or standing activities. The unique design offers a variety of applications and makes the table ideal for wheelchair users.



This document must ALWAYS accompany the product and must be read by and available to the user.

All users must follow these instructions. It is very important that the instructions have been read and understood prior to operation of the product.

These instructions must always be available to the user and must accompany the product in case of relocation.

Correct use, operation and inspection are decisive factors for efficient and safe performance.

This product is electrically adjustable, which means that there is a risk of getting trapped. The operation must therefore be made or supervised by an adult, who has read and understood the importance of section 6 "Safety in use".



This product is electrically adjustable, which means that there is a risk of getting trapped. The operation must therefore be made or supervised by an adult, who has read and understood the importance of section "Safety in use".

3. Conformity with EU Directives and UK Directives

This product has CE Marking and meets the basic safety requirements of the current Machinery and RoHS directive.

If this table frame is assembled with or is an integral part of other electrical components it will be considered a new unit. Therefore the assembled product must be subjected to a risk assessment to obtain CE Marking.

This product has UKCA-marking according to the current Directives and thus complies with the basic safety requirements.

4. Application

The Ergo Desk Table is designed to obtain optimum working height for the user. It is an activity table and should not be used as a lifting table or person lifter.

The product is intended for indoor use under normal temperature and humidity conditions as stated in section 4.

The Ergo Desk Table is not designed for use in damp rooms.



The control unit has IP32/II protection and must always be installed in accordance with the Danish Heavy Current Regulations or corresponding national or international standards.

5. List of components

Left frame *14307050-20 1 pc.

Right frame *14307050-30 1 pc.

Foot 20*60800-109 2 pcs.
Provided with adjustment screws

Tabletop 1 pc.

Item number:

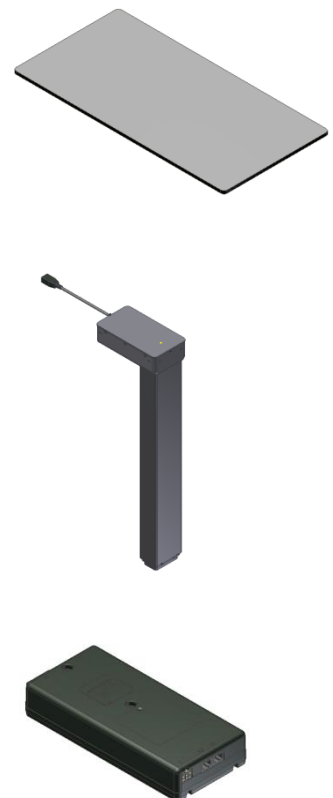
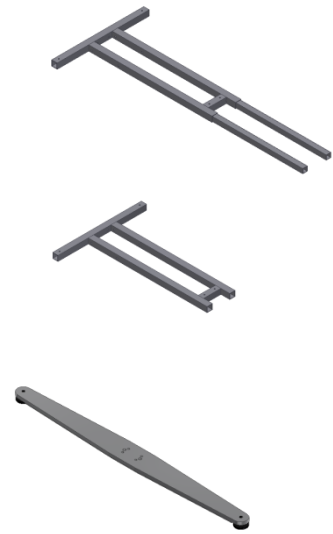
160x80cm: 60102394

180x90cm: 60102395

200x90cm: 60102396

Legs 93000175: 2 pcs.

Controlbox 93000179: 1 pc.



Control switch 93000039: _____ 1 pc.



Screw M6x25 95010632: _____ 8 pcs.



Screw M6x40 95010642: _____ 12 pcs.



Chipboard screw 5x45 95125045: _____ 8 pcs.



Strips 3,5/140mm 96000165: _____ 3 pcs.



Adhesive plate 96000173: _____ 3 pcs.

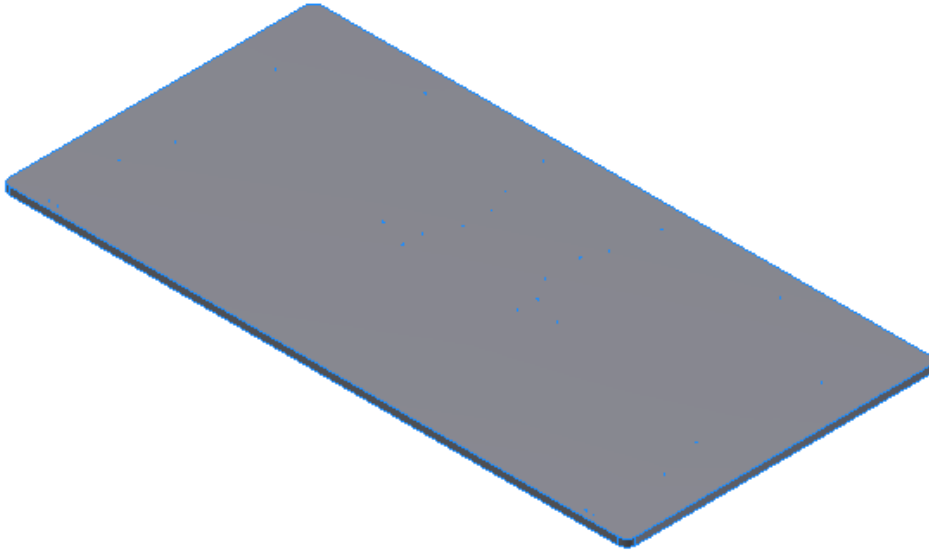


Chipboard screw 4x17 20*60320-392: _____ 6 pcs.

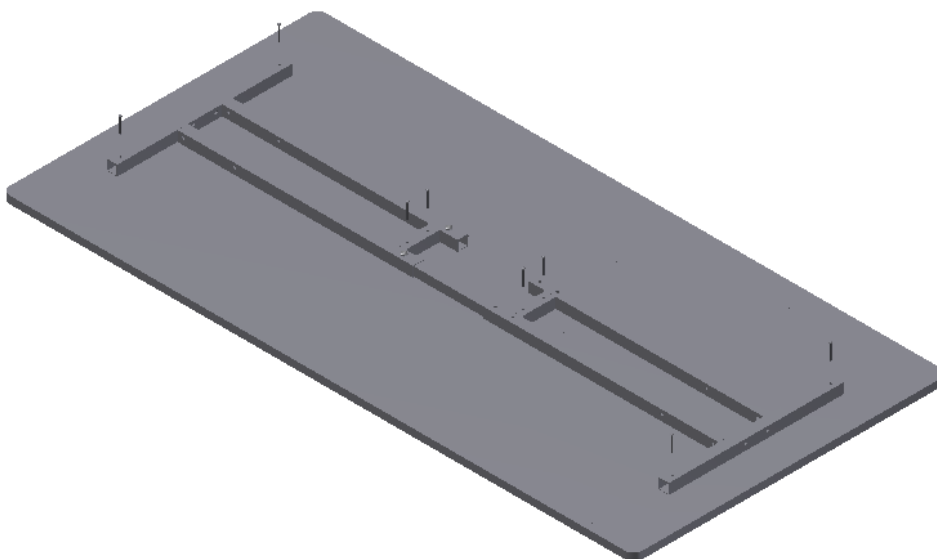


6. Mounting instructions

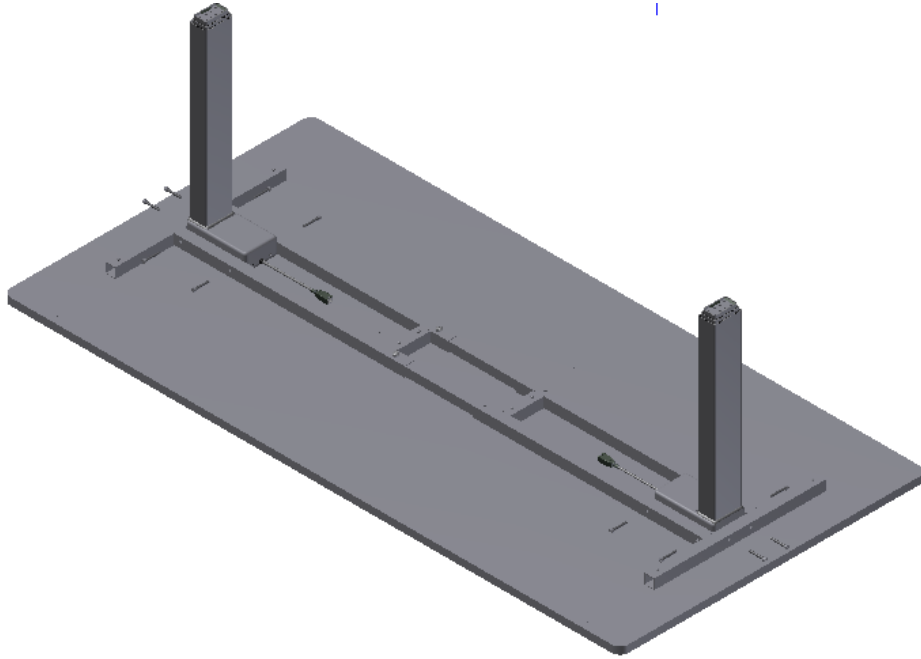
6.1. Place the tabletop on a plane surface with the top side pointing downwards, preferably on a carpet, blanket or similar surface to avoid scratches in the tabletop.



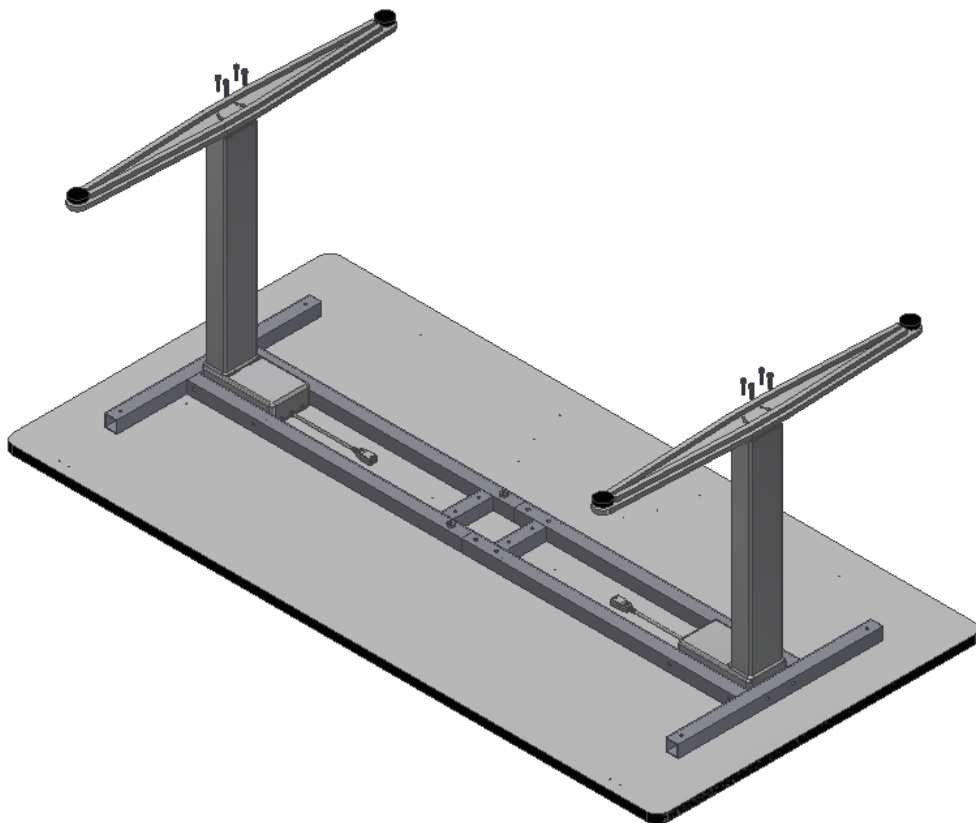
6.2. Place the frame on the tabletop. Loosen the two pivot screws and move the frame so that it fits the predrilled holes. Do not forget to tighten the frame after fastening to the tabletop. Fasten the frame with 8 screws.



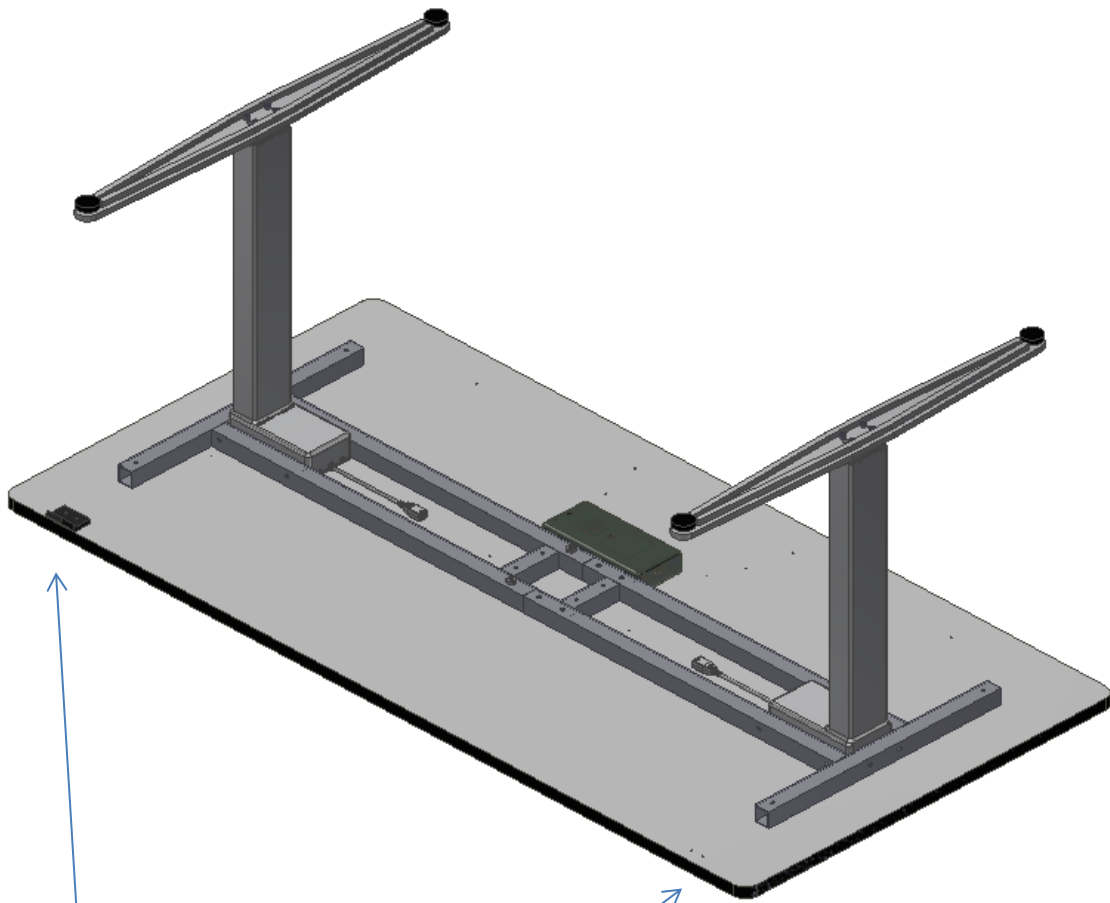
6.3. Place the legs in the frame and fasten them with 12 M6x40 bolts.



6.4. Mount the feet and fasten them with 8 M6x25 bolts.

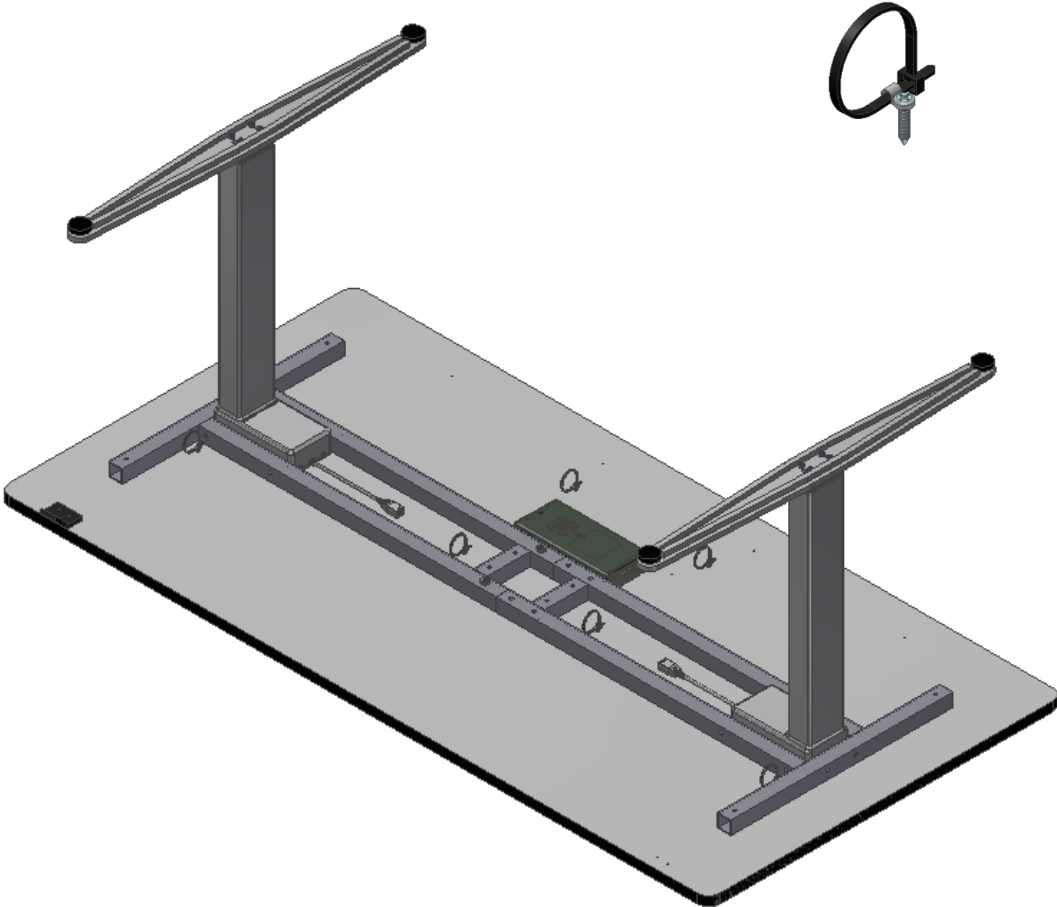


6.5. Place the control unit and hand control switch on the predrilled holes and fasten them with chipboard screws 4x17mm. NOTE: The hand control switch may be located at either end of the table, as appropriate.



Hand control switch may be located at either end

6.6. Fit cable clips in the predrilled holes.



6.7. Mount cables according to the diagram below and fasten them under the table by means of the cable clips.

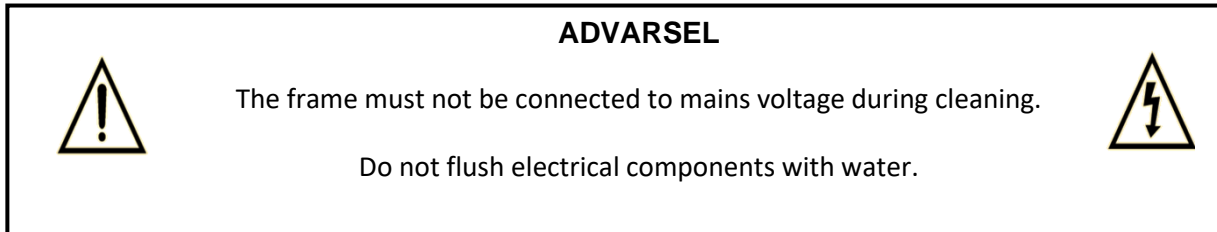


7. Safety in use

- The Ergo Desk Table should only be used by persons, who have read and understood these instructions.
- The Ergo Desk Table is an activity table and should not be used as a lifting table or person lifter.
- If the table has caster wheels, it is recommended to always have the casters locked whenever the table is not being moved. This is to avoid any risk associated with unintentional movement of the table.
- Always use the table in a manner excluding the risk of damage to persons or property. The person operating the table is responsible for avoiding damage or injury.
- Children or persons with reduced observation capacity should only operate the table when supervised.
- If the table is used in publicly accessible locations when children or persons with reduced observation capacity may get near the table, the person operating the table must pay attention to those present in order to prevent dangerous situations.
- Make sure that there is free space above and below the table to allow height adjustment.
- Do not operate the table in case of defects or damage.
- Do not overload the table and make sure that the load distribution is correct.
- Do not use the table in an explosive environment.
- In connection with inspections, service or repairs always remove loads from the table.
- Modifications, which may influence the operation or design of the table, are not allowed.
- Installation, service and repairs must be carried out by competent personnel.
- If the table has not been assembled according to these instructions the right to complain may become void.
- Only use Ropox original spare parts for replacement. If other spare parts are used, the right to complain may become void.

8. Cleaning/ maintenance

8.1 Cleaning of frame



Clean the frame with a wrung cloth with lukewarm water and a mild detergent. Do not use enchants or abrasives or grinding cloths, brushes or sponges.

After cleaning dry the frame.

8.2 Cleaning of tabletop, laminate

Clean the laminate tabletop with a soft cloth wrung in hot water with a liquid detergent, which is not sulfonated, as this will result in a greasy surface. Stains that cannot be removed with water may often be removed with equal parts chlorine and water or with acetone. When using these materials, be aware of airing of the room and make sure that the frame does not get in touch with these cleaning materials.

Stains from felt-tip pens may be removed by means of ordinary denatured alcohol. Pencil strokes should be removed with a piece of eraser. Certain chemicals, ink and strongly coloured fruit juices may – if they are left on the table top for a longer period – result in discoloration as the colour pigments stick to the surface.

Never use steel wool, scouring powder or cleaning materials, which leave a film on the surface, e.g. yellow soap.

After cleaning, it is recommendable to wash the surface with a cloth wrung in clean water and dry with a soft cloth.

8.3 Maintenance



Inspections, service and repairs must be carried out by competent personnel



After power failures always reset the table before use.

The frame is maintenance-free. Moving parts have been lubricated for life. For reasons of safety and reliability we recommend inspection of the frame once a year:

- Check that all bolts have been securely tightened.
- Check that the table moves freely and without problems from bottom to top position.
- **Resetting the frame:** Press the DOWN button and adjust the frame to bottom position. Press the DOWN button once more and keep it depressed for 5 sec. to reset the controlbox. Check that the movement is smooth and even. Make sure that the mains cable moves freely.
- Check that all cables have been mounted correctly and are undamaged..

Only use Ropox original spare parts for replacement. If other spare parts are used, the right to complain may become void.

9. Fault finding

9.1 The table seems loose or unstable

- The assembly screws have not been securely tightened.
- Retighten all screws, cf. mounting instructions.

9.2 The frame cannot be adjusted in height (adjustment very difficult)

- Check mains voltage to controlbox and that the power has been switched on..
- Check cables and plug-in connections between controlbox and motor.
- Check cable and plug-in connection between controlbox and hand control switch..

9.3 The frame does not move straight

- If the frame does not move straight it must be reset. See Maintenance 8.3 "Resetting".

10. Complaints

See General Terms of Sale and Delivery on www.ropox.dk



ROPOX A/S

Ringstedgade 221

DK – 4700 Næstved

Tel.: +45 55 75 05 00

E-mail: info@ropox.dk

www.ropox.dk