

Ropox ErgoTable

Mounting Instructions

User Manual

Keep this manual with the product at all times

Contents

1. Technical data.....	3
2. Introduction.....	4
3. Conformity with EU Directive.....	4
4. Application.....	4
5. Models.....	5
6. List of components.....	6
7. Mounting instructions.....	8
7.1 Table A (without tiltable table top).....	8
7.2 Table B (with tiltable table top).....	9
8. Height adjustment of table.....	29
9. Operation of tilting facility.....	12
10. Performance test.....	13
11. Safety in use.....	13
12. Cleaning/ maintenance.....	14
12.1 Cleaning of frame.....	14
12.2 Cleaning of tabletop, laminate.....	14
12.3 Maintenance.....	14
13. Fault finding.....	15
13.1 The table seems loose or unstable.....	15
13.2 The height/tilting cannot be adjusted (adjustment is very difficult).....	15
14. Accessories.....	16
15. Complaint.....	18

1. Technical data

Product name:	Ropox ErgoTable Tabletop sizes: 90x60 cm and 120x60 cm
Item numbers:	Type A 90x60: 20-70010 Type B 90x60: 20-70011 Type C 90x60: 20-70012 Type D 90x60: 20-70013 Type A 120x60: 20-70210 Type B 120x60: 20-70211 Type C 120x60: 20-70212 Type D 120x60: 20-70213
Height adjustment:	56–90 cm (manual) incl. tabletop
Material:	Steel 37 Various plastic components
Table top:	Laminate
Surface treatment:	Powder coating Chromate
Max. load on frame (static):	100 kg evenly distributed over the table top
Max. lifting power during height adjustment (dynamic):	50 kg
Max. load on tilted tabletop (static):	20 kg
Complaint:	See Complaint
Manufacturer	Ropox A/S, DK-4700 Næstved, Tel.: +45 55 75 05 00 e-mail: info@ropox.dk , www.ropox.dk

2. Introduction

ErgoTable is the name of the new height-adjustable table program from Ropox.

The ErgoTable and accessories are ideal for a variety of activities.

The ErgoTable has a functional design developed for people moving around with or without assistive devices, for bookworms, computer freaks or playing children.



This manual must ALWAYS accompany the product, be read by and available to the user.

Correct use, operation and inspection are decisive factors for efficient and safe performance.



This product is height-adjustable and there is therefore a crushing hazard. The height adjustment must be carried out by or under the supervision of an adult, who has read and understood the importance of the Section: "Safety in use"

When operating the tilting facility (lowering the table top) there is a risk of being caught between table top and frame. It is therefore important to make sure that there are no parts of the body or objects between table top and frame.

3. Conformity with EU Directive and UK Directive

This product has CE marking and is thus in accordance with the basic requirements concerning functionality and safety of the current EU Directive. See separate CE declaration.

This product has UKCA marking. See separate Declaration of Conformity.

4. Application

The ErgoTable is designed with a view to obtaining optimum working height for the user. It is an activity table and must not be used as a lifting table or person lifter.

The table is intended for indoor use under normal room temperatures and humidity.

5. Models

Model name	Description	Size	Item number
ErgoTable A	Without tilting of tabletop	90x60cm	20-70010-1
ErgoTable B	Without tilting of tabletop	120x60cm	20-70210-1



Model name	Description	Size	Item number
ErgoTable B	With tilt, entire table top	90x60cm	20-70011-1
ErgoTable B	With tilt, entire table top	120x60cm	20-70211-1



Model name	Description	Size	Item number
ErgoTable C	With tilt, right side of table top	90x60cm Non-adjustable: 30cm Adjustable plate: 59,4cm	20-70012-1
ErgoTable C	With tilt, right side of table top	120x60cm Non-adjustable plate: 30cm Adjustable plate: 89,4cm	20-70212-1



Model name	Description	Size	Item number
ErgoTable D	With tilt, left side of table top	90x60cm Non-adjustable: 30cm Adjustable plate: 59,4cm	20-70013-1
ErgoTable D	With tilt, left side of table top	120x60cm Non-adjustable plate: 30cm Adjustable plate: 89,4cm	20-70213-1

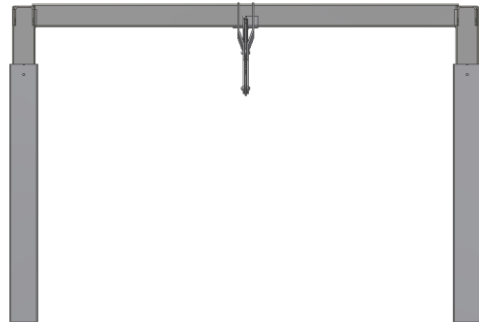


6. List of components

Leg section 1 (one)
Fitting for tilting of table top only on B + C +D tables

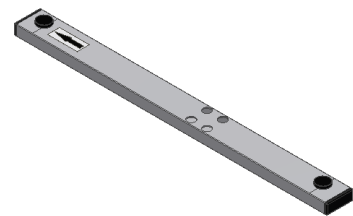
Item number 90cm: 20*70000-032

Item number 120cm: 20*70000-033



Foot 2 (two)
Provided with end plugs and adjustment screws

Item number: 20*70000-063



Tabletop 1 (one)
Provided with brackets

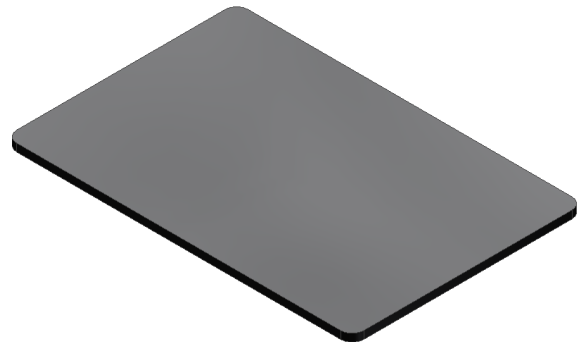
Item number:

A + B 90x60cm: 60102285

C + D 90x60cm: 60102390

A + B 120x60cm: 60102284

C + D 120x60cm: 60102391



Bolt M6x25 95060625: _____ 8 (eight)



Nut M6 95180006: _____ 6 (six)



Handle 20-60320-297: _____ 1 (one)



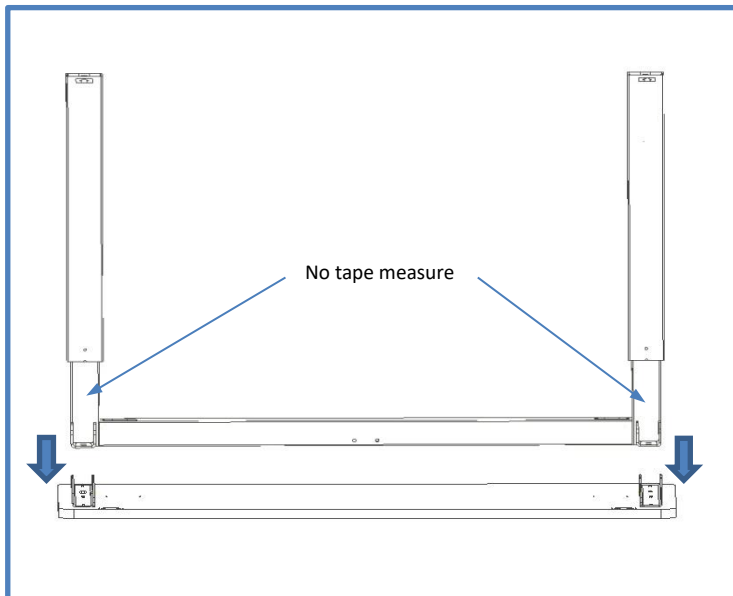
Top screw driver 95000051 _____ 1 (one)



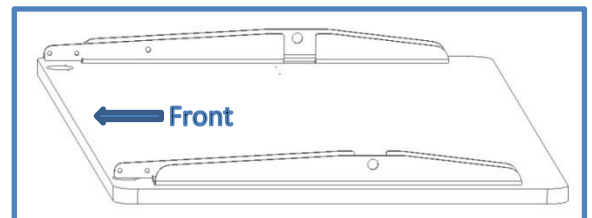
7. Mounting instructions

7.1 Table A (without tiltable table top)

1. Mounting of table top



6 X 

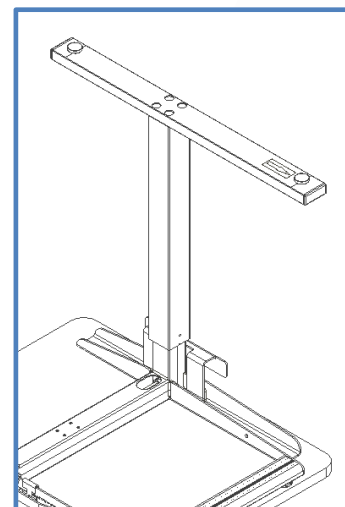


Note measuring tape is placed against the back edge.

2. Mounting of feet



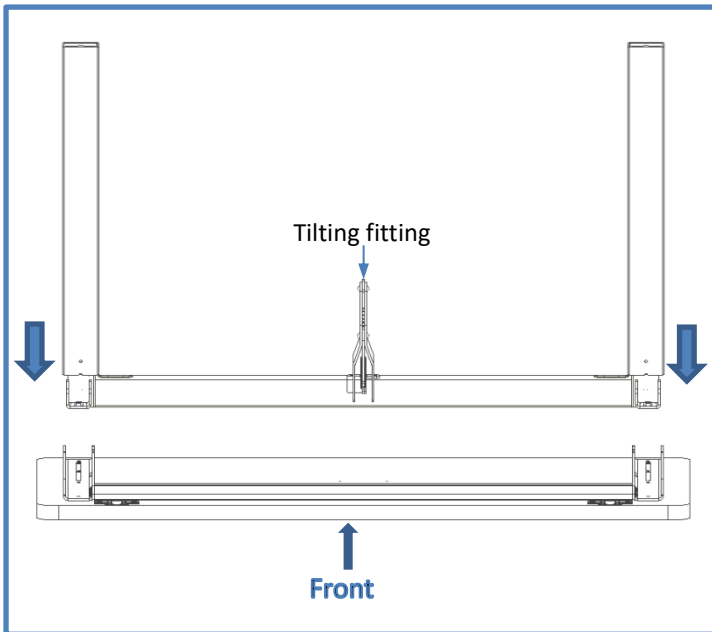
8 X 



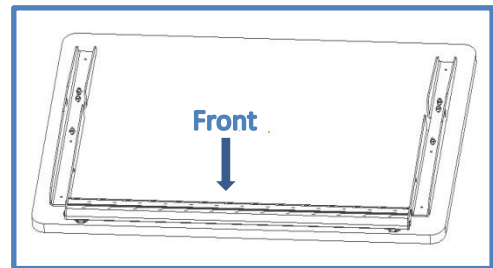
Arrows at the feet must point towards the front of the table.

7.2 Table B (with tiltable table top)

1. Mounting of table top

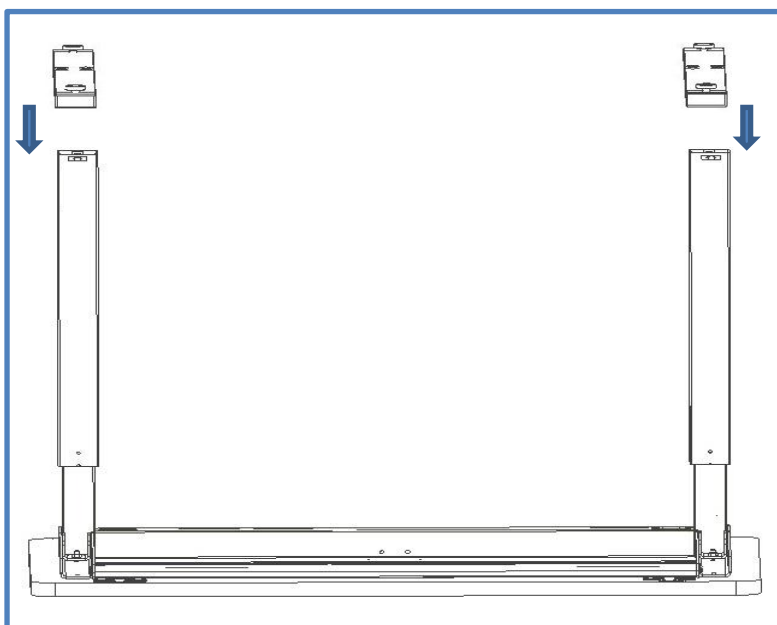


6 X 

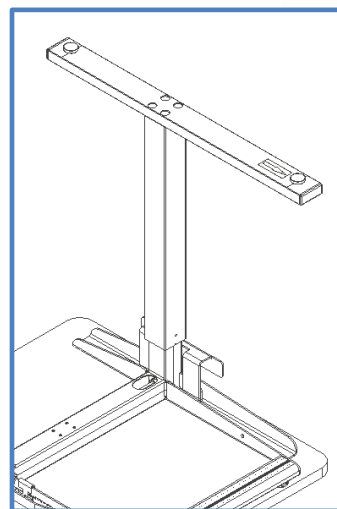


The tilting fitting on leg section must point towards the front of the table top

2. Mounting of feet



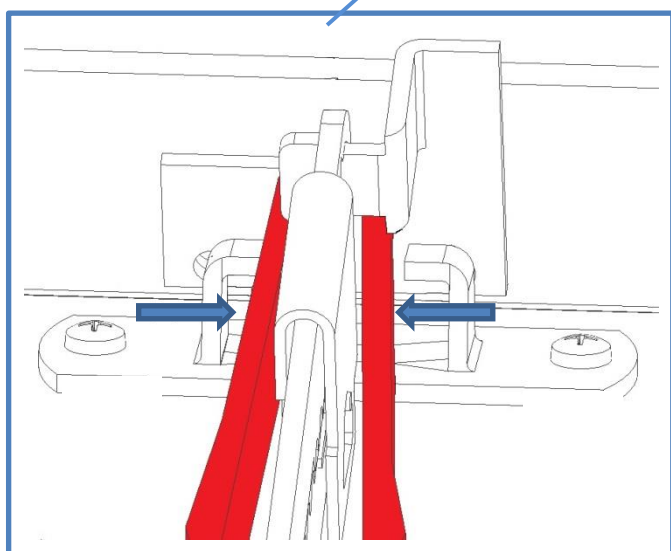
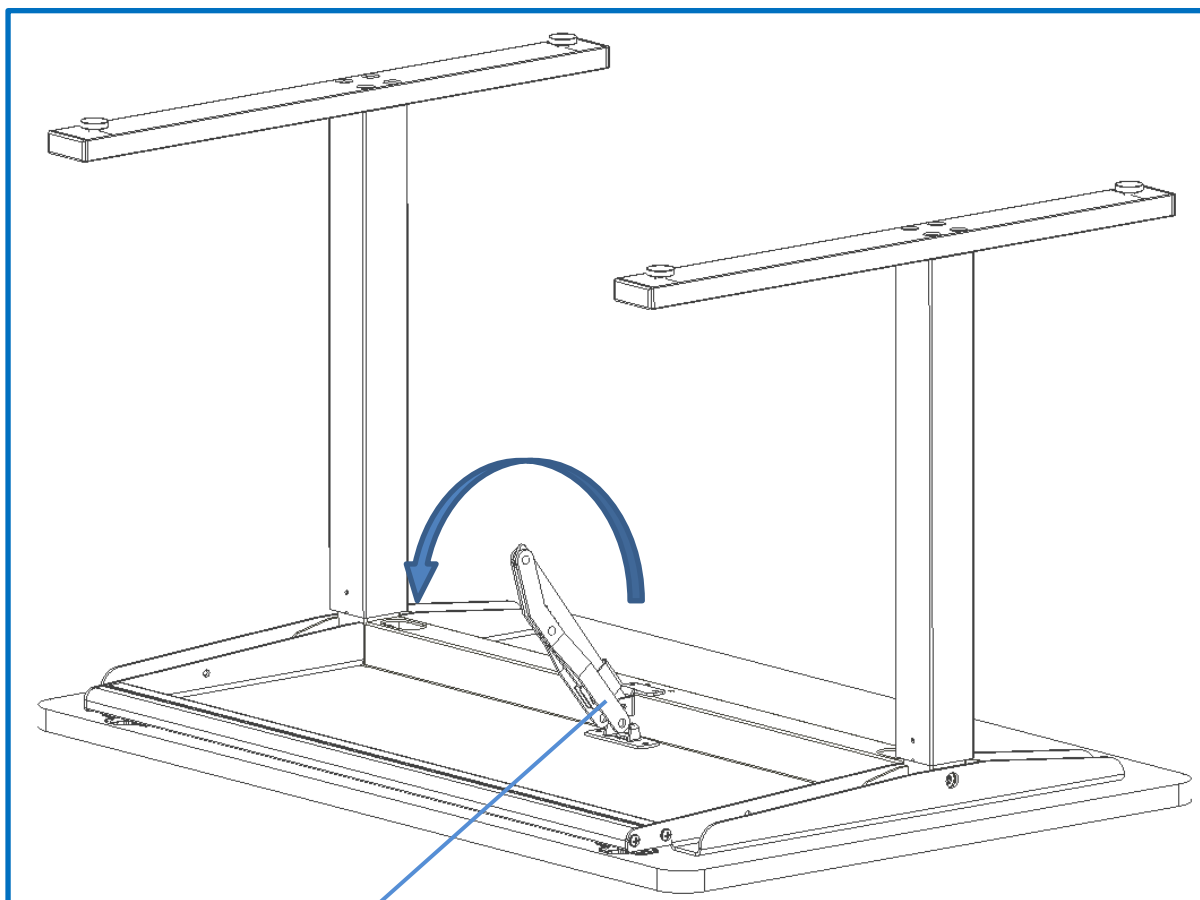
8 X 



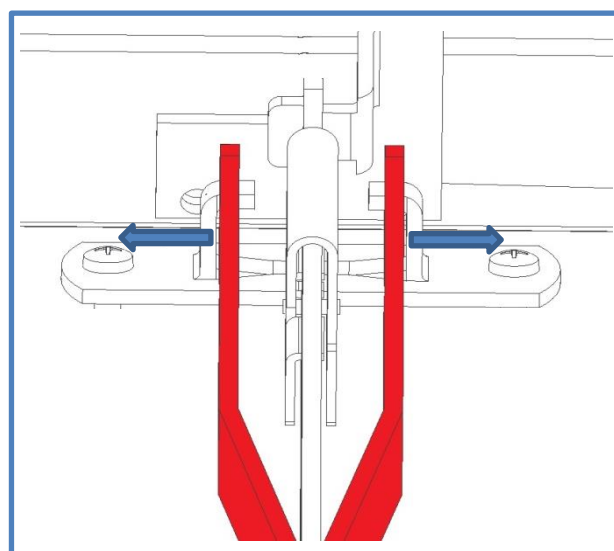
Arrows at the feet must point towards the front of the table.

3. Mounting of tilting fitting of tabletop

(The illustration shows a 90x60cm table. For a 120x60 table two fittings are used)



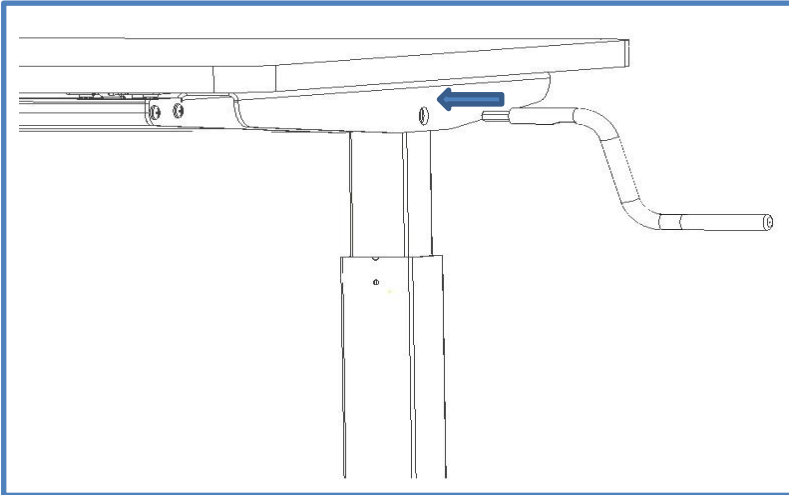
Squeeze the arms of the tilting fitting together. Guide the arms between the wings of the fitting mounted on the tabletop.



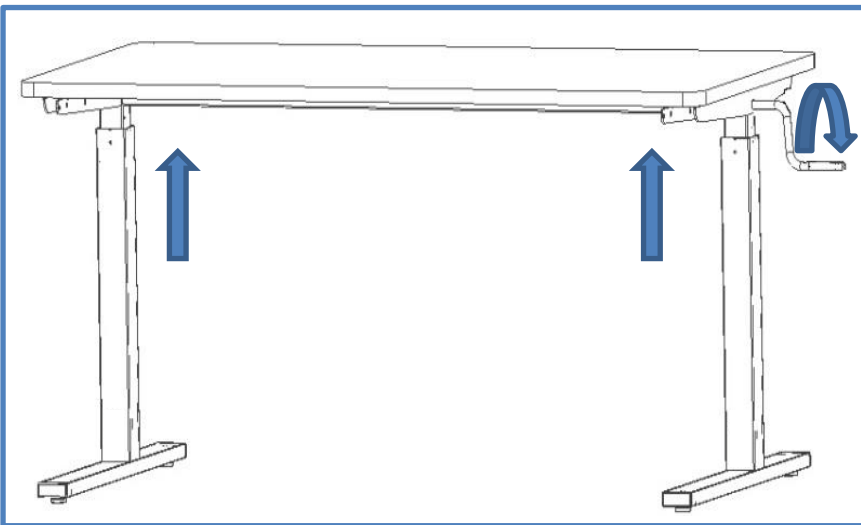
A click is heard when the holes of the arms catch the wings of the fitting.

8. Height adjustment of table

1. Mounting of handle



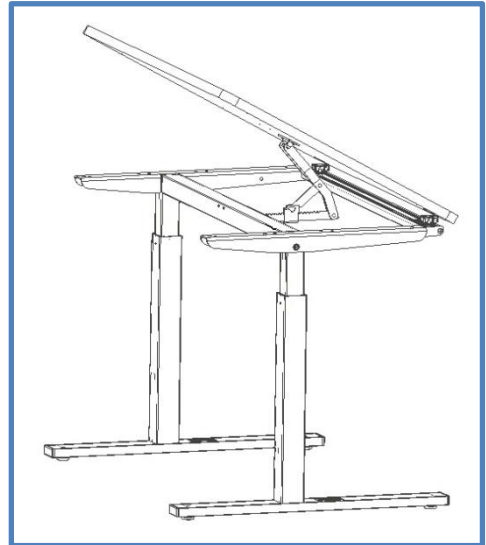
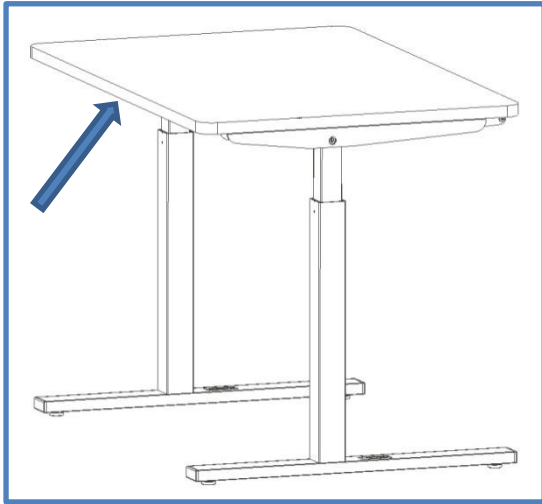
The height is adjusted by turning the handle on the side of the table manually. When turning the handle clockwise, on the right side of the table, the table will move upward.



9. Operation of tilting facility

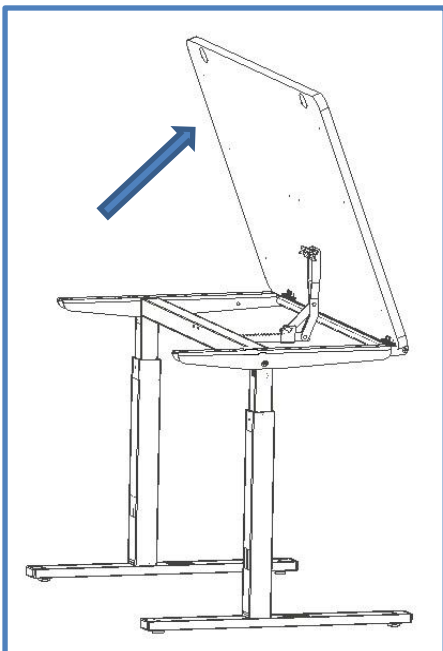
1. Tilting of tabletop

Lift up with your hand the back of the tabletop until obtaining the desired angle.



2. Lowering of tabletop

Raise the tabletop to highest vertical position. Only now, the tabletop can be lowered to horizontal position.



Warning!!

When the tabletop is in the highest vertical position, do not let go of it, as it will fall down with a bang. Instead, carefully lower the tabletop to horizontal position.

10. Performance test

After completed installation and before use, all functions of the table must be tested. After that, a performance test must be carried out at least once a year by competent personnel.

1. Check that the mounting instructions have been observed.
2. Check that all bolts have been tightened.
3. Make sure that there is no load on the table.
4. Make sure that there are no objects or the like preventing the table from moving unhindered within the range of height adjustment.
5. Place the hand crank as illustrated in the manual and adjust the table to bottom position. Check that the movement is even and smooth.
6. Now adjust the table to top position and check that the movement is even and smooth.

When these tests have been carried out successfully, the table is ready for use.
See "Safety in use".

11. Safety in use

- The ErgoTable must only be used by persons, who have read and understood these instructions.
- The ErgoTable is an activity table and must not be used as a lifting table or person lifter.
- Always use the table in a manner excluding the risk of damage to persons or property. The person operating the table is responsible for avoiding damage or injury.
- Make sure that there is free space above and below the table to allow height adjustment.
- Do not operate the table in case of defects or damage.
- Do not overload the table and ensure that the load distribution is correct.
- During inspections, service or repairs any load must be removed from the table.
- Modifications, which may influence the performance or design of the table, are not allowed.
- Assembly, service and repairs must be carried out by competent personnel.
- If the table has not been assembled according to these mounting instructions, the guarantee may become void.
- Only use Ropox original spare parts for replacement. If other spare parts are used, the guarantee may become void.

12. Cleaning/ maintenance

12.1 Cleaning of frame

Dry the frame with a wrung cloth with lukewarm water and a mild detergent. Do not use Enchants or abrasives or grinding cloths, brushes or sponges.

After cleaning, dry the frame.

12.2 Cleaning of tabletop, laminate

Clean the laminate tabletop with a soft cloth wrung in hot water with a liquid detergent, which is not sulfonated, as this will result in a greasy surface. Stains that cannot be removed with water may often be removed with equal parts chlorine and water or with acetone. When using these materials, be aware of airing of the room and make sure that the frame does not get in touch with these cleaning materials.

Stains from felt-tip pens may be removed by means of ordinary denatured alcohol. Pencil strokes should be removed with a piece of eraser. Certain chemicals, ink and strongly coloured fruit juices may – if they are left on the table top for a longer period – result in discoloration as the colour pigments stick to the surface.

Never use steel wool, scouring powder or cleaning materials, which leave a film on the surface, e.g. yellow soap.

After cleaning, it is recommendable to wash the surface with a cloth wrung in clean water and dry with a soft cloth.

12.3 Maintenance



Inspections, service and repairs must be carried out by competent personnel

The frame is maintenance-free and moving parts have been lubricated for life. For reasons of safety and reliability, we recommend inspection of the frame once a year:

- Check that all bolts have been securely fastened.
- Check that the table moves from bottom to top position without problems.

Only use Ropox original spare parts for replacement. If other spare parts are used, the guarantee may become void.

13. Fault finding

13.1 The table seems loose or unstable

- The assembly screws have not been securely tightened.
- Retighten all screws, cf. mounting instructions.

13.2 The height/tilting cannot be adjusted (adjustment is very difficult)

- Check that there is no load on the table.
- Check the table for physical overloading or damage.

14. Accessories

Book rest incl. fitting:
Item No. 20-70504



Pencil holder incl. fitting:
Item No. 20-70506



Adapter 100mm for
adjustment between
66-100cm, 2pcs:
Item No. 20-70503



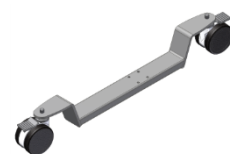
Castors, 4pcs, increase height 8cm:
Item No. 20-50340



Castors, 4pcs, increase height 9cm:
Item No. 20-50300



Castors on foot, 2pcs:
Item No. 20-70502



Profile for mounting of
arm support on A tables
For table size 90x60cm:
Item No. 20-70500



Profile for mounting of
arm support on A tables
For table size 120x60cm:
Item No. 20-70501



Arm support
incl. bag and hook:
Item No. 20-60520



Arm support, lock-type
incl. bag and hook:
Item No. 20-60517



Supporting ruler for tabletop B + C +D

90x60cm B
V-nr. 20-70509-1

90x60cm C + D
V-nr. 20-70513-1

120x60cm B
V-nr. 20-70510-1

120x60cm C + D
V-nr. 20-70514-1



15. Complaint

See General Terms of Sale and Delivery on www.ropox.dk

ROPOX A/S

Ringstedgade 221

DK – 4700 Næstved

Tel.: +45 55 75 05 00 Fax.: +45 55 75 05 50

E-mail: info@ropox.dk

www.ropox.dk