

ROPOX™

BETTER WAYS TO BETTER DAYS

- A PART OF AddLife®



Ropox Toilet Support Arms




User manual

This manual should always be in close proximity of the product


Table of content

1. Symbols used in this manual	3
2. General safety	3
2.1 Product Unit label	5
3. General requirements	6
3.1 Product information	6
3.2 Product description	6
3.3 Intended purpose	6
3.4 Intended operator	7
3.5 Clinical functions	7
3.6 Product dimensions.....	7
4. Instructions for use	10
4.1 Installation interfaces	10
4.2 Installation of product	11
4.3 Operating the product	11
4.4 Safety in use.....	12
5. Cleaning	12
5.1 Preapproved disinfection products.....	12
6. Maintenance	12
7. Component part list	13
8. Environmental protection	13
9. Accident reporting	14

1. Symbols used in this manual

Warning Symbol Indication of potentially hazardous situation. If not avoided, it can result in serious injury or death.	
Caution Symbol Indication of potentially hazardous situation which may result in minor or moderate injury. It may also be used to alert against unsafe practices.	
Notification Symbol This symbol is used to notify correct use and handling of the product.	

2. General safety

	<p>This manual must be read and understood before use. Always keep this manual in close proximity of the product.</p> <p>The use, installation and service of this product must be in compliance with this manual to avoid accidents and serious personal injury.</p> <p>Never use or handle this product in other ways specified in this manual as it can result in personal safety hazards and/or cause damage to the product.</p> <p>Persons installing and/or using this product either as operator or user should have the necessary safety information and access to this manual.</p>
--	---



Do not perform repairs, disassembly or assembly operations, add-ons, re-adjustments or modification of the product beyond what is described in this manual. These must be carried out by Ropox or Ropox authorized personnel. Do not perform service while in use.

This appliance can be used by children aged from 8 years and above and persons with reduced physical, sensory or mental capabilities or lack of experience and knowledge if they have been given supervision or instruction concerning use of the appliance in a safe way and understand the hazards involved. Children shall not play with the appliance. Cleaning and user maintenance shall not be made by children without supervision.

Do not use the product if it has defects or have become damaged before being repaired or replaced.

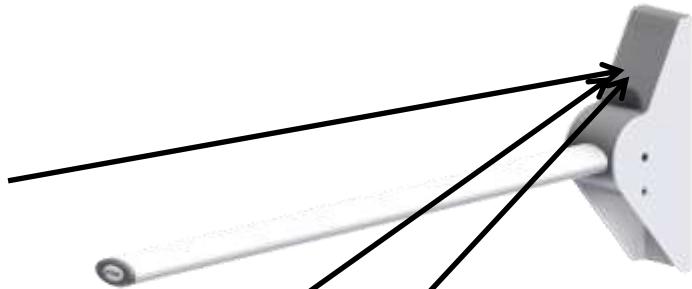
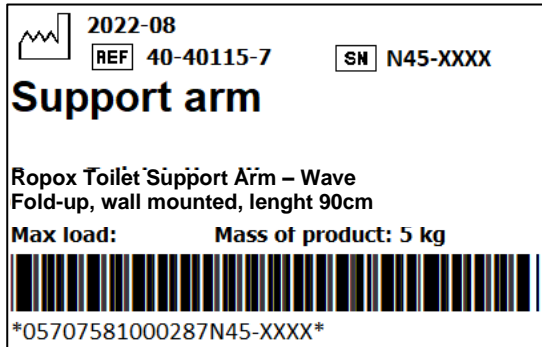









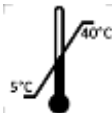

The information in this manual is based on correct installation in accordance with installation instructions for this product.

Ropox cannot be held liable if the product is used in any way that differs from stated in this manual and/or installation instruction.

Ropox reserve the right to amend this manual and reference documents without prior notice.

2.1 Product Unit label



	This product is CE-marked in accordance with: European Medical Device Regulation (EU)2017/745 Council Directive 2011/65/EU, RoHS
	Manufacturer name and address
	Date of production
	Stock number
	Serial number
	Consult manual for important safety related information, warnings, and safety precautions.
	Do not dispose as unsorted municipal waste. Product must be returned to a designated recycling station.
	Operating and storing temperatures may not exceed 5-40C°
	Consult the instructions for use

3. General requirements

3.1 Product information

Manufacturer	Ropox A/S Ringstedgade 221 DK-4700 Naestved +45 55 75 05 00 Info@ropox.com	UK Responsible Person	Qserve Group UK, Ltd 49 Greek Street, W1D 4EG London United Kingdom +44 740 885 936 3 info@qservegroup.com
Product models	Part number	Model	Configuration
	40-40110	Straight	Length 90cm
	40-40115	Wave	Length 90cm
	40-40120	Straight Leg	Length 90cm
	40-40125	Wave Leg	Length 90cm
	40-40140	Straight Bariatric	Length 90cm
	40-40145	Wave Bariatric	Length 90cm
	40-40150	Straight	Length 76cm
	40-40151	Wave	Length 76cm
	40-40152	Straight Bariatric	Length 76cm
40-40153	Straight Leg	Length 76cm	
Expected service life	5 years		
MDR Class 2017/745	Class I		
Intended environments	This product is to be used only in: Professional Healthcare Environment Homecare Environment		
Maximum user weight according to DS/EN ISO 17966:2016	40-40110 and 40-40115 = 190kg 40-40150 and 40-40151 = 255kg 40-40140 and 40-40145 = 385kg 40-40152 = 385kg 40-40120, 40-40125 and 40-40153 = 390kg		
Ambient temperature	-5 °C to +40 °C Transport and storage +5 to +40 °C Operation		
Materials in contact with patient	Component	Material description	
	Arm Covers	St. 37 powder coated ABS	

Accessories	
Item Number	Model/specification
40-40910	Toilet roll holder
40-40925	Get up/sit down fitting
40-40907	Height adjustable unit

3.2 Product description

Ropox Toilet Support Arms help create a stable support for when a user needs to get up, or for when sitting down. This helps and encourages the user to be more self-sufficient when going to the toilet.

3.3 Intended purpose

The Toilet support arms makes people with reduced mobility more self-reliant. The Toilet support arms provide the user with stable support and something to lean on when getting up or sitting down and for some people, it makes them able to use the toilet on their own.

They come in two different shapes, and with different user loads, allowing the user to get the optimal toilet support arm for their individual need.

3.4 Intended operator

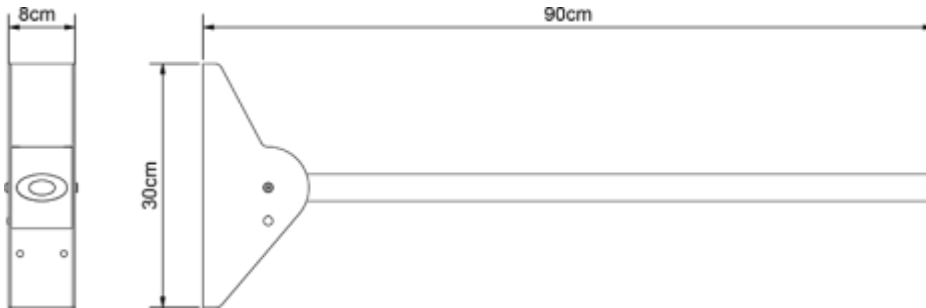
The intended operator may include all that have read and understood this manual exempt kids.

3.5 Clinical functions

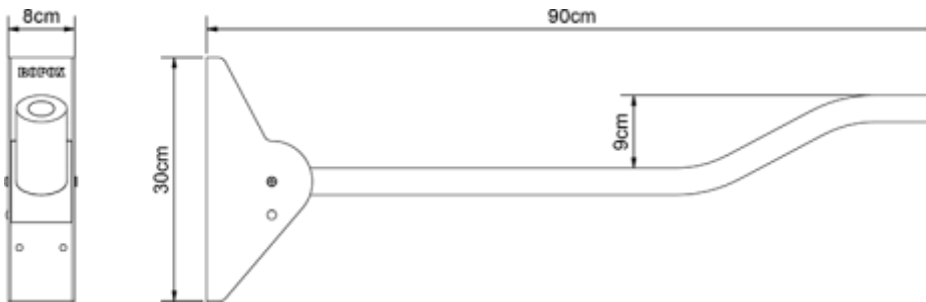
This product does not offer clinical benefit for patients, when used as intended by the manufacturer.

3.6 Product dimensions

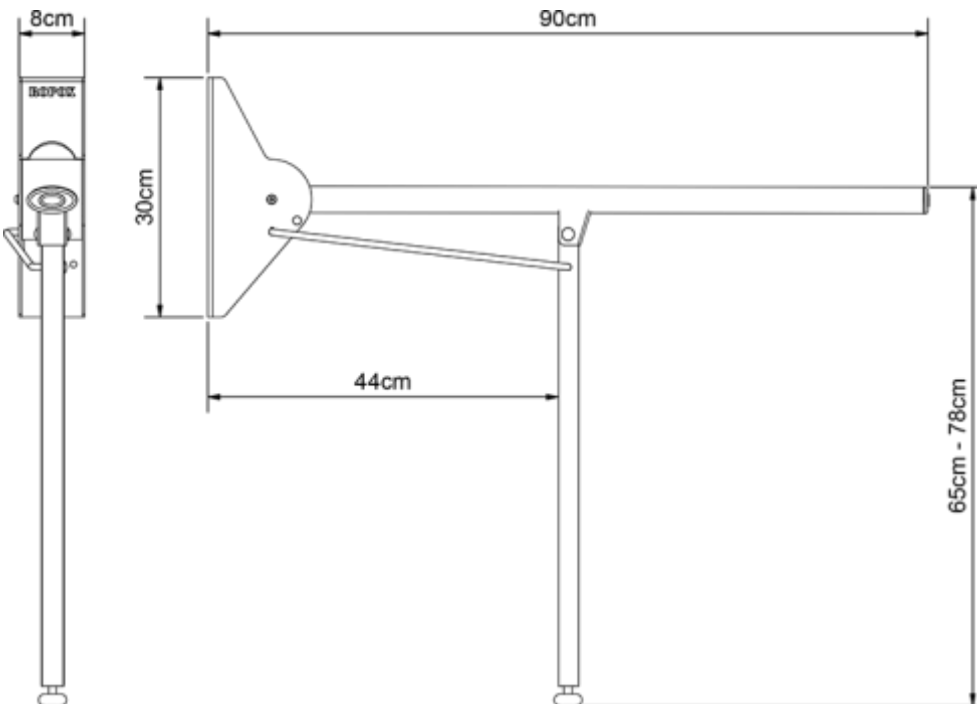
40-40110



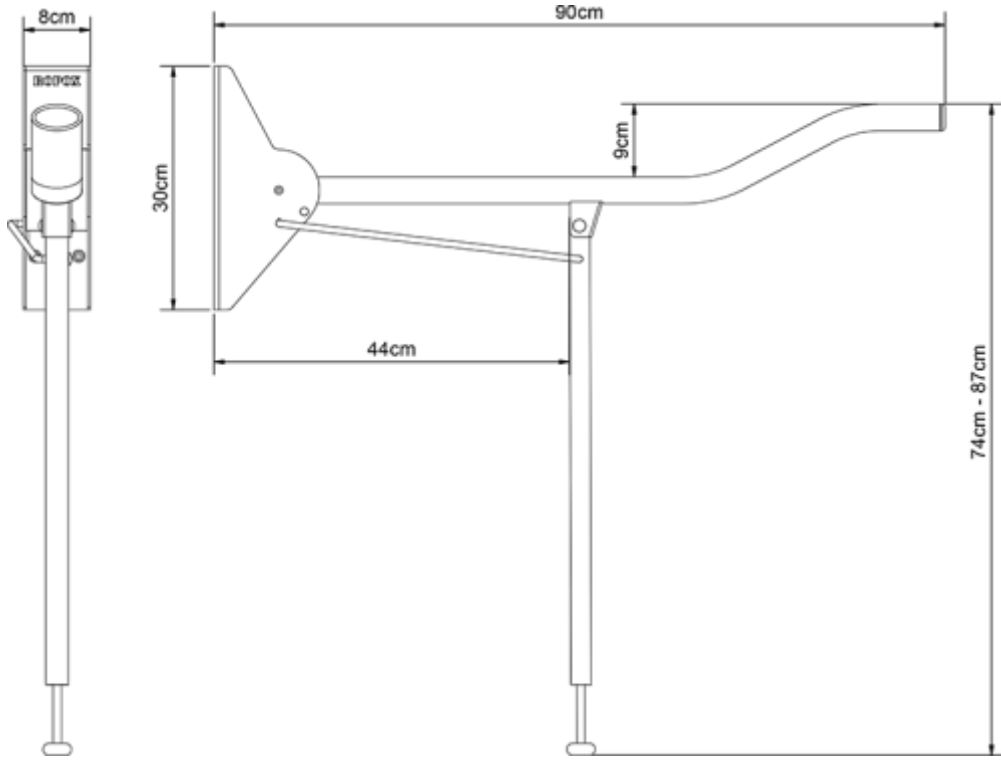
40-40115



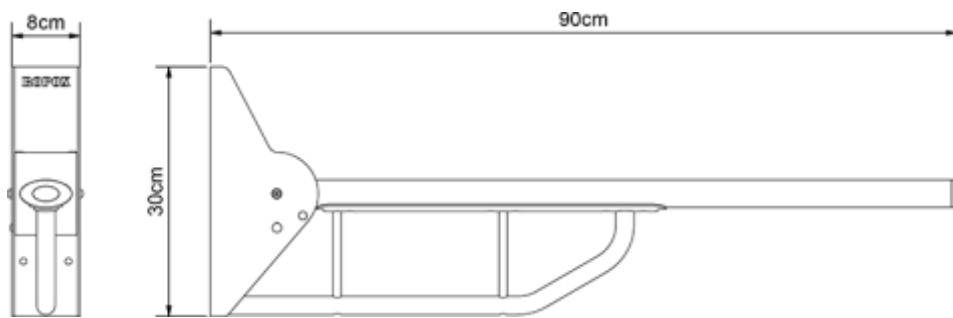
40-40120



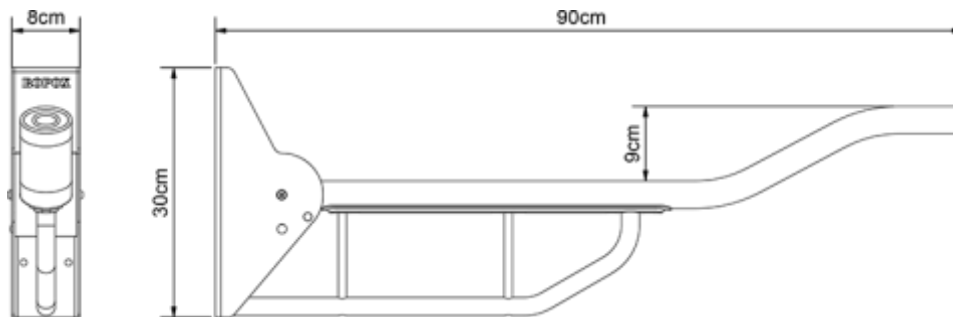
40-40125



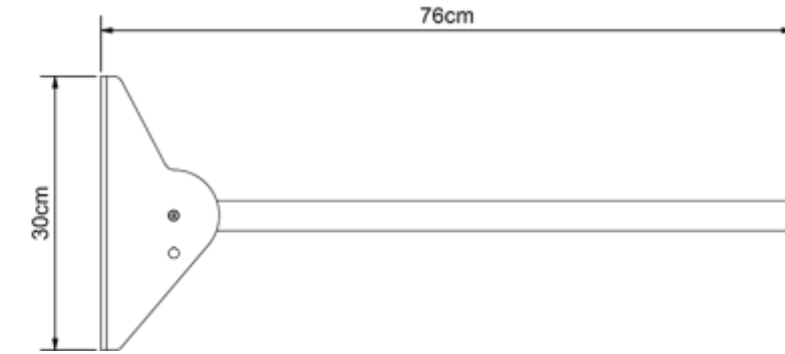
40-40140



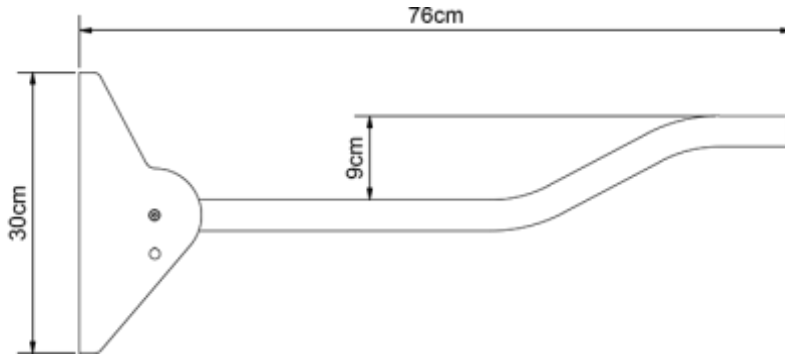
40-40145



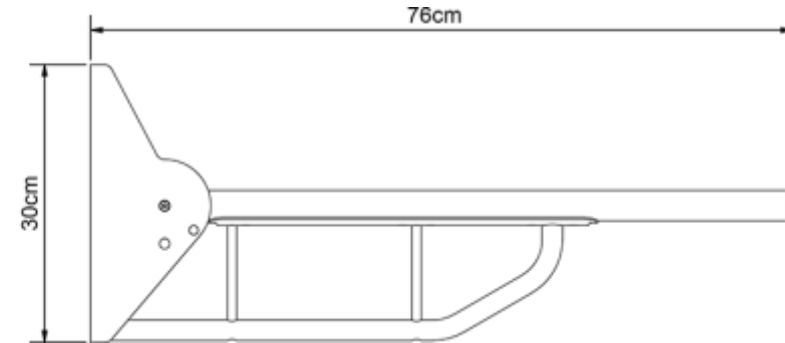
40-40150



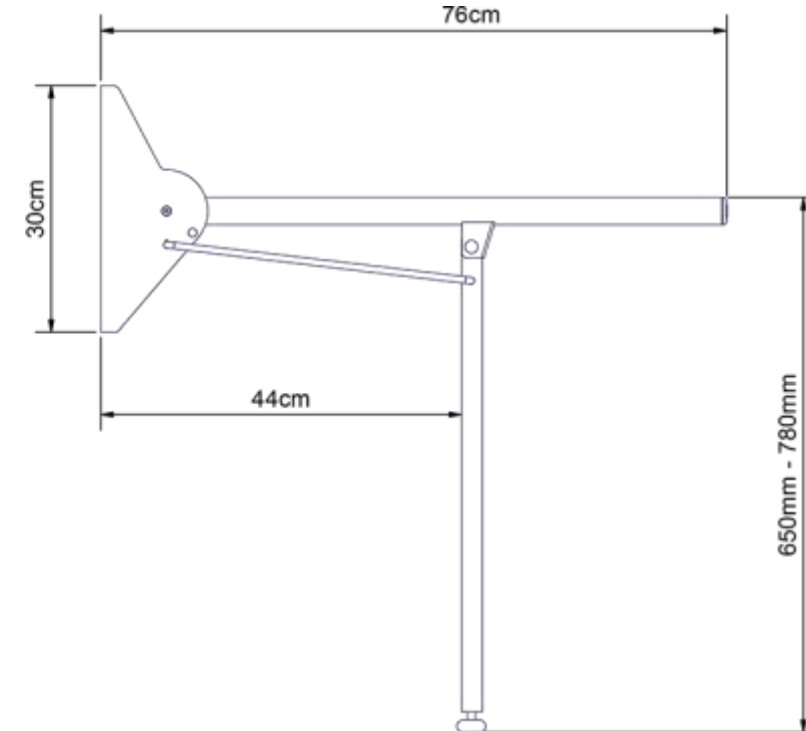
40-40151



40-40152



40-40153



4. Instructions for use

4.1 Installation interfaces

All models of Straight and Wave

(40-40110, 40-40115, ..20, ..25, ..40, ..45, ..50, ..51, ..52 and ..53)

Construction

The wall must be made of a material suited for screw mounting and approved for damp rooms.

The hatched area is the minimum area for reinforcement of the wall. Reinforcement from floor to ceiling is advisable.

The Toilet Support arms from 40-40110 up to 40-40145 are all 900mm (35 1/2") long. The models 40-40150 and 40-40151 are 760mm (30").

All support arms are load-tested according to DS/ISO 17966 the max user weight is:

Max. user weight according to DS/ISO 17966

- 40-40110: 190kg
- 40-40115: 190kg
- 40-40120: 390kg
- 40-40125: 390kg
- 40-40140: 385kg
- 40-40145: 385kg
- 40-40150: 255kg
- 40-40151: 255kg
- 40-40152: 385kg
- 40-40153: 390kg

Max. tensile load of upper screws

- 40-40110: 80kg
- 40-40115: 80kg
- 40-40120: 90kg
- 40-40125: 90kg
- 40-40140: 160kg
- 40-40145: 160kg
- 40-40150: 90kg
- 40-40151: 90kg
- 40-40152: 160kg
- 40-40153: 90kg

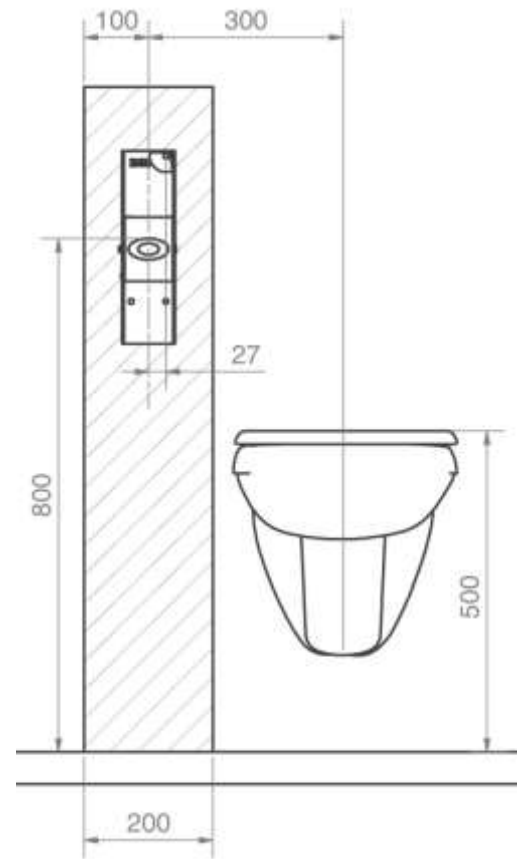
Note

All dimensions are based on a fixed height of the toilet support of 800mm (31 1/2") above floor level. If a change of this height is required, the recommended dimensions must be changed accordingly.

The unit is supplied with a set of 6 screws and rawplugs suitable for mounting on a concrete wall. The fitter should always consider the material, condition and strength of the wall and use screws and rawplugs suitable for the specific wall type.

Attached is the mounting template with an indication of the 6 mounting holes on the bracket.

User heights (upper edge of toilet support) and installation heights (upper holes in template / bracket).

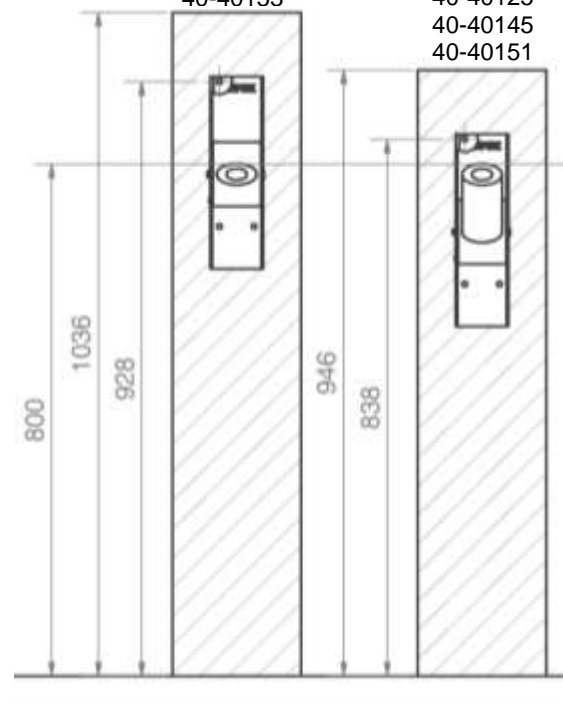


Straight

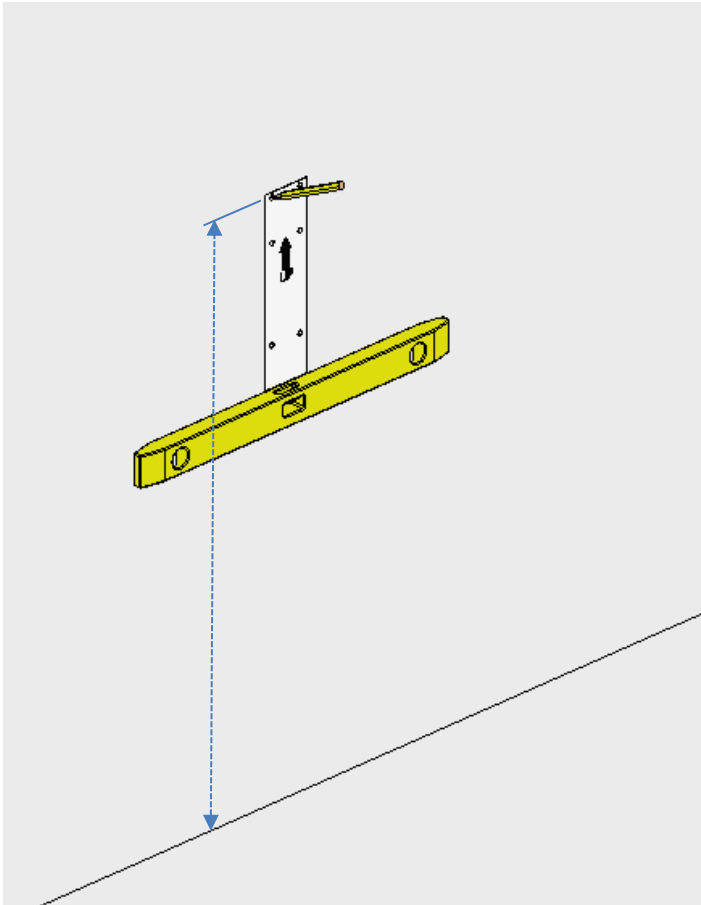
- 40-40110
- 40-40120
- 40-40140
- 40-40150
- 40-40152
- 40-40153

Wave

- 40-40115
- 40-40125
- 40-40145
- 40-40151

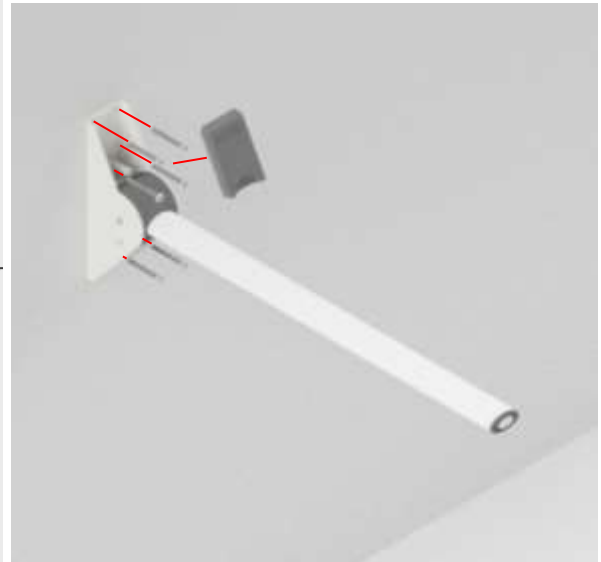


4.2 Installation of product



Mark the holes in the mounting template based on the desired height.

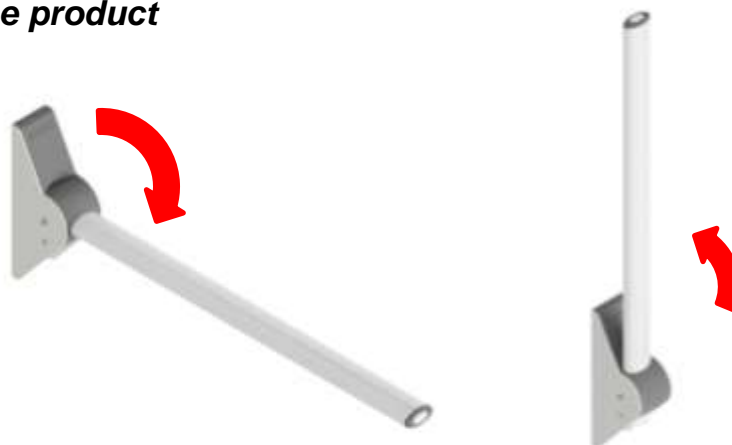
Drill the holes, screw on the toilet support and click on the cover.



Warning!

Before putting product into use for the first time, load test it yourself, to ensure it has been properly fastened to the wall. Failing to do so may lead to serious fall injury of user, in case of incorrect mounting.


4.3 Operating the product



Warning!

The product should always be able to travel the full range of actuation without colliding with objects. Failing to do so will compromise the product stability.

4.4 Safety in use

	<p>Caution!</p> <ul style="list-style-type: none">• The toilet support arm becomes slippery when its wet• Be careful not to squeeze your fingers when turning the toilet support arm up / down• Helper or other person can get foot underneath supporting leg• Get up/sit down fitting, if not mounted correctly they can glide out off the bar
---	---

5. Cleaning

Cleaning can be done with lukewarm water and a suitable all-purpose cleaning agent. Use a cloth or soft sponge to wash the product.

For surface disinfection, chlorine-based disinfectants may be used in accordance with the product specification and safety precautions for these products, however, not at a solution greater than 1.000 ppm of active chlorine.

Likewise, ethanol-based disinfectants may be used in accordance with the product specification and safety precautions for these products.


The following agents have been tested by Ropox, and can be used, as long as they are diluted according to the instructions on the container.

5.1 Preapproved disinfection products

Tradename	Solution
Diversey Suma Tab D4	1.000 ppm
Rodalon ®	Ethanol 70% v/v


Immediately after cleaning or disinfection, the product must be wiped down with a cloth wrung in clean water, then a dry rag, as some materials may otherwise become discolored and stained, and the surface coating may deteriorate.

Keep in mind, after prolonged use of the product, with regular cleaning intervals, it can be expected that certain surfaces will not have the same sheen as initially. The product can be disinfected regardless.





	<p>Note!</p> <p>Do not use cleaning agents containing abrasive e.g., scouring powder, steel wool, scouring sponge.</p> <p>This product is not designed to be sterilized. Autoclaving and sterilization beyond normal means may change the product safety and function.</p>
---	---


6. Maintenance

The toilet support arm is maintenance free. For safety reasons, however, we regularly recommend inspecting all bolt connections and moving parts to ensure that no parts are loose and that wall mounts are intact.

	<p>Note!</p> <p>Failing to comply with periodic maintenance may result of degrading of product function and safety.</p>
---	--

7. Component part list

<p>1 pc. Toilet support arm, model varies</p> 	<p>1 pc. Cover</p> 
<p>1 pc. Mounting template</p> 	<p>1 set Wall plugs and screws</p> 

	<p>Note!</p> <p>Ropox will make parts list and circuit diagrams available for extraordinary maintenance and repair beyond what is described in this manual. Repair beyond what is described in this manual may only be done by Ropox designated service personnel.</p>
---	---

8. Environmental protection

The product is not intended to be disposed as municipal waste. Proper disassembly, sorting and disposal of components must be done by waste disposal professionals.



Part	Material
Cover	ABS
Toilet support arm	Steel

9. Accident reporting

The manufacturer of this product recommends any accident with this product that meets all of the following criteria reported to the appropriate authority as well as to the manufacturer.

1. *There has been or could have been an event*
2. *The medical device is considered to be a contributing factor to the case, and*
3. *The event resulted or could have resulted in one of the following outcomes:*
 - *death - a patient, a user or a third party death*
 - *A serious deterioration of a patient's health, a user's or third party health status in the form of:*
 - *1. Life-threatening disease*
 - *2. Lasting damage or injury*
 - *3. Necessary medical or surgical treatment to divert life-threatening illness, permanent injury*
 - *4. Fetal death, fetal injury or congenital abnormalities.*



ROPOX A/S

Ringstedgade 221
DK – 4700 Naestved
Tel.: +45 55 75 05 00 Fax.: +45 55 75 05 50
E-mail: info@ropox.dk
www.ropox.com