



2x Bend Special for **FlexiPlus**

Installation manual

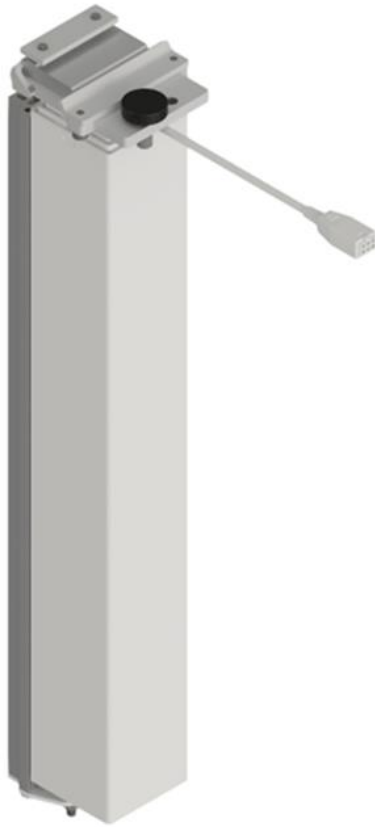
30-93xxx

TF 200.04.0022 / Date 14-02-2024

Table of Contents

- 1. Component part list..... 3
- 2. Installation of product..... 5

1. Component part list



6x Motor column incl. mounting bracket 30-67610-1

Includes

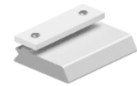
Wall bracket
30*67608-148
30*67608-179
95091439



Adjustment screw M10x25
96101125



Bracket w/flatnut
30*67608-165
30*67608-225
95020621



Tightening plate
30*67608-167



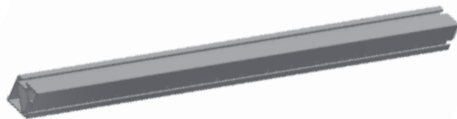
INSEX Screw M6x12
95010612



Flange nut M6
95180067



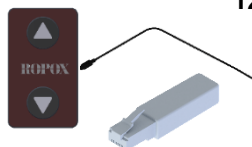
Cable hanger
97004062



3x Aluminum profile [specific length] 30*65100-XXX



Support arms 30-67620-9



120-240V Control box 4ch incl. mounting bracket 30*67608-222

Includes press pad, cable, and adapter
97000244
97000256



1x Control box 2ch incl. mounting bracket
30*67608-220

Includes press pad, cable, and adapter
97000244
97000256



4x Angle fitting
97002730



2x Motor cable 100 cm (39.5in)
93000068



4x Motor cable 200 cm (78.5in)
93000069



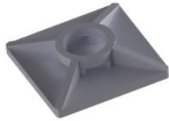
2x Power cable 320 cm (126in)
93000006



2x Motor extension cable 200 cm (78.5in)
93000212



1x Serial control cable CBD6S
93000211



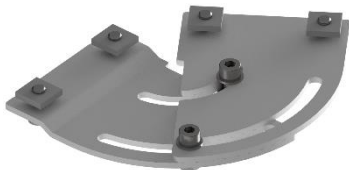
2x Cable mounts
96000155



2x Cable ties



24x INSEX Set screw M8x10
95030810



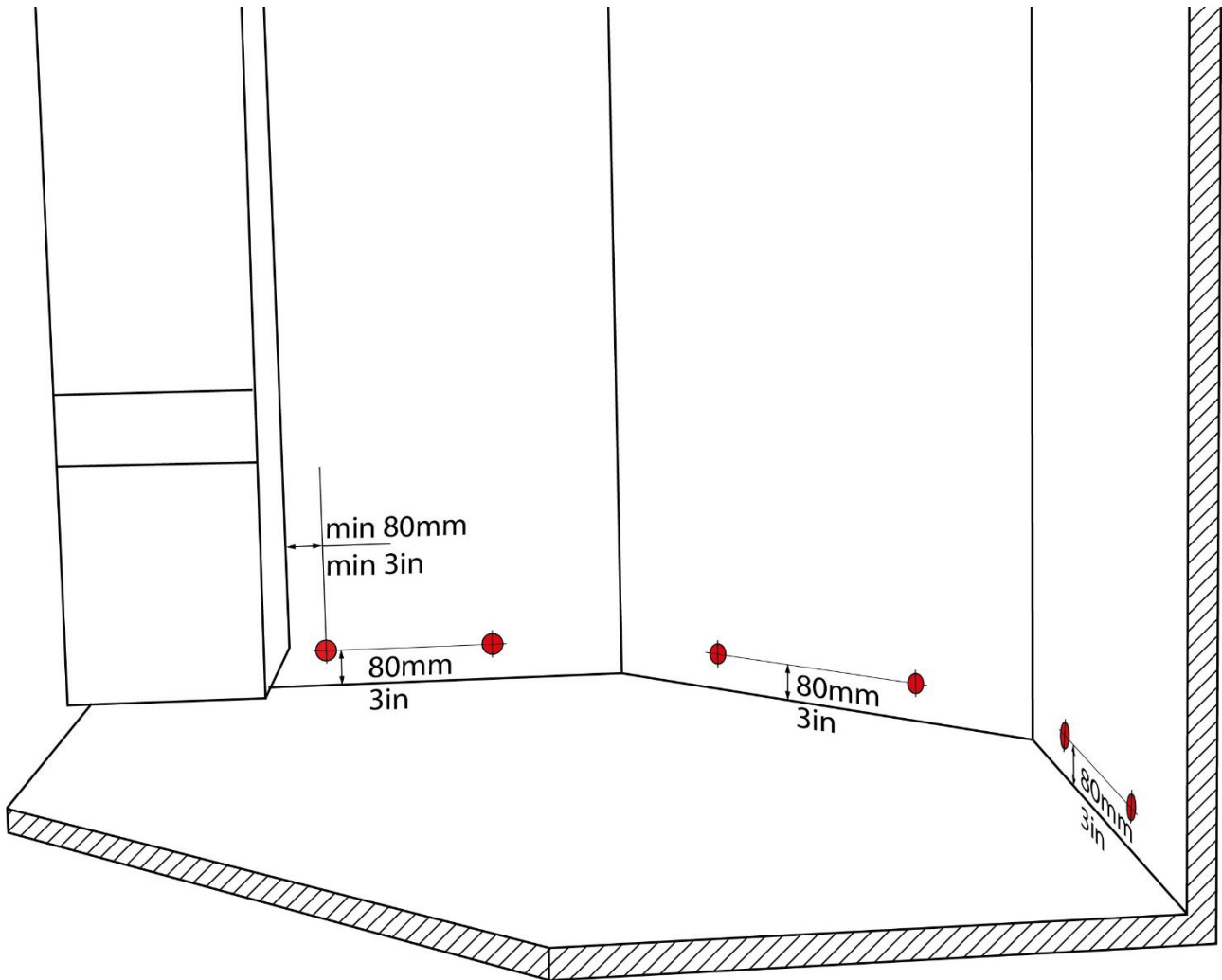
2x Corner bracket adjustable
30-90570-1

2. Installation of product



2.1

Mark out points for bottom screws for fastening of wall brackets



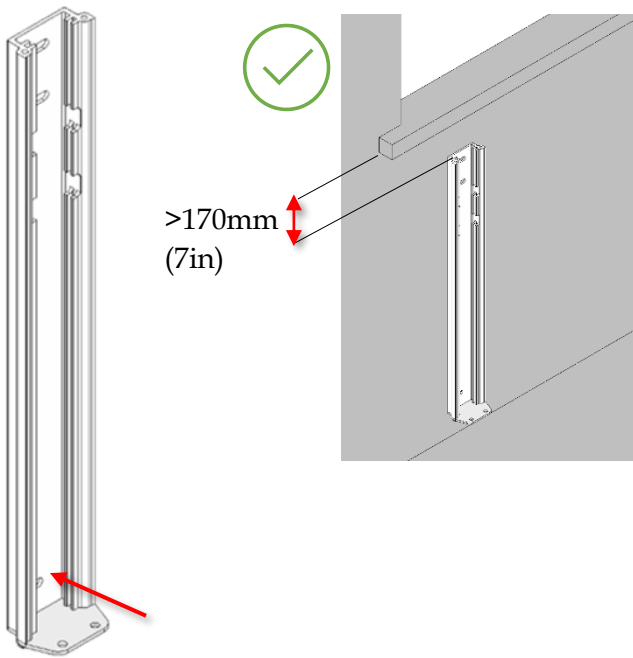
Holes are recommended at a distance of 80mm (3in) to the floor. Keep a minimum distance of 80mm (3in) to fixed objects next to countertop.

2.2

Attach wall brackets in the points marked out

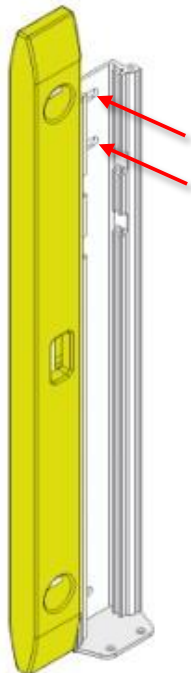
Use appropriate rawlplugs. Max pull-out force in top screw is 38kg (84 lbs).

Make sure that there is at least 170mm (7in) of clearance above the wall bracket.



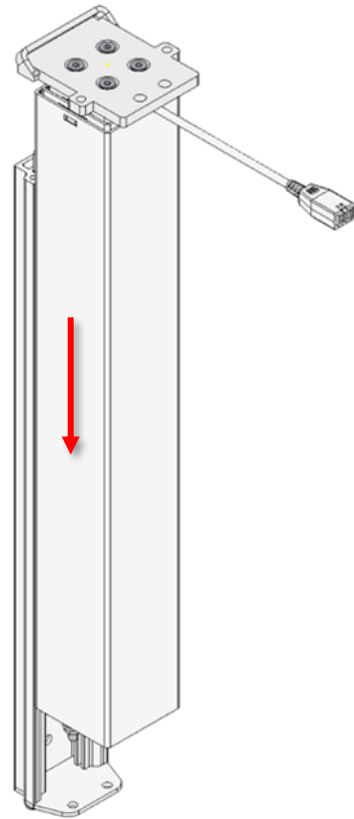
2.3

Plumb the wall brackets and attach top screws



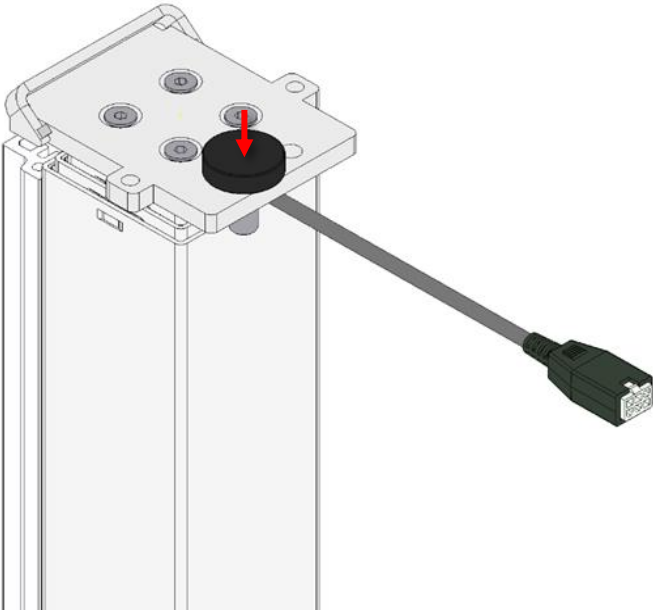
2.4

Slide motor columns in wall brackets



2.5

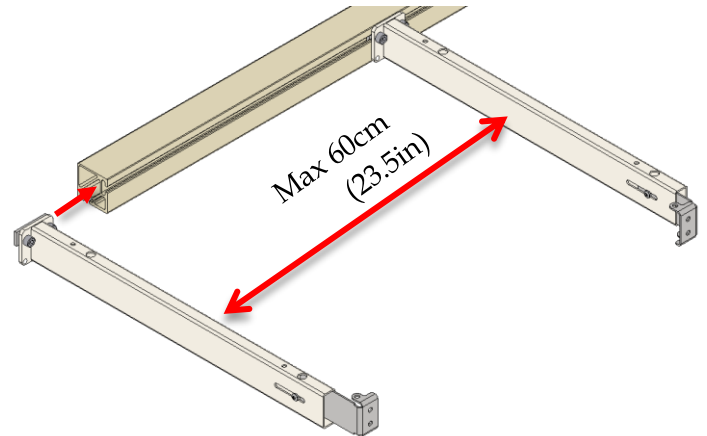
Mount the adjustment screws on the motor columns, in line with where the support arm will be placed



2.7

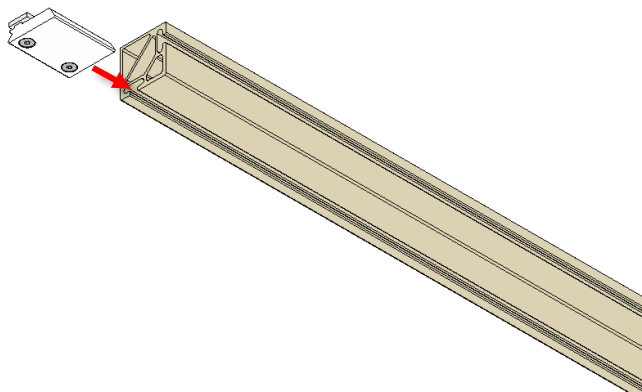
Mount support arms on profile, placed over the adjustment screws on motor columns

Note that the inner support arms mustn't be placed more than 60cm (23.5in) apart. Outer brackets (toward side fascia) must face inward. This is done by unscrewing the brackets.



2.6

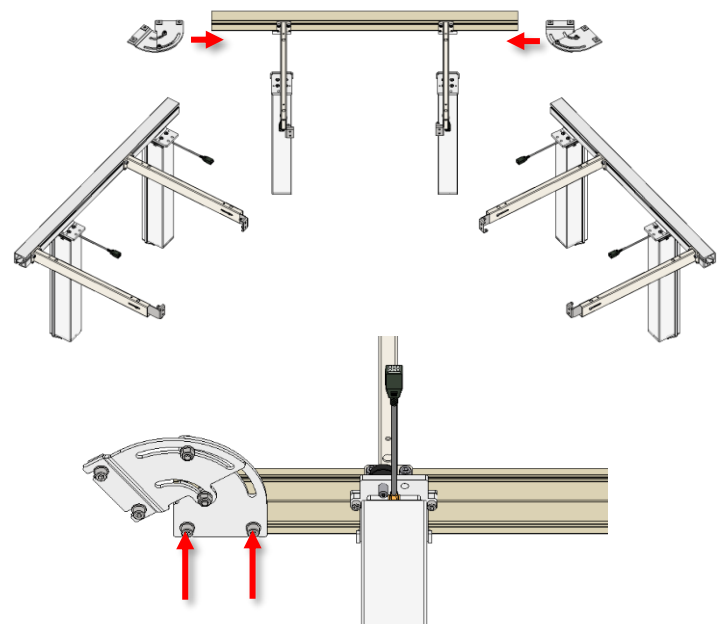
Mount the bracket with flatnut on the profile, in line with where the motor columns are placed. Tighten the bottom screws to fasten the bracket.



2.8.1

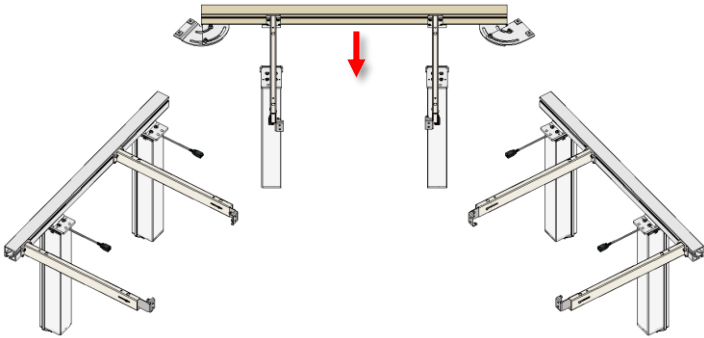
Mount adjustable corner bracket

Use M8x14 screws and flatnuts. Tighten screws after placement of corner bracket.



2.8.2

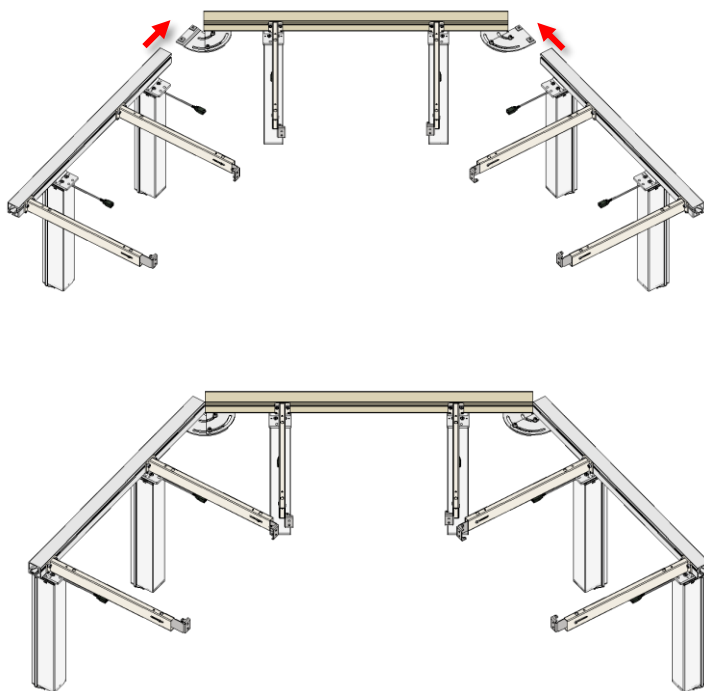
Place back profile on motor columns



2.8.3

Mount adjustable corner bracket on remaining aluminum profiles

After placement of profiles, tighten the screws.



2.9

Continue the installation of the product, by following the User manual **Ropox FlexiPlus CORNER, TF 200.0014** from 4.1.7