

”Occasional adjustment
to suit your height”



FLEXIBASIC

YOUR KITCHEN WILL REACH NEW HEIGHTS

Manually height adjustable using a lifting unit. The lifting unit can be used throughout a development with a caretaker or handyman making the adjustment.

Especially suited to sheltered accommodation where lots of kitchens are able to have some adjustment built in to their design

The FlexiBasic system can be adjusted between standing and seated users as the person's needs may change.

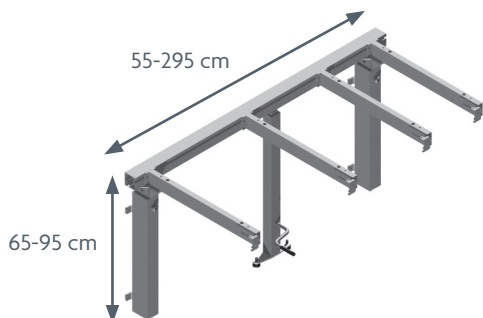


The lifting unit is removed when the table height is adjusted.

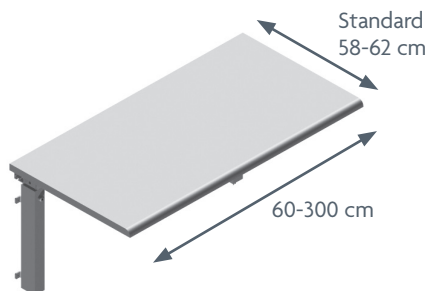
FLEXIBASIC

Max. load: 150 kg evenly distributed
 Height: 65-95 cm
 Length: 60-300 cm
 Colour: RAL 9010

FLEXIBASIC – frame for worktop with lift unit



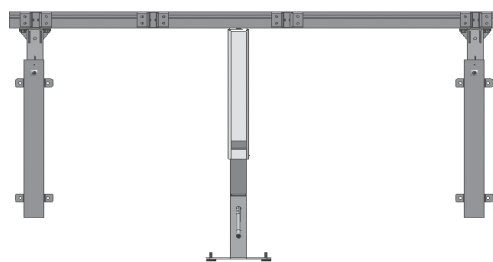
FLEXIBASIC – frame including worktop



MODELS/ITEM	30-63060/ 30-63100	30-63105/ 30-63150	30-63155/ 30-63200	30-63205/ 30-63250	30-63255/ 30-63300
LENGTH OF WORKTOP	60-100 cm	105-150 cm	155-200 cm	205-250 cm	255-300 cm

TIPS:

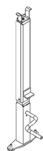
- Leg and tabletop support arms can be moved sideways leaving space for various inset hobs or sinks.
- Use fascia panels of 6-8 cm under the tabletop in order to hide the tabletop support arms.



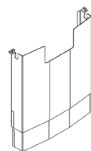
FLEXIBASIC – viewed from front with lift unit

ACCESSORIES

Lift unit
 Item: 30-63402



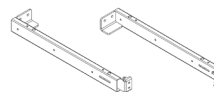
Cover for installation
 Item: 30-67635



Support arms for worktop, depth 38-72 cm
 Item: 30-67619 to 30-67627



Support Arm
 Left Item: 30-67645 to 30-67649
 Right Item: 30-67644 to 30-67648



NB! Find more information about measurements, technical data, installation interfaces and much more under the product and in the instruction manuals on our website.

The items are produced according to the following Standard: DS / ISO 17966:2016

ROPOX A/S · Ringstedgade 221 · 4700 Naestved, Denmark – Phone: +45 5575 0500 · info@ropox.com · www.ropox.com

ROPOX™

BETTER WAYS TO BETTER DAYS

– A PART OF AddLife®