



ROPOX VARIO CHANGING BED

SPACESAVING CHANGING BED

The Ropox Vario changing bed is mounted on the wall.

The height is adjustable from 30-100 cm using the hand control with spiral line.

When the changing bed is not in use, the tabletop can be folded up and locked in a vertical position so that it takes up very little space in the room.

Folding up and down the table top takes place in a muted movement.

Ropox Vario changing bed is available in five models incl. and without a folding side bed guard and mattress adapted to the changing table.

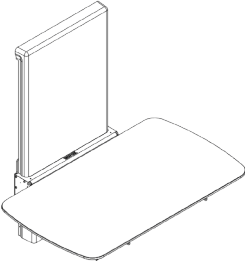
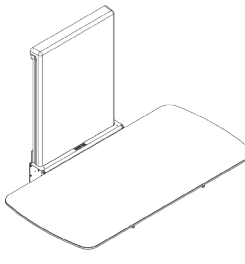
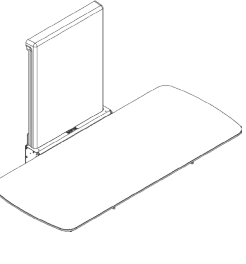
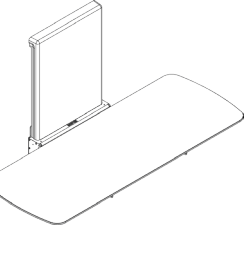
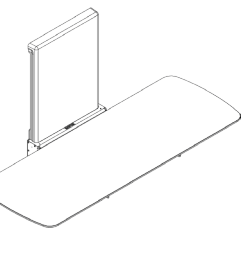
The mattress has a cleaning-friendly surface that makes it easy to clean after use.

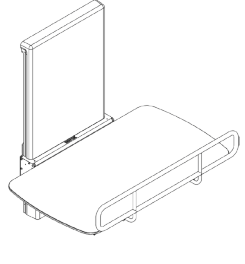
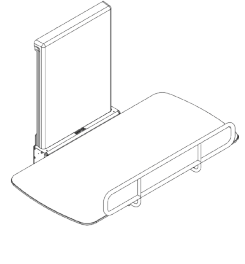
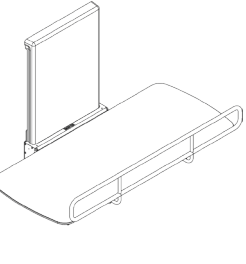
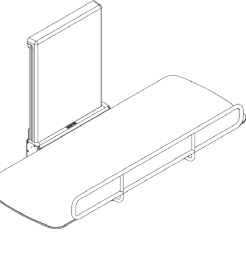
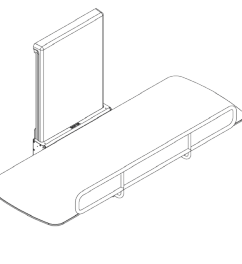


ROPOX VARIO CHANGING BED

Height adjustment: 70 cm (30-100 cm)
User weight: 200 kg DS/EN 12182:2012

ROPOX VARIO CHANGING BED

VARIO WITHOUT BED GUARD RAIL				
				
120x70 cm V-nr.: 40-30604	140x70 cm V-nr.: 40-30606	160x70 cm V-nr.: 40-30608	180x70 cm V-nr.: 40-30610	190x70 cm V-nr.: 40-30611

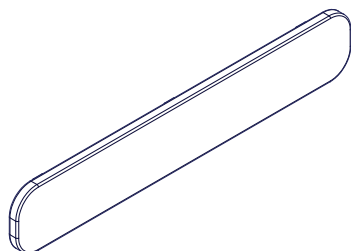
VARIO WITH BED GUARD RAIL				
				
120x70 cm V-nr.: 40-30804	140x70 cm V-nr.: 40-30806	160x70 cm V-nr.: 40-30808	180x70 cm V-nr.: 40-30810	190x70 cm V-nr.: 40-30811

ACCESSORY

Cushion to the bed:

V-nr.: 40-25782 for 120 cm/140 cm

V-nr.: 40-25783 for 160 cm/180 cm/190 cm



Matress tabletop (thickness 3 cm):

V-nr.: 40-25760 for 120 cm

V-nr.: 40-25795 for 140 cm

V-nr.: 40-25796 for 160 cm

V-nr.: 40-25764 for 180 cm

V-nr.: 40-25765 for 190 cm



The items are produced according to the following Standard: DS/EN 12182:2012.

ROPOX A/S · Ringstedgade 221 · 4700 Naestved, Denmark – Phone: +45 5575 0500 · info@ropox.dk · www.ropox.com

ROPOX™
BETTER WAYS TO BETTER DAYS

– A PART OF AddLife®

No. 1962352-0922