

”Enjoy everyday life  
in the kitchen  
– regardless of your height”



4SINGLE

## YOUR TABLETOP WILL REACH NEW HEIGHTS

Manual or electric height-adjustable multi-functional frame for sitting as well as standing work.

Perfect for kitchens, for rooms with large space, family rooms, and dinning-rooms and for many various kitchen activities.

You can adjust the frames by using a handle, remote control or controller. If you mount robust brake wheels on the frame you will get a very mobile table that can be placed almost anywhere in the room according to individual needs.

The table frame can be designed according to individual requested sizes and for almost every kind of tabletops.

The 4Single table is ideal for the whole family: Large, small, young, elderly or wheelchair and many others.



**ROPOX™**

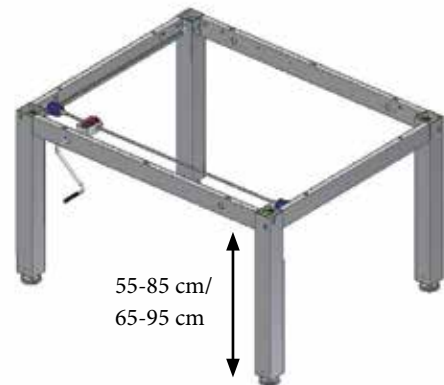
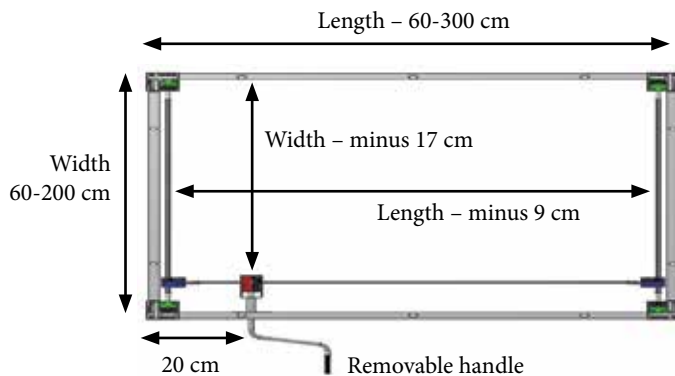
BETTER WAYS TO BETTER DAYS

– A PART OF **AddLife**

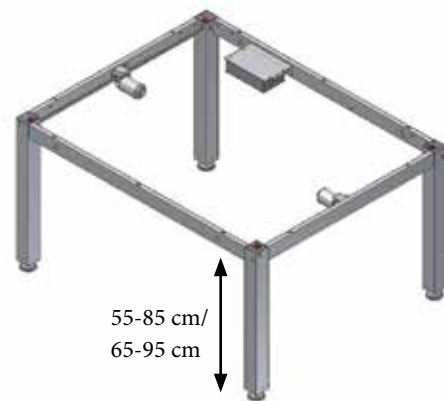
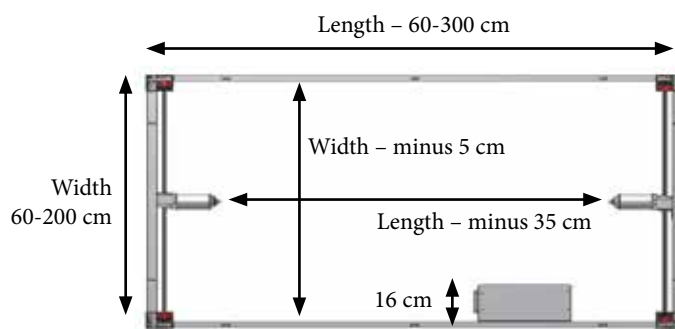
# 4SINGLE

Max. load: 150/250 kg evenly distributed  
Height: 55-85/65-95 cm  
Length: 60-300 cm  
Width: 60-200 cm  
Colour: RAL 7021

## 4SingleManual (height 55-85 cm) or (height 65-95 cm)



## 4SingleElectric (height 55-85 cm) or (height 65-95 cm) 4SingleElectric is also available with a battery solution



## ACCESSORIES

Brake wheels  
- increase the height  
by 6.5 cm  
50-41600



Fitting  
for floor  
50-41605



Safety strip,  
length 56-620 cm  
30-69056 - 30-69620



Battery  
50-47025 (max. 150 kg)  
50-47026 (max. 250 kg)



### Tips:

- The frames are available in other colours.
- The frames are as standard 4 mm smaller than the tabletop size.
- We always recommend safety stops for the electrical frames.

ROPOX A/S · RINGSTEDGADE 221 · 4700 NÆSTVED, DENMARK  
PHONE: +45 5575 0500 · INFO@ROPOX.DK · WWW.ROPOX.COM

**ROPOX™**  
BETTER WAYS TO BETTER DAYS

- A PART OF AddLife®