

”Perfect working conditions
– regardless your height”



FLEXIMANUAL/FLEXICORNER

YOUR TABLETOP WILL REACH NEW HEIGHTS

Manual height adjustable system allows you to easily adjust the tabletop for the perfect working height for people sitting or standing by using a handle.

An economic way of providing instant height adjustment, but requiring more effort than the FlexiElectric.

Corner solutions make it possible to have the hob, sink and preparation area adjustable all together.

The Flexi systems are ideal for private homes, schools, training kitchens, nursing homes, homes for elderly people and for people with disabilities.

ROPOX™

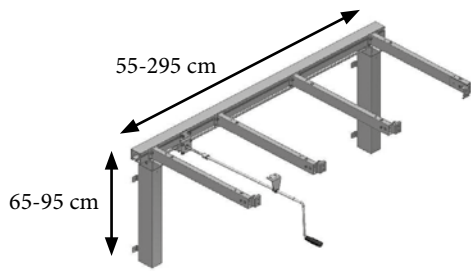
BETTER WAYS TO BETTER DAYS

– A PART OF **AdLife**

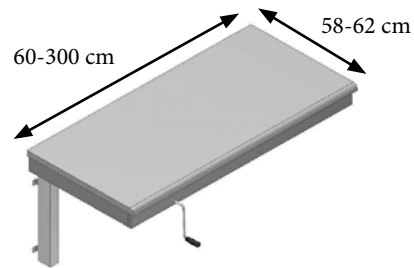
FLEXIMANUAL/FLEXICORNER

Max. load: 150 kg evenly distributed
 Height: 65-95 cm
 Length: 60-300 cm
 Colour: RAL 9010

FlexiManual – standard frame for worktop

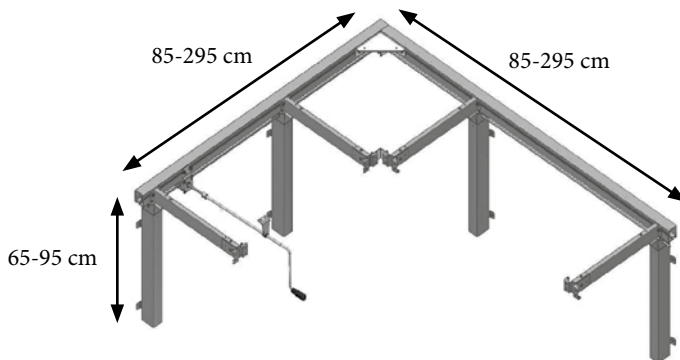


FlexiManual – including worktop and fascia

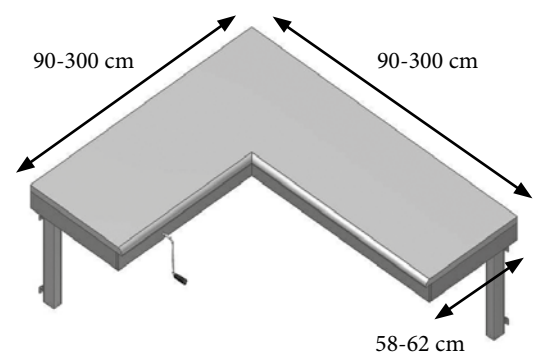


MODELS/ITEM	30-65060/ 30-65100	30-65105/ 30-65150	30-65155/ 30-65200	30-65205/ 30-65250	30-65255/ 30-65300
LENGTH OF WORKTOP	60-100 cm	105-150 cm	155-200 cm	205-250 cm	255-300 cm

FlexiManual Corner – standard frame for worktop



FlexiManual Corner – including worktop and fascia



ACCESSORIES

Support arms for worktop, depth 34-72 cm
 30-67619 – 30-67624



Cover for plumbing
 30-67635



Sink A-400, incl. insulation plate
 30-45007 – 40x34x14.5 cm
 30-45008 – 40x34x10 cm



Flexible plumbing kit
 40-25754



Fitting for concealment panels
 30-67760



Tips:

- In general the frame is 5 cm shorter than the tabletop.
- We recommend fascia height for 6-8 cm under the tabletop in order to hide the tabletop support arms.
- You can easily dismount the handle.

ROPOX A/S · RINGSTEDGADE 221 · 4700 NÆSTVED, DENMARK
 PHONE: +45 5575 0500 · INFO@ROPOX.DK · WWW.ROPOX.COM

ROPOXTM
 BETTER WAYS TO BETTER DAYS

– A PART OF AddLife

The items are produced according to the following Directives and Standards: DS / ISO 17966:2016