

4Single Battery

User manual

Installation instructions

This manual must always accompany the product

Table of Contents

Table of Contents	2
1 Introduction	3
2 Technical data	4
3 List of components	5
3.1 Optional extras	Fejl! Bogmærke er ikke defineret.
4 Replacement instructions	6
4.1 Installing the control.....	8
5 Replacement instructions	9
5.1 Function test.....	9
6 Safety	10
7 Maintenance	11
7.1 Service forms, operation and maintenance.....	12
7.2 Waste disposal.....	13
8 CE declaration	14
8.1 EU Declaration of Conformity	14
8.2 Directives and Standards	14
9 Complaints	15

1 Introduction



It is important that you read this manual before using this product.

Product: 4Single Battery Pack

Manufacturer: Ropox, DK-4700 Næstved, Tel. +45 55 75 05 00

Area of application: The 4Single Battery Pack is an extra pack for the 4Single electric multifunction table. This replacement kit allows the table to be made even more flexible and easy to transport.

The battery pack is available in two versions, so that the table's height adjustment function is just right for the desired purpose. One provides the facility for rapid movement, while the other allows for a far heavier loading of the table during lifting.

The unit must be used indoors in temperature and humidity conditions in the home as described in section 2. The 4Single table and the battery pack are not designed for use in damp rooms.



The control box has an IP32/II tightness class and must always be located in accordance with heavy current regulations or equivalent national or international standards.

Users of this product are obliged to observe these instructions. It is extremely important that the instructions have been read and understood before the product is used, as correct use, operation and inspection are crucial for effective, safe functionality.



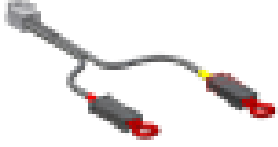

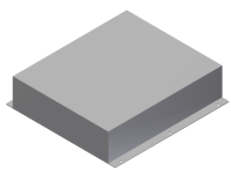
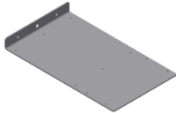




This product is electrically height-adjustable and therefore poses a risk of crushing. Any operation must be carried out by or under the supervision of an adult who has read and understood the importance of section 9 "Safe operation"



2 Technical data

Product number	4Single Battery Pack (rapid) 4Single Battery Pack (heavy load)	50-47013 50-47014
Materials	Steel and misc. plastic parts	
Surface treatment	Powder coating: st. CWS 81283 RAL 7021 mat	
Power supply	230V AC/2.5A/50Hz	
Battery	Output voltage: 24V DC; Output current limit: Max. 15A	
Intermittence	Max. 10% = 1 min. active/9 min. pause	
Operational capacity	Number of lifts when fully loaded: min. 100 times.	
Max. load	40-47013: 130 kg evenly distributed over whole frame	
Speed/time of lift	Approx. 32 mm/s – approx. 10 seconds.	
Heavy load (optional extra)	40-47014: 250 kg evenly distributed over whole frame	
Speed/time of lift	Approx. 12 mm/s – approx. 25 seconds.	
Temperature	5-45°C	
Humidity	5-85% (non-condensing)	

3 List of components

96000588	Control box		1	 
including:				
98002014	Y-lead to safety shutout connectors with resistor	End	1 2	
98002013				
96000578	Battery (incl. charger)		1 set	 
97701-731	Mount for control box and battery		1 set	
95091012	Screw $\varnothing 4.8 \times 13$		12	
30-67840	Control, small surface (6 x 3 cm)		1	

3.1 Optional extras

96000629	Split cable for control more than one control required	Used if	1	
30-67840	Extra control more than one control required	Used if	1	

4 Replacement instructions

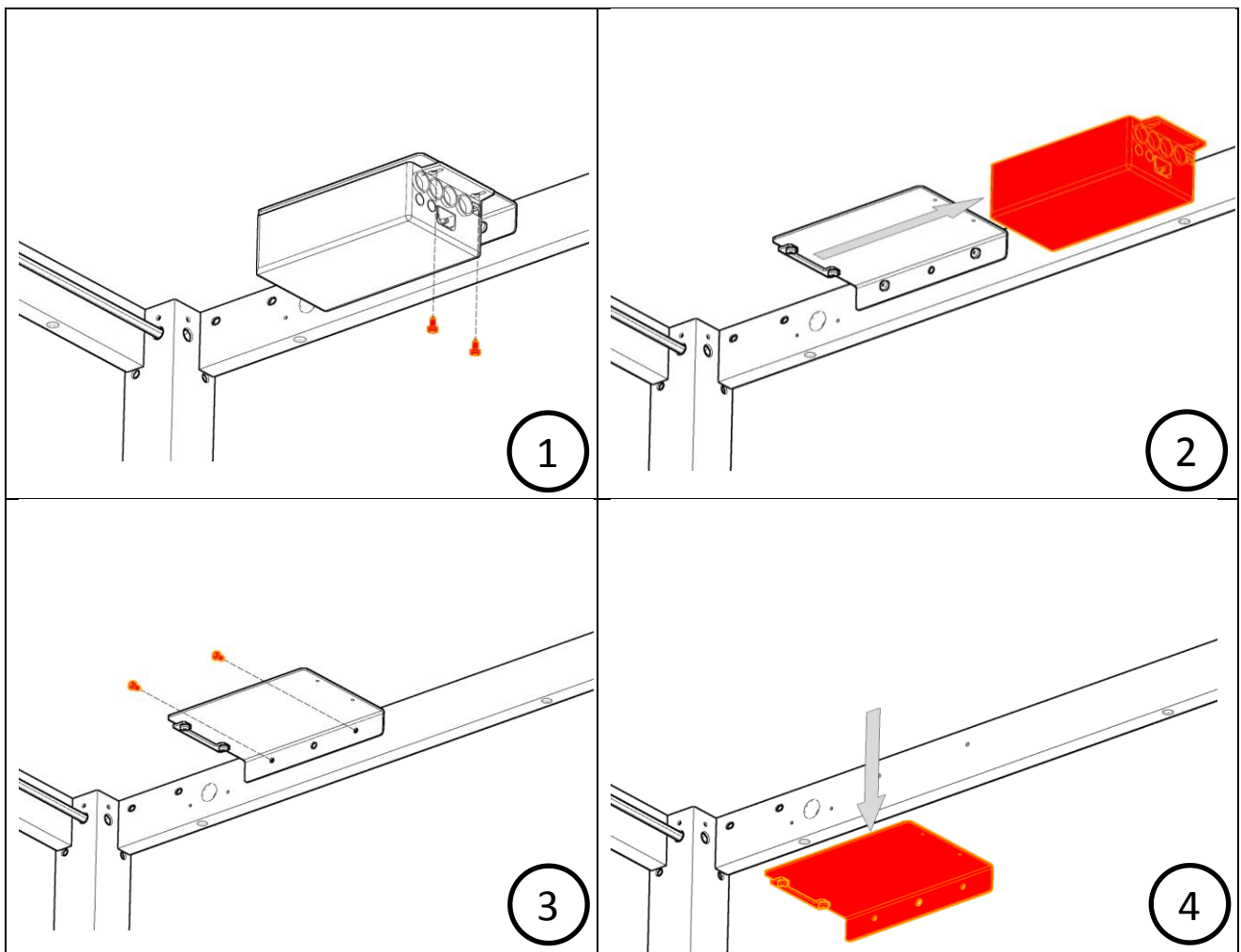
Before you start replacing the old control with the battery pack, refer to the list of components to make sure that all parts have been included. See list of components, section 3.



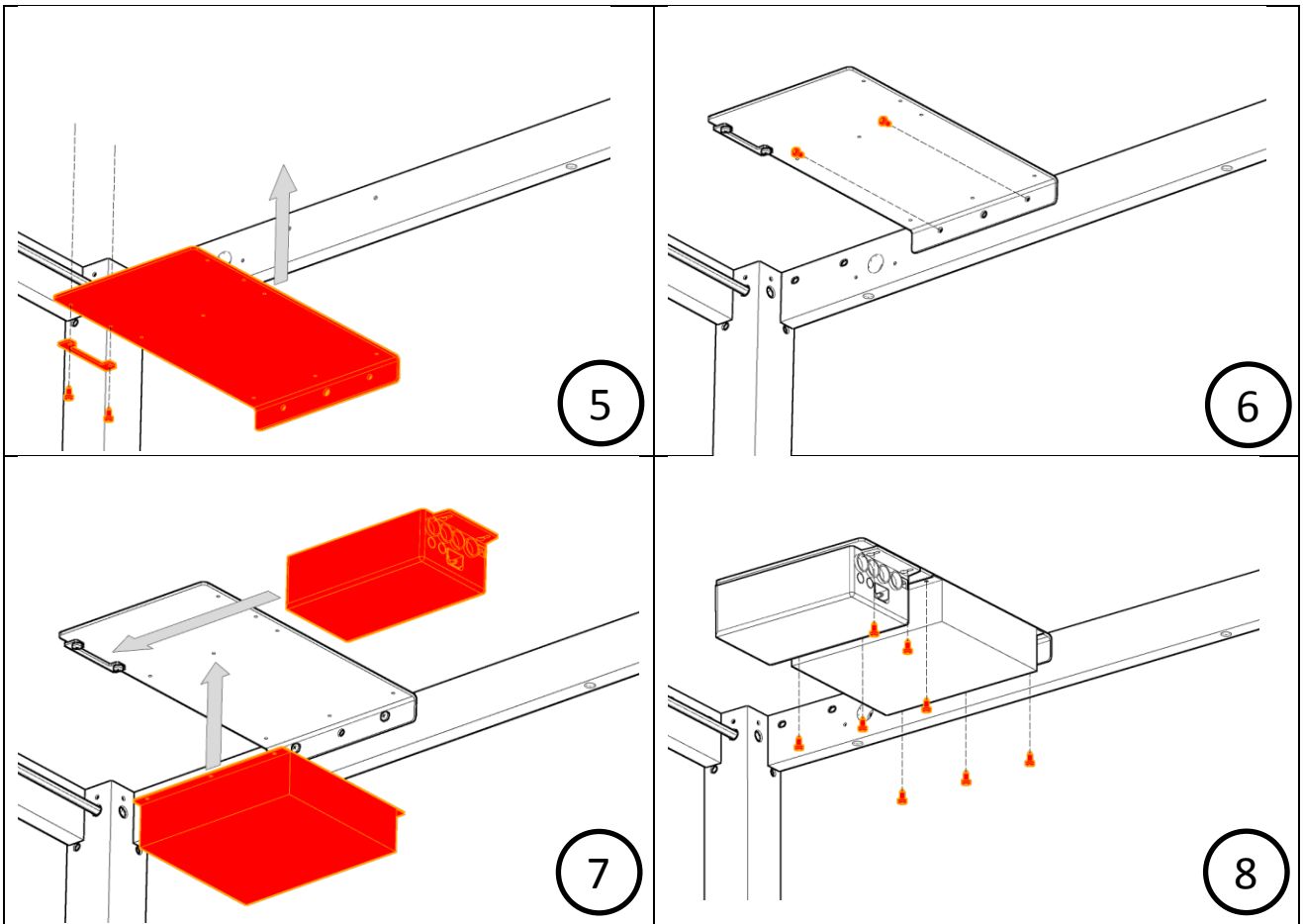
Installation must always be carried out by competent personnel.

Detach all cables leading to and from the control box before replacing the control.

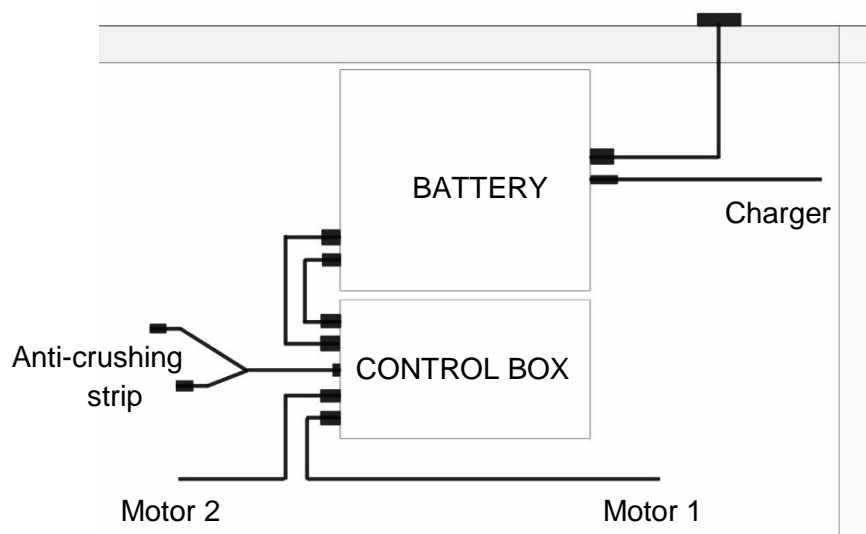
Picture 1-4: Removing the old control box



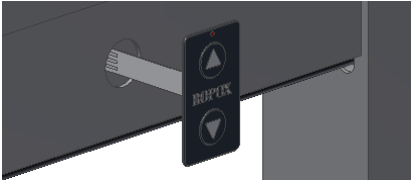
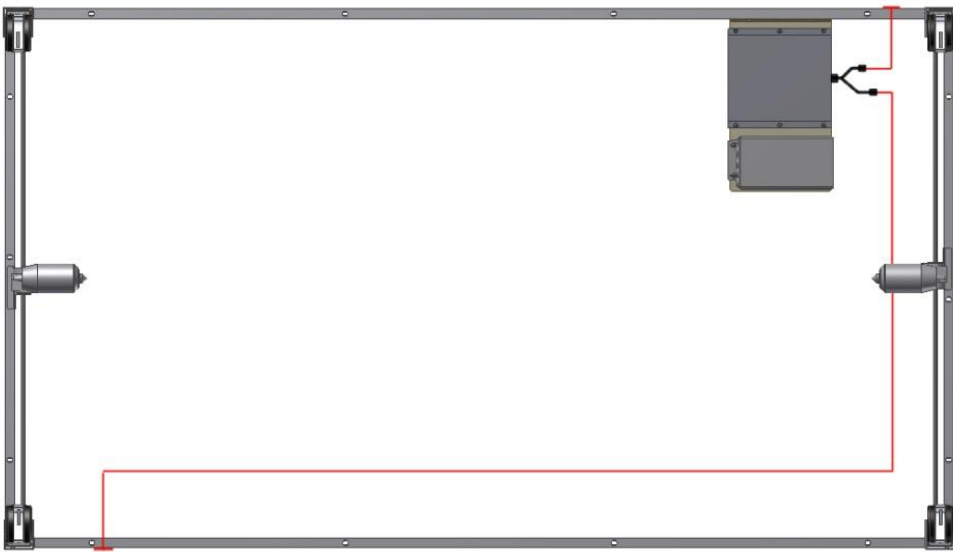
Picture 5-8: Mounting the battery pack.



Attach the cables supplied and the existing cables (to motors, anti-crushing strips and controls) as shown in the diagram below.



4.1 Installing the control



5 Replacement instructions

5.1 Function test

Once the control has been replaced and before the unit is used, you must always perform a full test of all of the table's functions. The same function test must then always be performed at least once a year by competent personnel:

5.1.1 Before testing the battery:

1. Check that the installation instructions have been followed.
2. Check that all bolt connections are securely tightened.
3. Check that all cables have been connected correctly and that the plugs have been pushed in completely.
4. There must be no load on the table.
5. There must not be any objects or the like that might prevent the table from moving within the height setting range.

5.1.2 Now switch on the battery:



The battery has no standby consumption. This means that in order to operate the table, the button needs to be pressed twice, the first time in order to activate the battery.

6. Press the DOWN button and lower the table to the lowest position. Press the DOWN button once more and hold it down for an additional 5 seconds to reset the control box. Check that the movement takes place in an even, controlled way.
7. Now press the UP button and raise the table to the highest position, and make sure that this takes place in an even, controlled way.
8. If anti-crushing strips are attached beneath the table top, these must be tested.

Press the DOWN button and allow the table to move 2-5 cm while enabling the anti-crushing strip at the same time. The table will now stop its downward movement, move 1-2 cm upwards and stop.

Once all the above items have been checked, you can use the table.

See section 9, "Safe operation".

6 Safety

For optimal use of the battery pack's functions and to avoid accidents, it is important to act in accordance with these basic recommendations.

- The 4Single Battery Pack may only be used by people who have read and understood these instructions.
- The table must not be operated if any fault or damage has occurred.
- Do not overload the table and make sure that the load distribution is correct.
- Tables with a battery pack may not be used in an explosive environment.
- The frame must be free of any load in connection with inspections, service or repairs.
- When installing electricity and water, the national authorities' guidelines must be observed.
- Any modification that might affect the function or structure of the table and the battery pack is not permitted.
- Installation, service and repairs may only be performed by personnel with the appropriate competence.
- If the battery pack is not installed in accordance with the installation instructions, any right to make a claim under warranty may be revoked.
- Only Ropox's original spare parts may be used when replacing parts. If other spare parts are used, any right to make a claim under warranty may be revoked.
- The aforementioned operating time/intermittence may not be exceeded.

7 Maintenance



CAUTION

Under no circumstances must the battery be connected to mains power (i.e. for recharging) while the table is being cleaned and electrical components must not be washed with water.

For safety and operational reasons, we recommend an annual inspection of the frame:

- Check that all bolt connections are securely tightened.
- Check that the table can move freely and without restriction from the lowest position to the highest position without any problems.
- **Resetting the frame:** Press the DOWN button and lower the frame to the lowest position. Press the DOWN button once more and hold it down for an additional 5 seconds to reset the control box. Check that the movement takes place in an even, controlled way.
- Check that all leads are correctly fitted and are undamaged.

Fill in the service form after each inspection. See section 7.1.

Only Ropox's original spare parts may be used when replacing parts. If other spare parts are used, any right to make a claim under warranty may be lost.

7.1 Service forms, operation and maintenance

Service and maintenance Serial no.
Date: _____
Signature: _____
Comments: _____

Service and maintenance Serial no.
Date: _____
Signature: _____
Comments: _____

Service and maintenance Serial no.
Date: _____
Signature: _____
Comments: _____

Service and maintenance Serial no.
Date: _____
Signature: _____
Comments: _____

Service and maintenance Serial no.
Date: _____
Signature: _____
Comments: _____

Service and maintenance Serial no.
Date: _____
Signature: _____
Comments: _____

Faults	Possible solutions
The height of the frame cannot be adjusted (feels difficult to adjust)	<ul style="list-style-type: none"> • Check that the battery is charged. If the battery level is so low that it is recommended that you recharge it, a warning sound will beep for 3 seconds. • Check leads and plug connections between the control box and motors. • Check leads and plug connections between the control box and control button. • Check that the anti-crushing strip is connected. (If no anti-crushing strip is connected, a shorting plug must be connected to the safety shutout lead. • If anti-crushing strips are connected, check that they are not enabled.
The frame does not move smoothly	<ul style="list-style-type: none"> • If the frame does not move smoothly, you must reset it. See section 7, “Maintenance”.
The table does not move when I press the control.	<ul style="list-style-type: none"> • Please note that you must press the same button twice to make the table move. The first time is to enable the battery; the second time you hold down the button for the actual operation.

7.2 Waste disposal

Used equipment must be disposed of in accordance with national legislation. We recommend that the product be dismantled as far as possible so that as much as possible can be reused. Examples of groups into which this product can be sorted: metals, plastic, electrical components, batteries and parts for destruction.

8 CE declaration

8.1 EU Declaration of Conformity

Ropox hereby declares that the following products

50-47013	4Single Battery Pack (rapid)
50-47014	4Single Battery Pack (heavy load)



are classified as class I and conform to the following directives and standards:

8.2 Directives and Standards

For standards and directives with which conformance is achieved, please refer to LogicData, the supplier of the battery pack.

Date: 13-03-2012

A handwritten signature in blue ink, appearing to read 'Tommy Jensen', is written over a horizontal line.

Tommy Jensen
Adm. direktør

9 Complaints

All inquiries concerning complaints must be directed to the distributor representing Ropox on the market in question.

Cf. Ropox General Terms of Sale and Delivery.



Ropox A/S

Ringstedgade 221

DK – 4700 Naestved

Tel.: +45 55 75 05 00 Fax.: +45 55 78 05 50

E-mail: info@ropox.dk

www.ropox.dk